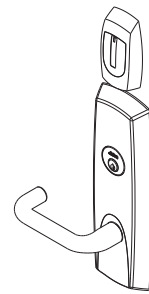


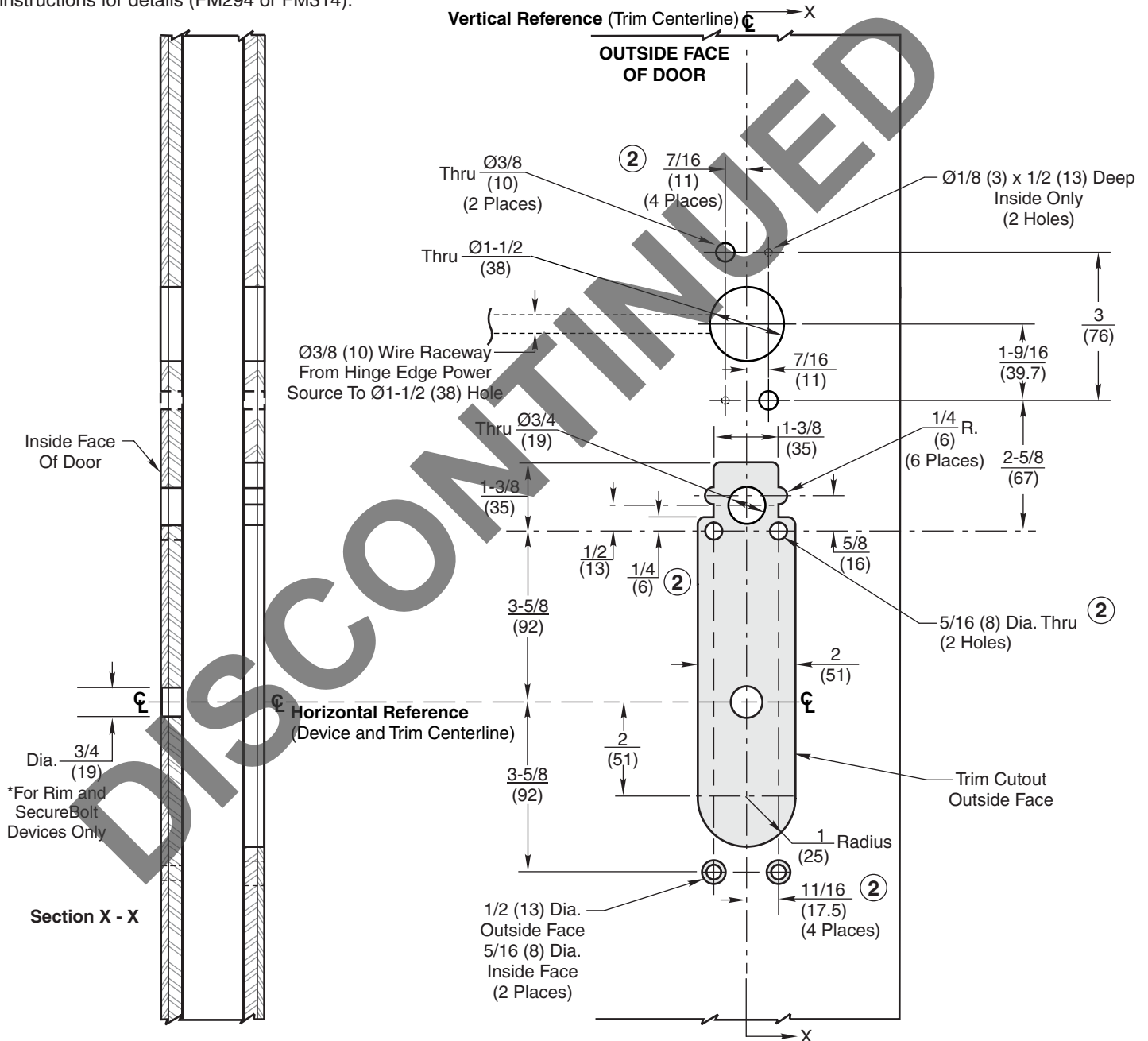
**Notes:**

1. This template is an addition to the device template. Locate centerlines using horizontal and vertical references on device template.
2. Dimensions are in inches (mm).
3. LHR door shown. (RHR opposite)
4. For door reinforcement see template T30800.
5. Prepare mounting holes when installing trim.
6. Provide adequate internal support to prevent door deformation after trim is bolted to the device.
7. Dimensions given about a centerline are symmetrical.
8. Unspecified radius 1/8 maximum.
9. Concealed Door Position Switch p/n:708F989 is included with this product. Use and installation location to be specified by others. See Access 600 installation instructions for details (FM294 or FM314).



9600/9S600 TCRNE Series

Note: Lever design prefix does not affect door prep.



**Access 600® TCRNE  
9600 and 9S600 Series Trim  
for ED5000N Series Exit Devices  
Metal Door Preparation**



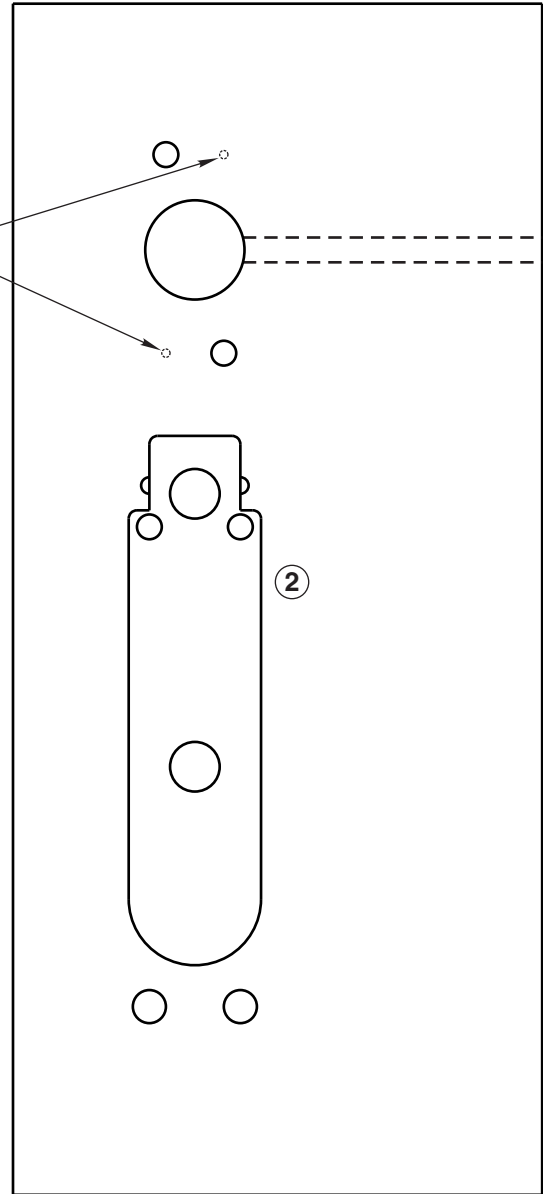
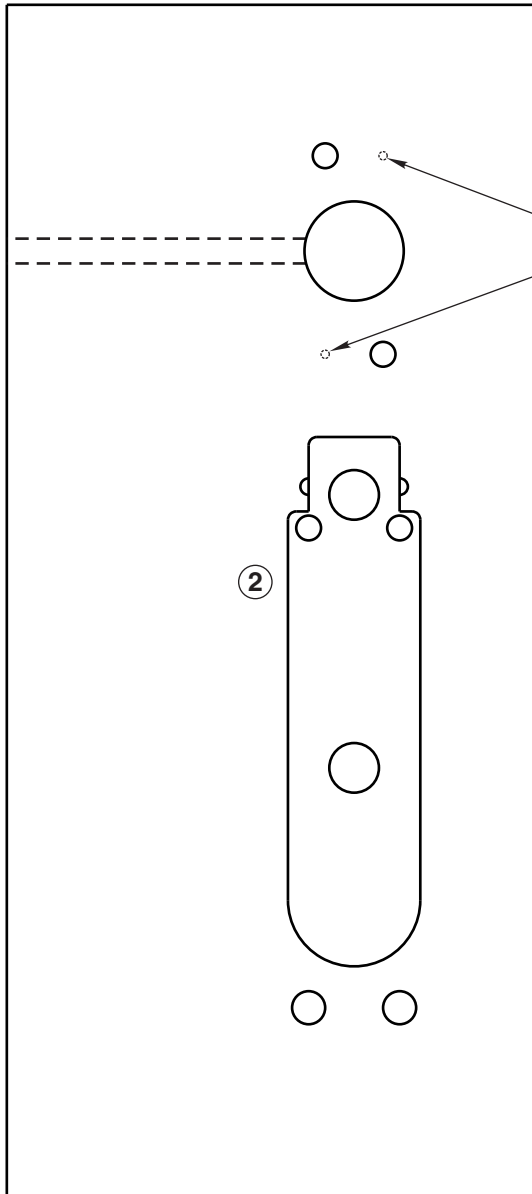
**ASSA ABLOY**

www.corbinrusswin.com

SUPERSEDES	T31072-1	DO NOT SCALE DRAWING
TEMPLATE NUMBER	T31072-2	SHEET
		DATE
		10-14

# LHR Door

# RHR Door



Inside Face of Door ONLY

## Access 600<sup>®</sup> TCRNE 9600 and 9S600 Series Trim for ED5000N Series Exit Devices Metal Door Preparation



**ASSA ABLOY**

[www.corbinruswin.com](http://www.corbinruswin.com)

SUPERSEDES	T31072-1	DO NOT SCALE DRAWING
TEMPLATE NUMBER	T31072-2	SHEET 2 of 2 DATE 10-14