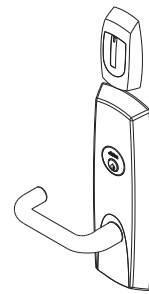


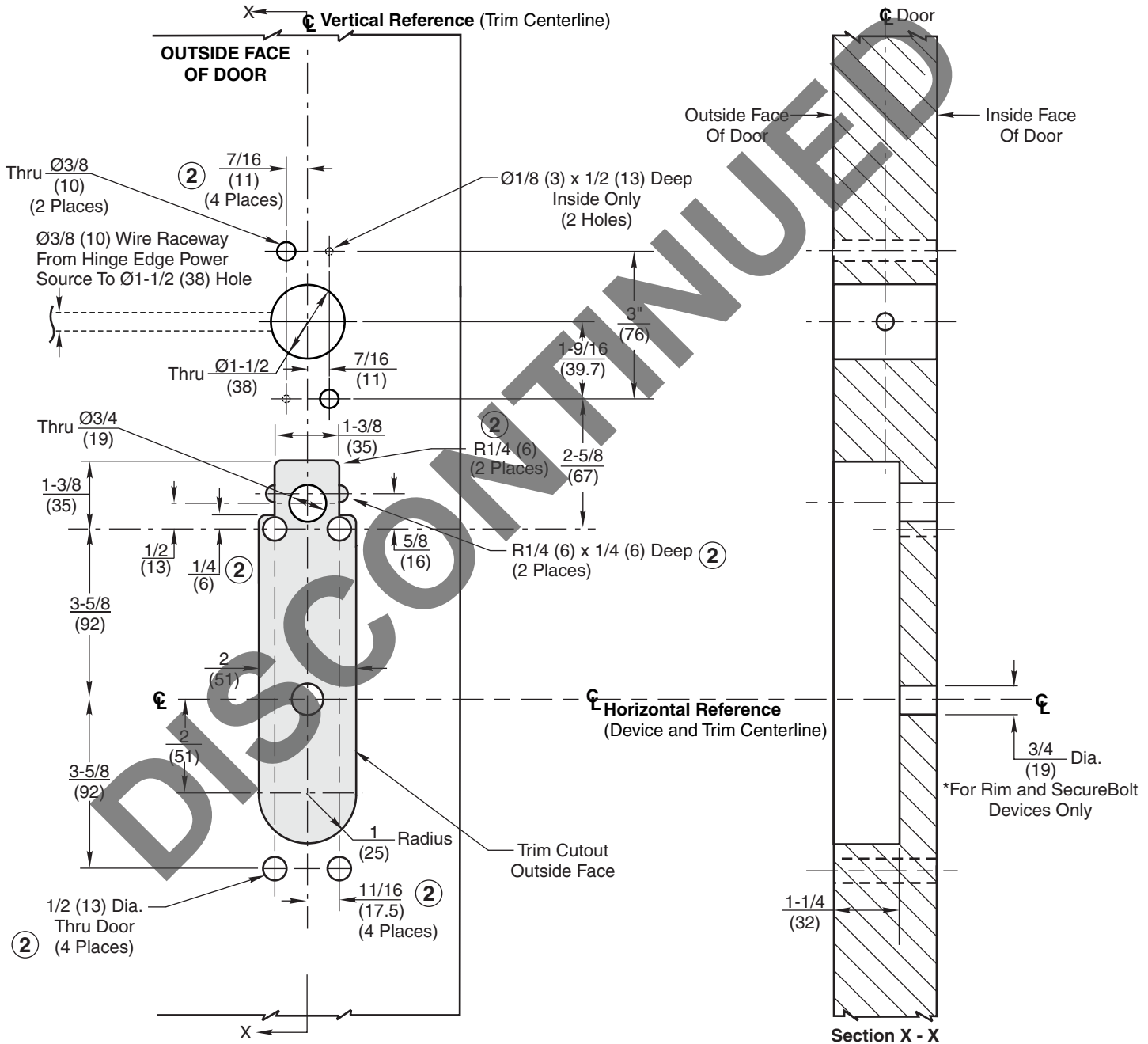
Notes:

1. This template is an addition to the device template. Locate centerlines using horizontal and vertical references on device template.
2. Dimensions are in inches (mm).
3. LHR door shown. (RHR opposite)
4. Provide adequate structural support to maintain door integrity during operation.
5. Prepare mounting holes when installing trim.
6. Dimensions given about a centerline are symmetrical.
7. Unspecified radius 1/8 maximum.
8. Concealed Door Position Switch p/n:708F989 is included with this product. Use and installation location to be specified by others. See Access 600 installation instructions for details (FM294 or FM314).



9600/9S600 TCRNE Series

Note: Lever design prefix does not affect door prep.



**Access 600® TCRNE
9600 and 9S600 Series Trim
for ED5000N Series Exit Devices
Wood or Composite Door Preparation**



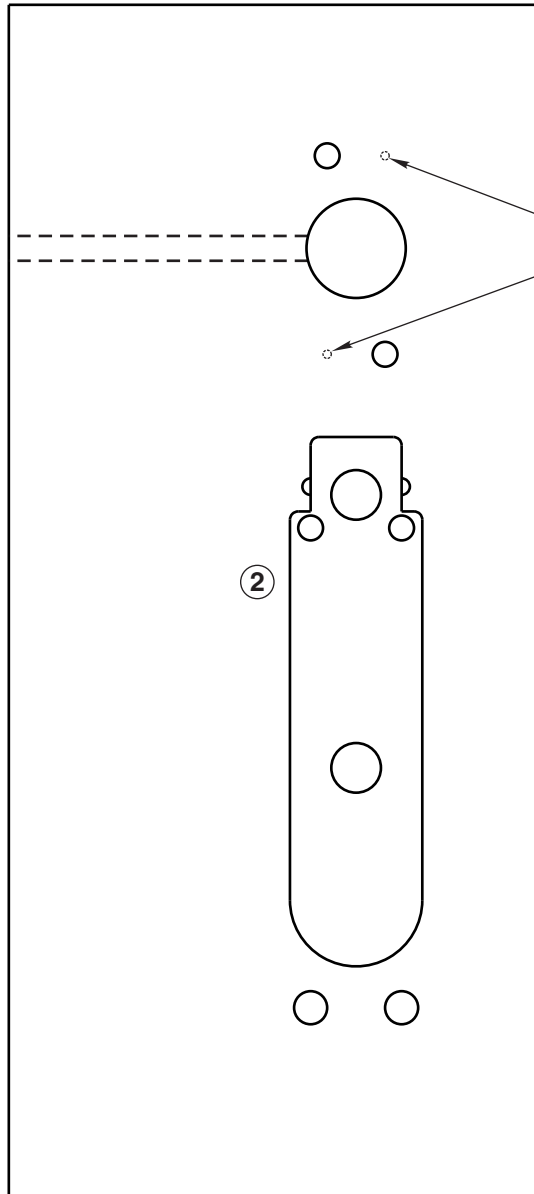
ASSA ABLOY

www.corbinrusswin.com

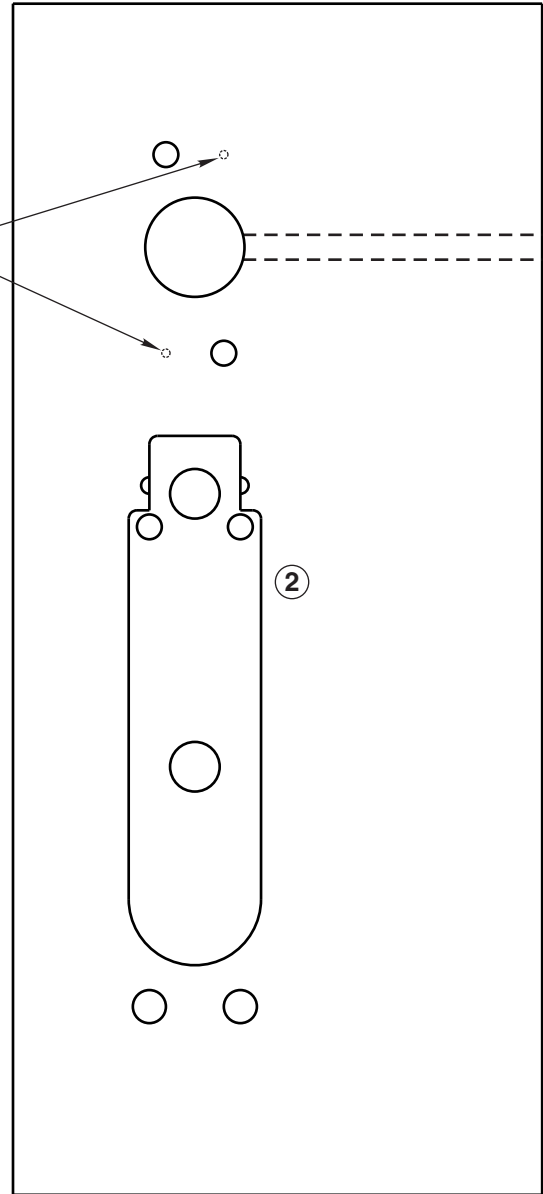
SUPERSEDES	T31073-1	DO NOT SCALE DRAWING
TEMPLATE NUMBER	T31073-2	SHEET 1 of 2 DATE 10-14

LHR Door

RHR Door



Inside Face of Door ONLY



Access 600[®] TCRNE 9600 and 9S600 Series Trim for ED5000N Series Exit Devices Wood or Composite Door Preparation



ASSA ABLOY

www.corbinruswin.com

SUPERSEDES	T31073-1	DO NOT SCALE DRAWING
TEMPLATE NUMBER	T31073-2	SHEET 2 of 2 DATE 10-14