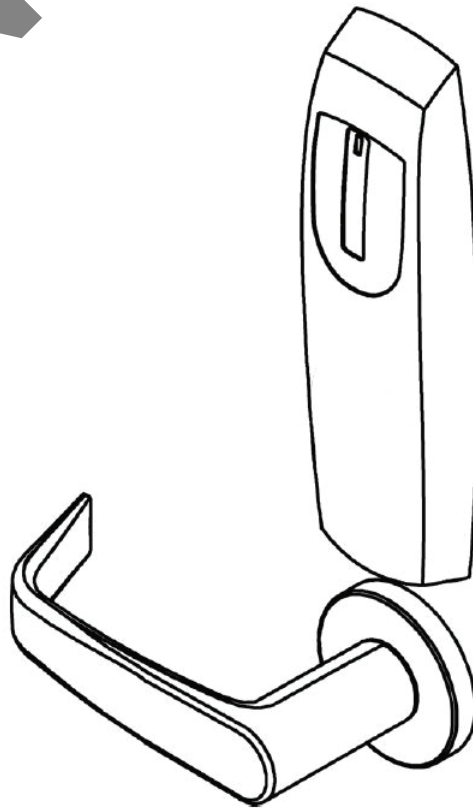


Access 600[®]

FE6600/BL6600/MP6600 Series Multi-Point Lock

TCRNE1 Series with iClass SE[®] Reader Option

DISCONTINUED



WARNING

This product can expose you to lead which is known to the state of California to cause cancer and birth defects or other reproductive harm. For more information go to www.P65warnings.ca.gov.

Installation Instructions

TOC	Table of Contents
1	Warning.....3
2	General Description4
3	Features.....4
4	Regulatory Specifications.....5
5	Wiring Diagrams5
6	Product Illustrations.....8
7	Installation Instructions 10
a	Verify Hand and Bevel of Door 10
b	Door Preparation..... 10
c	Prepare Lock Body (if necessary)..... 11
d	Configure the DIP Switch Settings..... 12
e	Install Lock Body..... 12
f	Outside Escutcheon and Mounting Plate Installation 13
g	Install Inside Gasket (if necessary)..... 14
h	Outside Lever and Inside Adapter Plate Assembly Installation 15
i	Installing Controller 16
j	Install Inside Escutcheon Assembly 18
k	Install Inside Rose and Inside Lever Assembly 18

Installation Instructions

TOC	Table of Contents, continued
I	Attaching Front Plate 18
8	Operational Check..... 19
9	Wiegand Test Unit..... 19

1 Warning

Warning: Changes or modifications to this unit not expressly approved by the party responsible for compliance could void the user’s authority to operate the equipment.

This device complies with Part 15 of the FCC Rules. Operation is subject to the following two conditions: (1) this device may not cause harmful interference, and (2) this device must accept any interference received, including interference that may cause undesired operation.

Note: This equipment has been tested and found to comply with the limits for a Class B digital device, pursuant to Part 15 of the FCC Rules. These limits are designed to provide reasonable protection against harmful interference in a residential installation.

This equipment generates, uses and can radiate radio frequency energy and if not installed and used in accordance with the instructions, may cause harmful interference to radio communications. However, there is no guarantee that the interference will not occur in a particular installation. If this equipment does cause harmful interference to radio or television reception, which can be determined by turning the equipment off and on, the user is encouraged to try to correct the interference by one or more of the following measures:

- Reorient or relocate the receiving antenna.
- Increase the separation between the equipment and receiver.
- Connect the equipment into an outlet on a circuit different from that to which the receiver is connected.
- Consult the dealer or an experienced technician for help.

Contains FCC ID: U4A-SCSEHF

Contains IC: 6982A-SCSEHF

The term “IC:” before the radio certification number only signifies that Industry Canada technical specifications were met. This Class B digital apparatus meets all requirements of the Canadian Interference Causing Equipment Regulations. Operation is subject to the following two conditions: (1) this device may not cause harmful interference, and (2) this device must accept any interference received, including interference that may cause undesired operation.

Cet appareillage numérique de la classe B répond à toutes les exigences de l’interférence canadienne causant des règlements d’équipement. L’opération est sujette aux deux conditions suivantes: (1) ce dispositif peut ne pas causer l’interférence nocive, et (2) ce dispositif doit accepter n’importe quelle interférence reçue, y compris l’interférence qui peut causer l’opération peu désirée.

To comply with “Fire Listed” doors, the batteries must be replaced with alkaline batteries only.

To avoid possible damage from electrostatic discharge (ESD), some basic precautions should be used when handling electronic components:

Installation Instructions

1

Warning, continued



- Minimize build-up of static by touching and/or maintaining contact with unpainted metal surfaces such as door hinges, latches, and mounting plates especially when mounting electronic components such as readers and controllers onto the door.
- Leave components (reader and controller) protected in their respective anti-static bags until ready for installation.
- Do not touch pins, leads or solder connections on the circuit boards.

*Any retrofit or other field modification to a fire rated opening can potentially impact the fire rating of the opening, and Corbin Russwin, Inc. makes no representations or warranties concerning what such impact may be in any specific situation. When retrofitting any portion of an existing fire rated opening, or specifying and installing a new fire-rated opening, please consult with a code specialist or local code official (Authority Having Jurisdiction) to ensure compliance with all applicable codes and ratings.

2

General Description

The Corbin Russwin Access 600® TCRNE1 Series multi-point lock is designed to interface with existing Wiegand Electronic Access Control (EAC) panels. The reader requires 12 or 24VDC for power and is compatible with HID® iCLASS SE® 13.56 technology. The Access 600 technology is designed around Corbin Russwin's Grade 1 hardware.

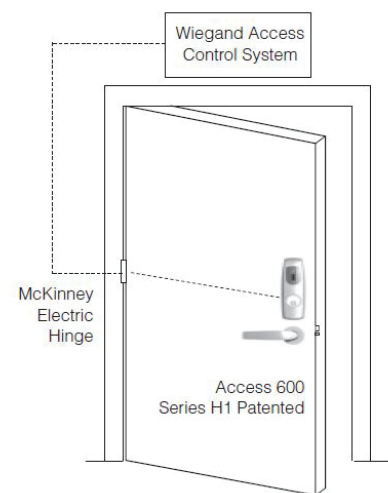
The multi-point lock comes with complete door monitoring which is all integrated inside the lockbody and is available in 12VDC or 24VDC.

Weather seal gaskets are also included for outdoor applications. The Access 600 reader provides visual (LED) and audible indication of lock state (locked/unlocked).

3

Features

- Latch: Stainless steel, 3/4" projection, one-piece
- Deadbolt: One-piece hardened stainless steel
- Guardbolt: Stainless steel, non-handed
- Handed: Easily field reversible without opening case
- Case: 12 gauge heavy duty wrought steel
- Outside lever controlled by 13.56MHz HID iCLASS SE credential
- Field-selectable to Fail Safe or Fail Secure
- Door position switch within lock body
- Inside lever provides RX signal and retracts latch and deadbolt
- Lock to be configured* as Fail Safe or Fail Secure per AHJ compliance as part of initial lock configuration
- Locks furnished for 1-3/4" doors. Other door thicknesses require confirmation with factory.



- Supported credentials:
 - iCLASS®
 - CLASS SE® (SIO-enabled)
 - iCLASS® Seos®
 - HID SIO on MIFARE® Classic
 - HID SIO on MIFARE DESFire® EV1
 - NFC-enabled mobile phones

Installation Instructions

4

Regulatory Specifications

12/24VDC System

- Reader Draw = 150mA @12VDC/24VDC
- Actuator Draw = 400mA inrush/15mA continuous @12VDC/24VDC
- Solenoid Draw = 500 mA @12VDC
250 mA @24VDC
- Total System Draw = 550mA @12VDC / 24VDC
- UL and CUL listed for use on Fire Doors

Wiring methods shall be in accordance with the National Electrical Code (ANSI/NFPA70), CSA 22.1, Canadian Electrical Code (CEC), Part I, Safety Standard for Electrical Installations, local codes, and the authorities having jurisdiction.

5

Wiring Diagrams

Product	8 PIN CONNECTOR								4 PIN CONNECTOR			
	1 Black	2 Red	3 White	4 Green	5 Orange	6 Blue	7 Brown	8 Yellow	1 Violet	2 Gray	3 Pink	4 Tan
ACCESS CONTROL DEVICES: Access 600 FE6600/BL6600/MP6600 Multi-point, ElectroLynx wire Color / Function assignments												
Corbin Russwin FE 6600 BL6600 MP6600 Multi-point	12/24VDC (Reader)		WIE- GAND	WIE- GAND	RX	RX	EGND	LED	12/24 VDC (LOCK RELAY)		DPS (NC)	DPS (COM)
	NEG	POS	DATA_1	DATA_0	NO/NC	COM	REF. *DIA- GRAMS	REF. *DIA- GRAMS	NEG	POS	DPS	DPS
	Cylindrical/ Exits	NEG	POS	DATA_1	DATA_0	NO			COM	NEG	POS	-

See page 7 for diagram.

If your lock is configured with End of Line Resistors, reference instruction sheet FM406 for the wiring of RX & DPS outputs.

Reader LED Configuration

The Access 600 series reader can be configured for (3) modes of LED operation.

Call 1-800-810-WIRE for details.

Mode 1:

- Red LED 'ON' when powered.
- Presenting a valid credential will cause LED to 'FLICKER' green and return to red state.

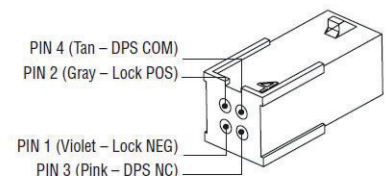
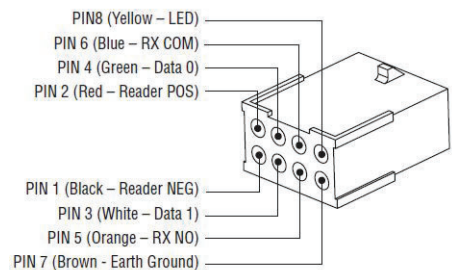
Mode 2:

- Green LED "ON" when powered.
- (No Flicker) after presenting valid credential.

NOTE: LED wire must be connected to circuit GROUND of the system's power supply.

Mode 3:

- EAC Panel controls LED operation.



5

Wiring Diagrams, continued

NOTE: Control of LED is a function of the EAC panel equipment (i.e. relay) to toggle between green and red.

NOTE: When LED wire is tied directly into EAC panel relay, no AC signals should be applied on wire - door reader performance will be impacted.

Wire from EAC panel to door must be shielded with drain terminated at EAC panel controller.

Wire Gauge Charts

Total One-Way Length of Wire Run (ft)	Load Current @ 12VDC							
	1/4A	1/2A	3/4A	1A	1-1/4A	1-1/2A	2A	3A
100	20	18	16	14	14	12	12	10
150	18	16	14	12	12	12	10	—
200	16	14	12	12	10	10	—	—
250	16	14	12	10	10	10	—	—
300	16	12	12	10	10	—	—	—
400	14	12	10	—	—	—	—	—
500	14	10	10	—	—	—	—	—
750	12	10	—	—	—	—	—	—
1,000	10	—	—	—	—	—	—	—
1,500	10	—	—	—	—	—	—	—

Total One-Way Length of Wire Run (ft)	Load Current @ 24VDC							
	1/4A	1/2A	3/4A	1A	1-1/4A	1-1/2A	2A	3A
100	24	20	18	18	16	16	14	12
150	22	18	16	16	14	14	12	10
200	20	18	16	14	14	12	12	10
250	18	16	14	14	12	12	12	10
300	18	16	14	12	12	12	10	—
400	18	14	12	12	10	10	—	—
500	16	14	12	10	10	—	—	—
750	14	12	10	10	—	—	—	—
1,000	14	10	10	—	—	—	—	—
1,500	12	10	—	—	—	—	—	—

5

Wiring Diagrams, continued

Typical FE6600/BL6600/MP6600 x M812 Series Multi-point Lock Application Diagram (12/24VDC Lock)

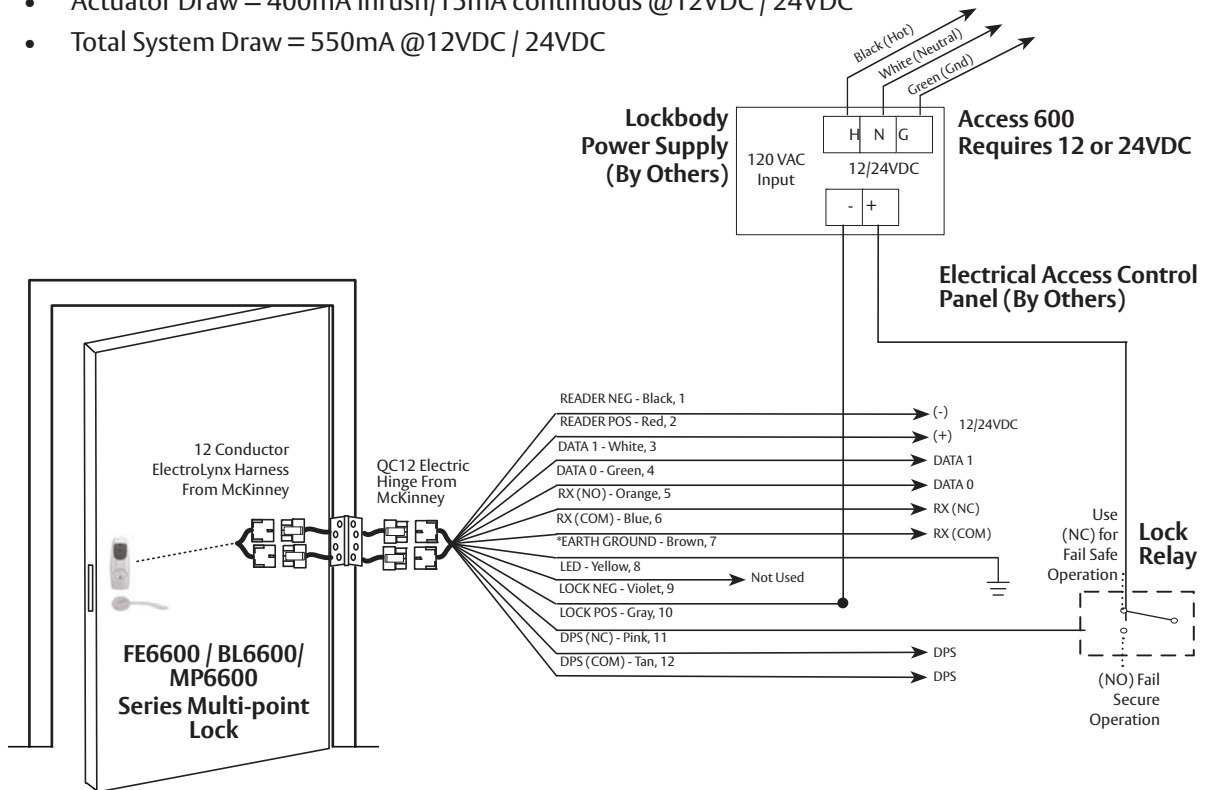
Standard Application Shown.

For Alternative Applications Contact 1-800-810-WIRE (9473).

Reader Electronics Require 12 or 24VDC Power Supply

12/24VDC System

- Reader Draw = 150mA @12 or 24VDC
- Actuator Draw = 400mA inrush/15mA continuous @12VDC / 24VDC
- Total System Draw = 550mA @12VDC / 24VDC



***IMPORTANT:**

Pin 7 must be tied to ground in the access control panel.

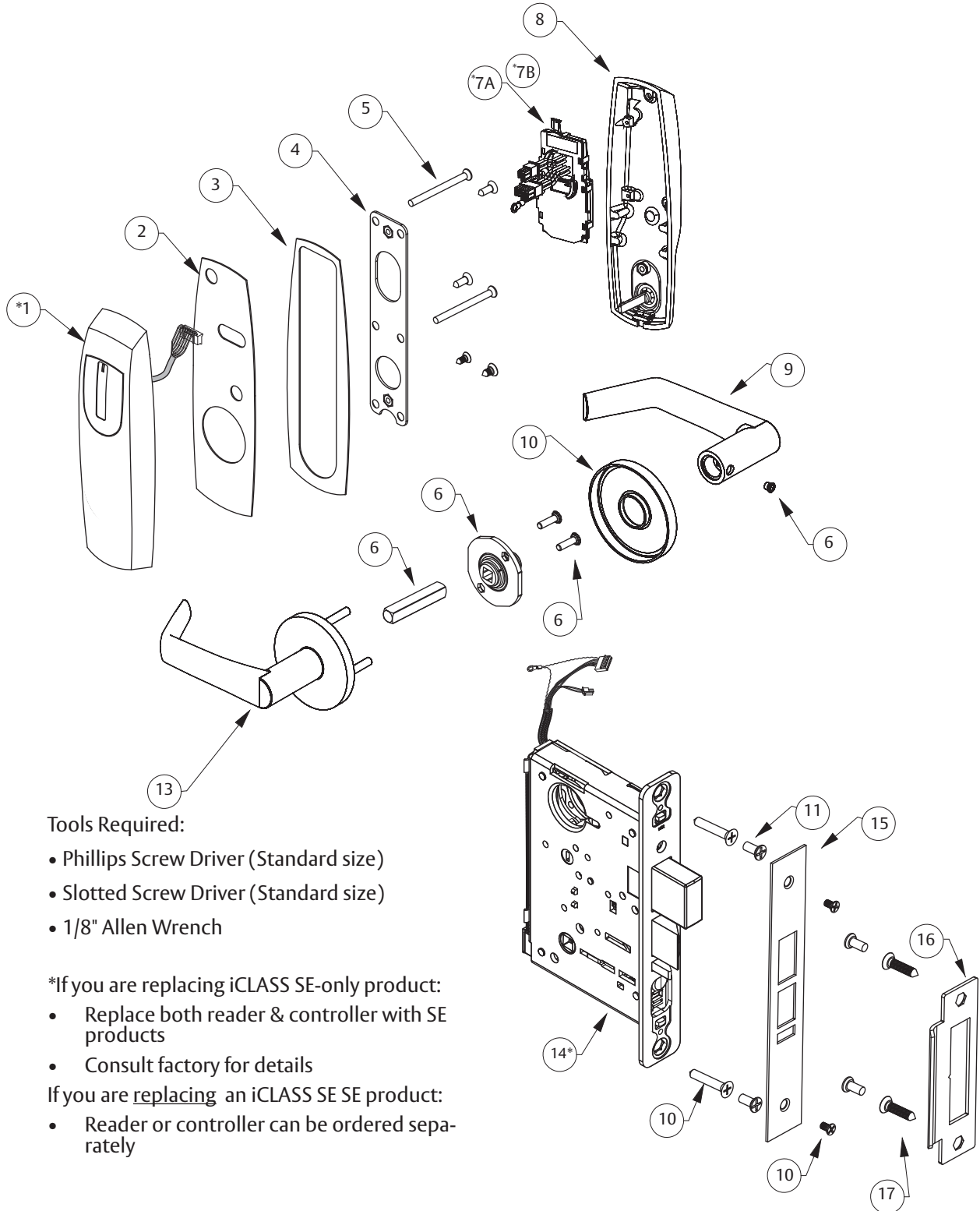
Failure to follow proper ESD safe grounding procedures could lead to equipment failure.

NOTE:

If your lock is configured with End of Line Resistors, reference instruction sheet FM406 for the wiring of RX & DPS outputs.

6

Product Illustrations



Tools Required:

- Phillips Screw Driver (Standard size)
- Slotted Screw Driver (Standard size)
- 1/8" Allen Wrench

*If you are replacing iCLASS SE-only product:

- Replace both reader & controller with SE products
- Consult factory for details

If you are replacing an iCLASS SE SE product:

- Reader or controller can be ordered separately

6

Product Illustrations, continued

Lever Hand Reverse Door, continued

Item	Description	Req.
*1	Outside Access 600 Escutcheon/Reader	1
2	Outside Weather Gasket	1
3	Inside Weather Gasket	1
4	Inside Mounting Plate	1
5	Screw Pack (5A; 5B; 5C; 5D)	1
6	Trim Pack - Standard levers	1
	Trim Pack - Muséo levers	
*7A	Standard controller	1
*7B	GE IA-02 Controller Assembly - iCLASS SE only	1
8	Inside Escutcheon w/ Turn Assembly	1
9	Reference Access 600 Series Catalog For Available Lever Styles	1
10	Reference Access 600 Series Catalog For Available Rose Styles	1
11	Mortise screw pack - specify finish (includes: wood & metal lock body screws, faceplate screws & strike screws)	
12	Reference Access 600 Series Catalog For Available Lever Styles	1
*14	w/ Deadbolt, Fail Safe	1
	w/ Deadbolt, Fail Secure	
	w/ Deadbolt, Fail Safe	
	w/ Deadbolt, Fail Secure	
15	Electrical Outside Faceplate	1
16	Strike Plate	1
17	#12 X 1 1/4" Phillips Flat Head Wood Screw	2

Patent pending and/or patent - www.assaabloydss.com/patents.

Installation Instructions

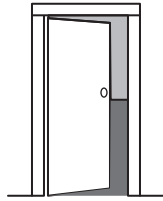
7

Installation Instructions

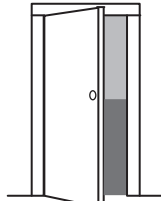
a

Verify Hand and Bevel of Door

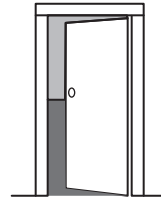
Stand on outside of locked door when determining door hand.



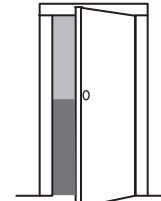
LH
Left Hand
Hinges Left
Open Inward



LHRB
Left Hand
Reverse Bevel
Hinges Left
Open Outward



RH
Right Hand
Hinges Right
Open Inward



RHRB
Right Hand
Reverse Bevel
Hinges Right
Open Outward

b

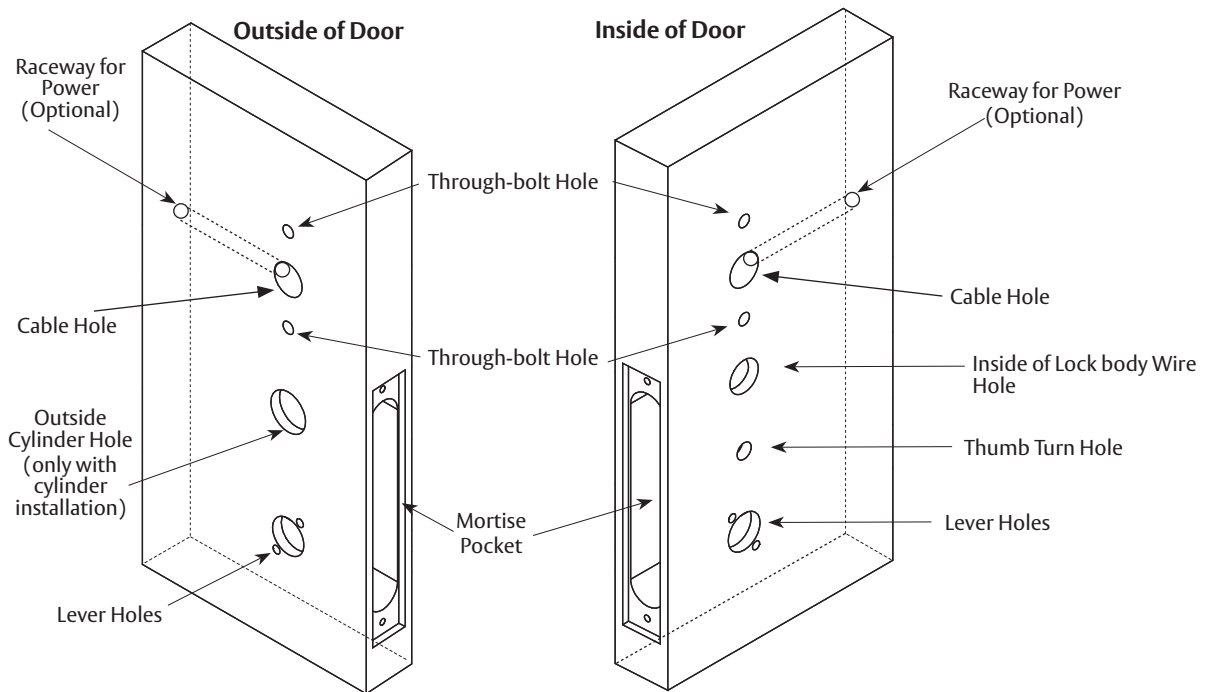
Door Preparation

Prepare door according to appropriate template. If necessary, refer to website: www.intelligentopenings.com

- Prior to installation, make sure all holes are free of burrs, debris and sharp edges.
- If doors are not properly reinforced per ANSI 115.2, commercially available reinforcements should be installed.

Templates:

- Field: **FM442** template ships with product.
- Manufacturer: **4740** metal and wood door.



Installation Instructions

7

Installation Instructions, continued

c

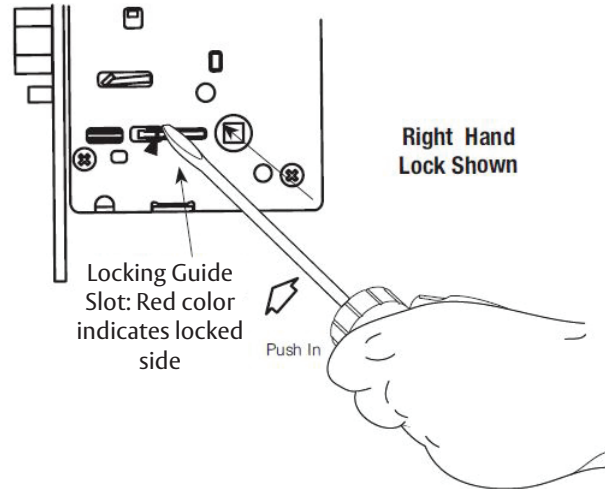
Prepare Lock Body (if necessary)

Reverse Lock Hand

Red surface of locking piece must face the outside/locked side of door.

1. To rotate locking piece, position lock body with red surface of locking piece visible. See figure to the right.
2. Insert blade type screwdriver into locking piece slot to rotate locking piece toward back of lock body.
3. Rotate the locking piece 180° until RED surface is on opposite side.

NOTE: Red indicates locked side (outside).

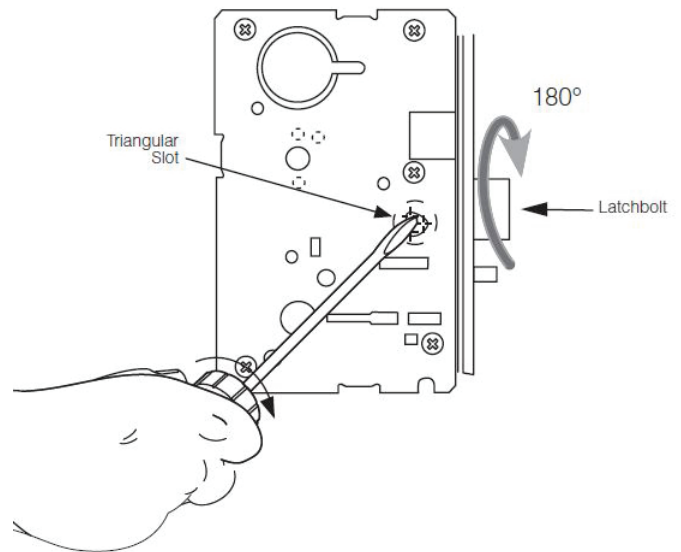


The beveled surface of the latch must face the strike. See image to the right. The dead latch is self adjusting.

To change hand of the latchbolt:

1. Insert screwdriver into the spade shaped slot.
2. Rotate the screwdriver 90° to push the latch out until the back of the latch clears the lock front.
3. Rotate the latch 180°. The latch will then re-enter the lock body.

NOTE: The latch cannot be unscrewed.



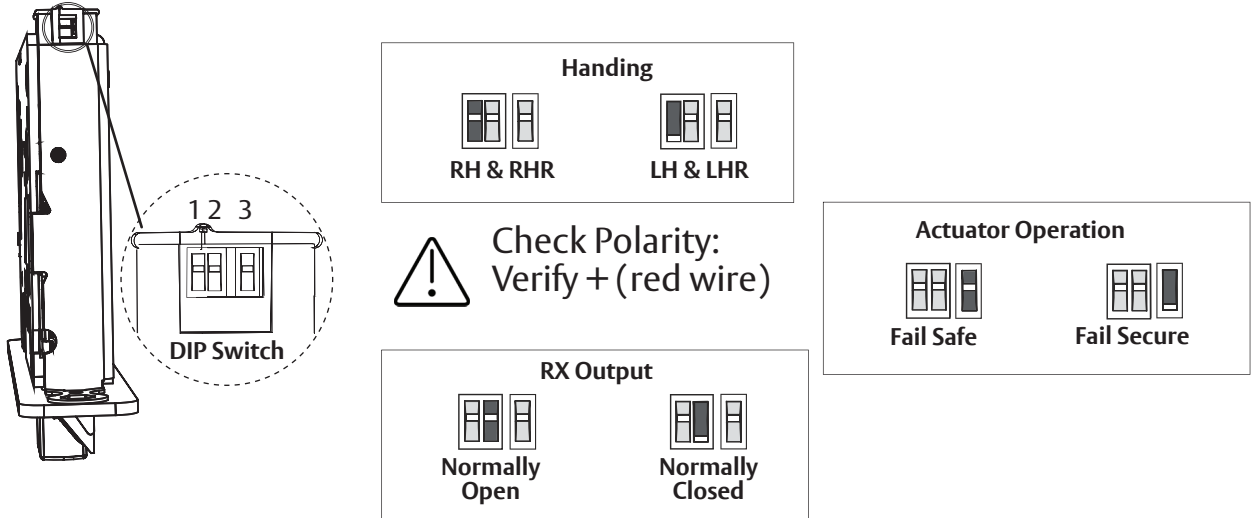
7

Installation Instructions, continued

d

Configure the DIP Switch Settings

IMPORTANT: This product is built and factory tested to the configuration specified. Any change to the 3-position DIP-switch settings located at the bottom of the mortise lock body must be made prior to lock installation.



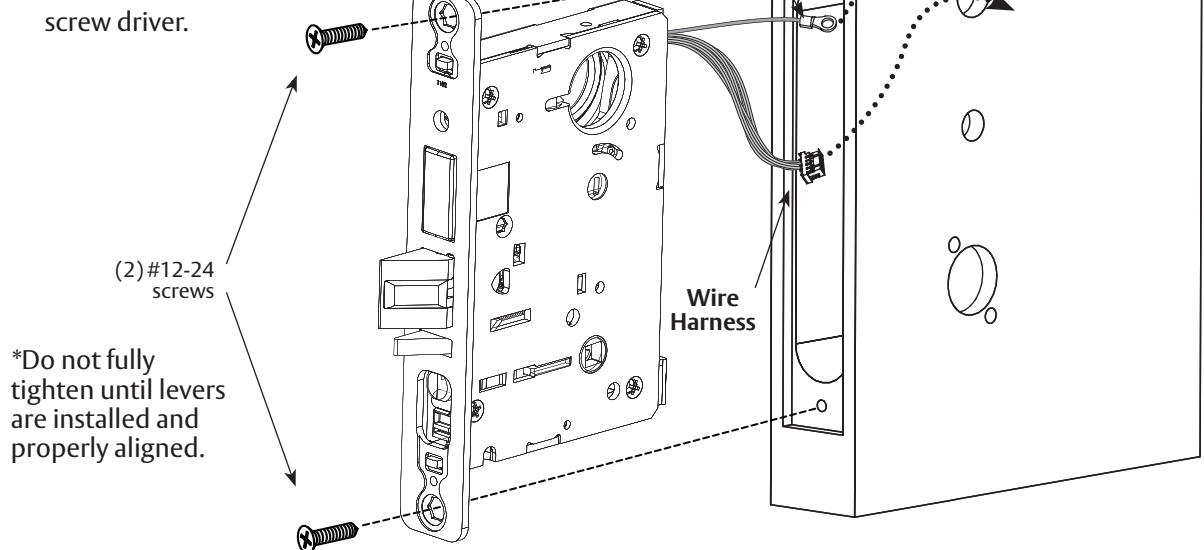
e

Install Lock Body

NOTE: Do not pull the lock into the pocket using the harness alone.

Ensure that the wire harness is not pinched between the lock and the mortise pocket.

1. Feed the wire harness into the mortise pocket and through inside preparation hole as shown below.
2. Carefully push the lock body into the pocket while lightly applying tension to the wire harness.
3. Insert (2) #12-24 screws into the lock body and tighten* with a screw driver.



7

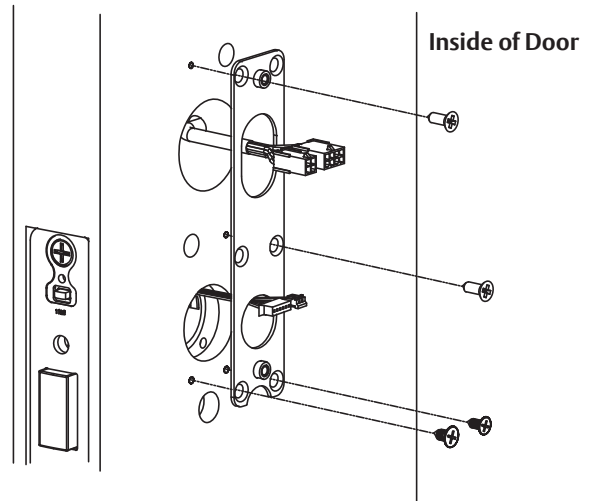
Installation Instructions, continued

f

Outside Escutcheon and Mounting Plate Installation

NOTE: Feed mortise connectors through the corresponding hole on the mounting plate.

1. Attach the mounting plate using (2) #8-32 x 3/8" Phillips flat head undercut combo screws in the upper left and middle right positions of the mounting plate and (2) #8-32 x 3/8" Phillips flat head screws in the bottom positions.
2. Feed the reader cable located on the back of the outside escutcheon through the door prep. Remember, the outside gasket must be used when installing in an outdoor application (Figure 1).
3. Secure the mounting plate to the outside escutcheon with (2) #8-32 x 2" flat head machine screws (Figure 2).



Outside of Door

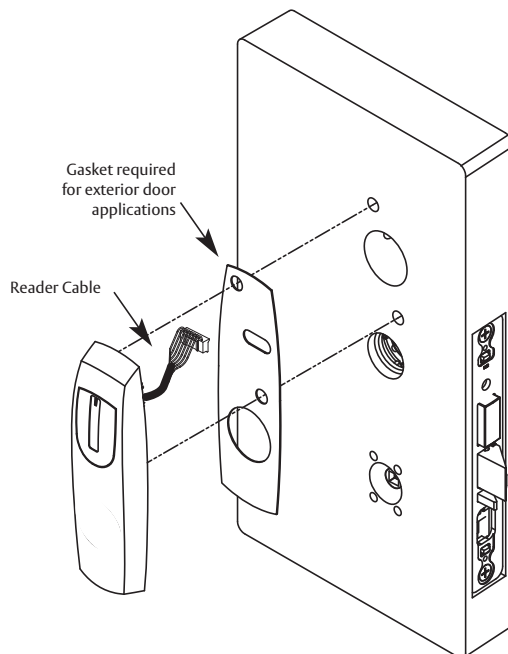


Figure 1

Inside of Door

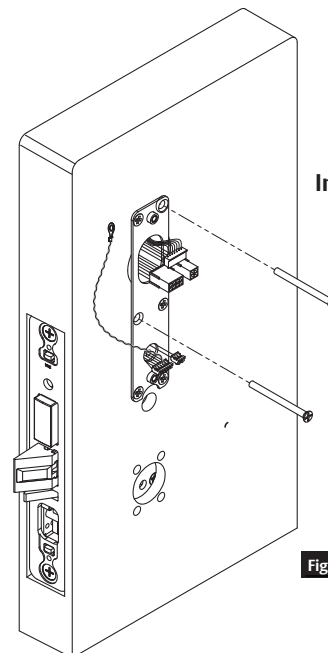


Figure 2

7

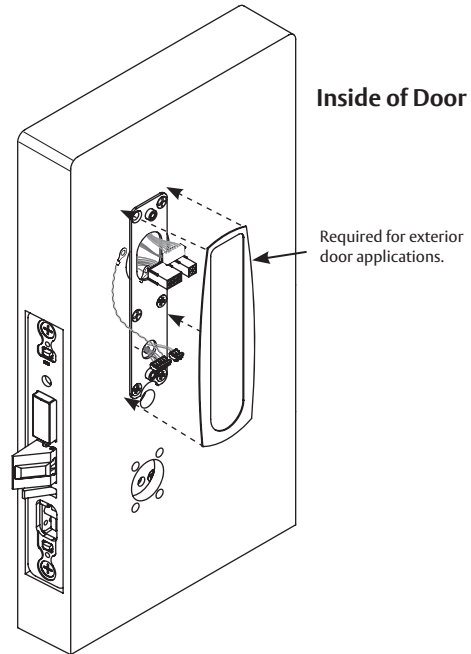
Installation Instructions, continued

g

Install Inside Gasket (if necessary)

Remember to install inside gasket when lock is being used in an outdoor application

- a. Gasket fits snug around plate at top and sides, leaving room for the hole at the bottom.
- b. Remove (peel) backing and place gasket on door.



7

Installation Instructions, continued

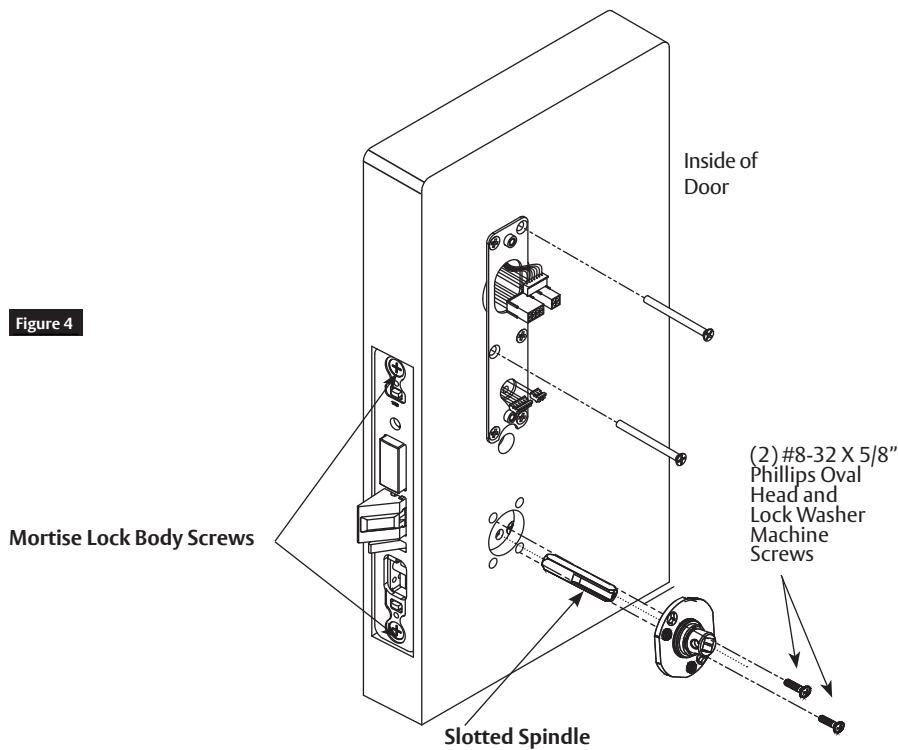
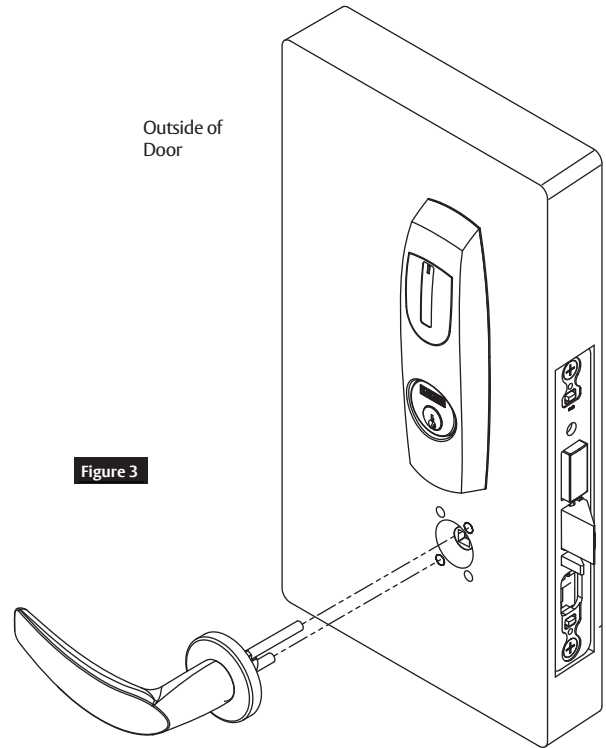
h

Outside Lever and Inside Adapter Plate Assembly Installation

1. With outside lever horizontal, insert the mounting post through outside of door and lock body.
2. Confirm the lever spindle is properly engaged inside the lock body (Figure 3).
3. On the inside of the door, insert slotted spindle into square hole of mortise lock (Figure 4), with spindle slot directed away from the lock body, and aligned with the set screw hole in the inside adapter.
4. Slide inside adapter and plate assembly over spindle and loosely secure with (2) #8-32 X 5/8" Phillips oval head and lock washer machine screws.

NOTE: Ensure that position of set screw hole and spindle slot are oriented to match location of hole in the inside lever handle.

5. Securely tighten the lock body screws.



7

Installation Instructions, continued

i

Installing Controller

Feed controller harness earth ground into and around behind rim of large upper hole of the mounting plate (See Figures 5 and 6).

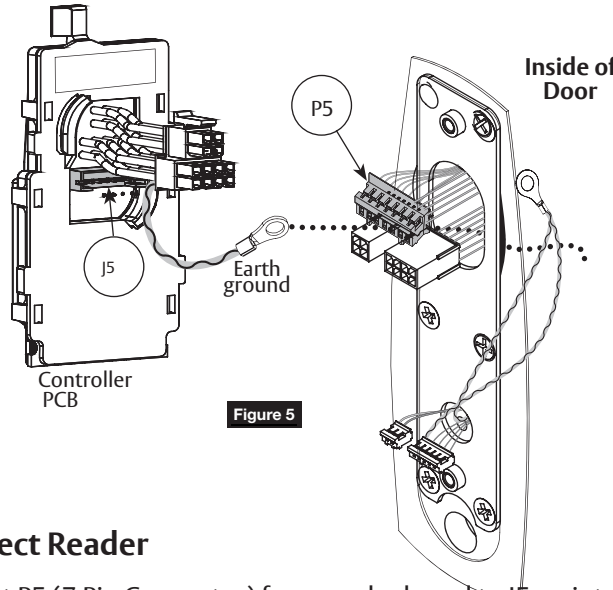


Figure 5

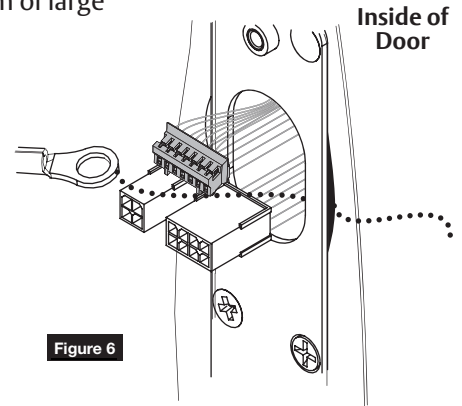


Figure 6

Connect Reader

Connect P5 (7 Pin Connector) from reader board to J5 on interior escutcheon PCB assembly (Figure 7).

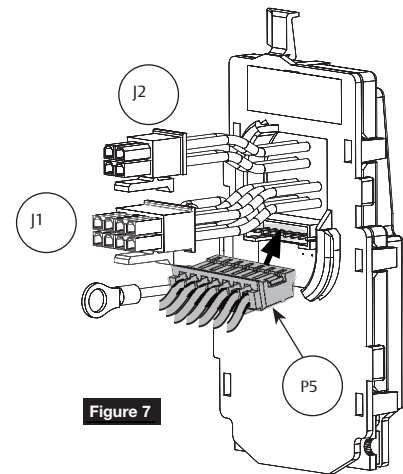


Figure 7

Connect ElectroLynx®

Connect ElectroLynx harness (4 and 8-pin) from door harness to ElectroLynx harness on interior PCB assembly (Figures 5 and 8).

NOTES:

- Neatly fold the wires into the remaining space to prevent pinching wires when mounting escutcheon.
- Do not tuck extra mortise lock body wires back inside the lock body cylinder hole.
- Connectors go on only one way.
- Do not offset connector and be sure they are completely seated.

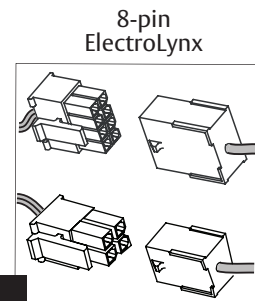


Figure 8

PCB Layout - Wire Assignments - ElectroLynx Assembly (Molex)							
J2		J1					
1-Violet Lock Neg	3-Pink	1- Black	3-White	5-Orange	7-Brown		
Actuator (+)	DPS (NC)	PWR NEG	DATA 1	RX (NO/ NC)	EGND		
Solenoid (-)							
2-Gray Lock Pos	4-Tan	2-Red	4-Green	6-Blue	8-Yellow		
Actuator (+)	DPS (COM)	PWR POS	DATA 0	RX (COM)	LED		
Solenoid (-)							

7

Installation Instructions, continued

i

Installing Controller, continued

Follow these steps prior to installing inside escutcheon to prevent any damage caused by pinching wires:

1. Once wires are arranged, position controller at a rotated angle against the door, under the earth ground wire.
2. Press piece against door while turning clockwise (Figure 9).
3. Twist into place, perpendicular with door (Figure 10).
4. Position green/yellow ground wire ring terminal (from lock body) over hole for top left screw (Figures 10 and 11).
5. Position green/yellow reader harness earth ground on top of ground ring and thread both with (1) #8-32 x 3/8" Phillips flat head undercut combo screw (Figures 10 and 11).

IMPORTANT: Note orientation of ground ring terminals in the figures below.

6. Tighten securely.

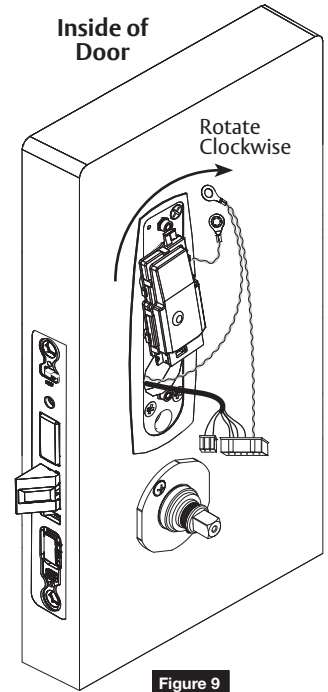


Figure 9

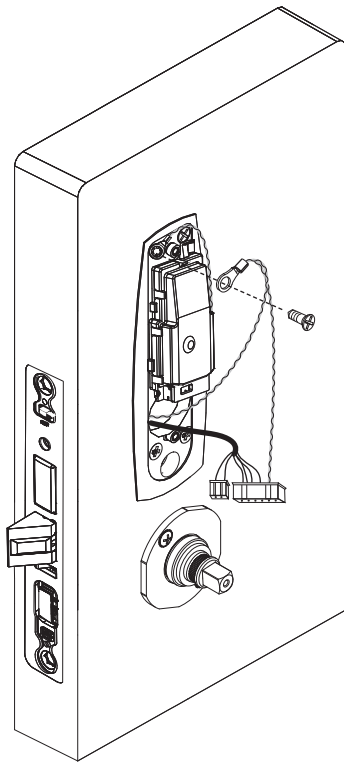


Figure 10

(2) 8-32 x 3/8" Phillips Flat Head Undercut Combo Screw

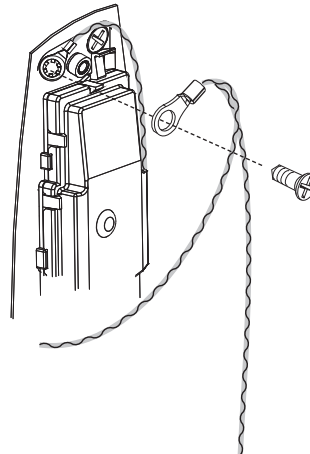


Figure 11

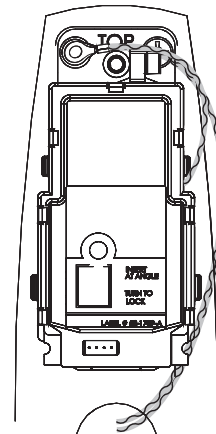


Figure 12

7

Installation Instructions, continued

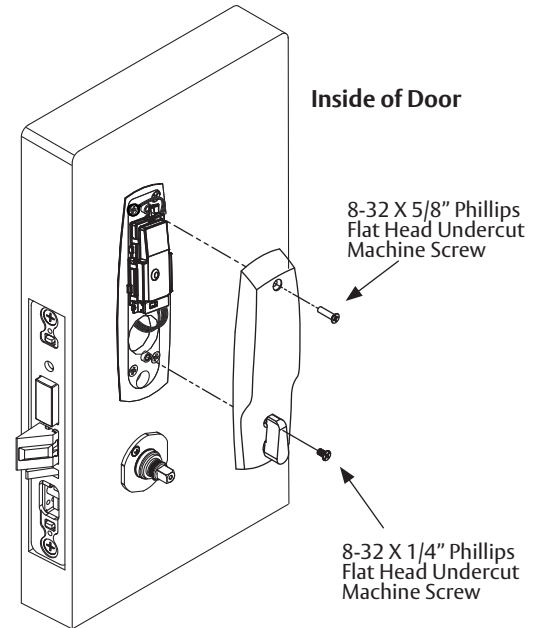
j

Install Inside Escutcheon Assembly

1. Tighten the inside escutcheon securely to the mounting plate with the Phillips flat head machine screws provided. Use the #8-32 x 5/8" for the top of the escutcheon, and the #8-32 x 1/4" screws for the bottom of the escutcheon located under the turn lever.

NOTE: The inside gasket must be used when installing in an outdoor application.

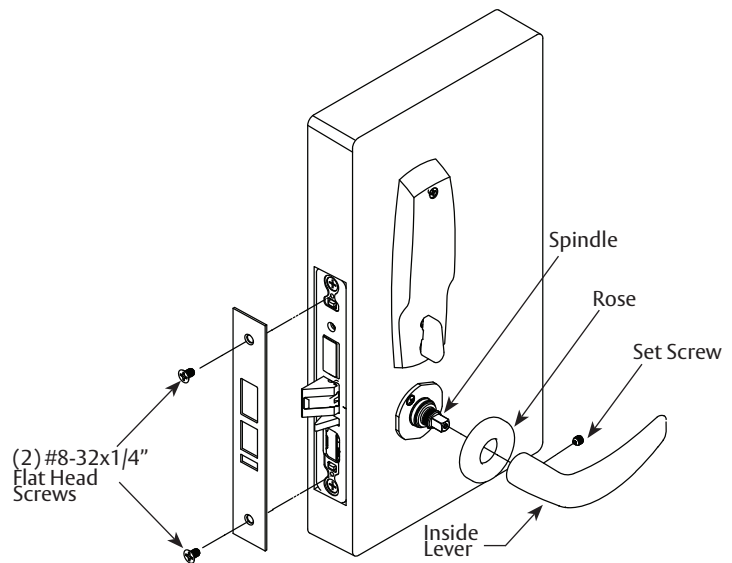
2. Check that the turn assembly is functional, and the deadbolt functions properly.



k

Install Inside Rose and Inside Lever Assembly

1. Rotate the inside rose counter-clockwise to seat the threads, then rotate clockwise to securely tighten.
2. Slide lever handle onto spindle until fully seated. The handle must be horizontal and facing the hinge side of the door.
3. Push lever onto spindle so minimum gap is visible.
4. Tighten the set screw securely with a 1/8" hex wrench.
5. Before closing the door, test that the lever is functional and that both the latchbolt and the deadbolt move without restriction.



l

Attaching Front Plate

Attach front plate with (2) #8-32x1/4" flat head screws and tighten securely.

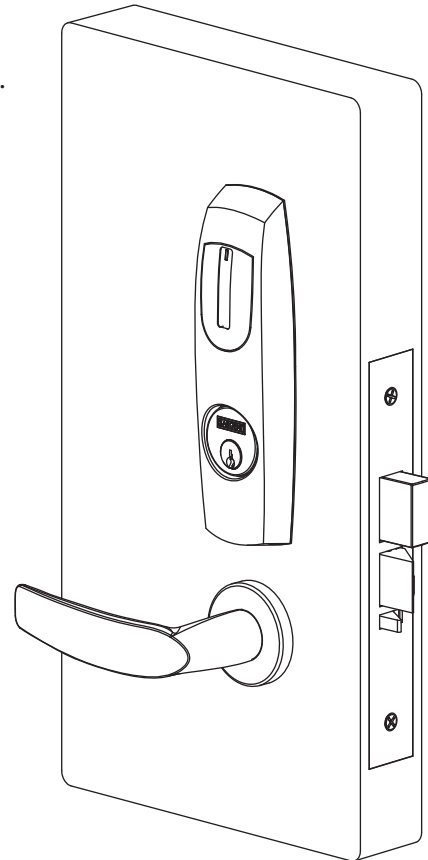
8

Operational Check

1. Close door.
2. Ensure latch and deadbolt fully extend and do not bind.

NOTE: Once electrical wiring has been successfully completed according to proper application, follow the following steps:

3. Turn power ON.
4. Verify LED located on reader is ON (Red or Green depending on reader configuration (See reader LED Configuration)).
5. Present proximity credential and verify LED and sounder activity.
6. Verify valid card read at EAC panel.
7. Verify system operation functions; i.e. , present Prox credential to reader and unlock door.

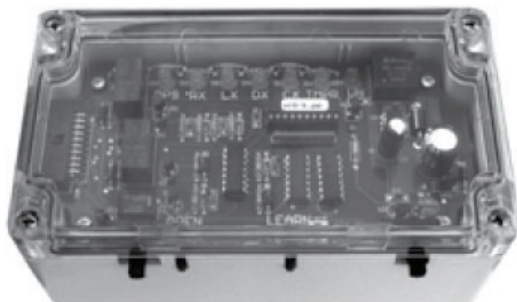


9

Wiegand Test Unit

The ASSA ABLOY Wiegand Test Unit verifies your installation in the field. The test unit checks for proper wiring, card reader data integrity, lock functionality including lock/unlock, door position status, and request-to-exit (REX) status.

In addition, this tool provides product demonstration abilities to highlight the product’s features and capabilities.



Feature	WT1	WT2
12 or 24VDC solenoid lock voltage adjustable	X	X
Operates as Fail Safe or Fail Secure	X	X
"Learn" mode allows testing of specific cards without programming at the panel level	X	X
Card reader data integrity is validated at test unit	X	X
Works with SE LP10	X	X
Displays detailed Wiegand data, including hexadecimal string and total bits received		X
Displays measured end-of-line resistor values (if applicable)		X

The ASSA ABLOY Group is the global leader in access solutions. Every day, we help billions of people experience a more open world.

ASSA ABLOY Opening Solutions leads the development within door openings and products for access solutions in homes, businesses and institutions. Our offering includes doors, frames, door and window hardware, locks, perimeter fencing, access control and service.



Corbin Russwin
225 Episcopal Road
Berlin, CT 06037
Phone: 800-543-3658