

Access 700®

Installation Instructions For ML20700 TCPAC1 Series Mortise Lockset

FM304 10/18

**Corbin
Russwin** 

ASSA ABLOY

In U.S.:
Corbin Russwin, Inc.
225 Episcopal Road
Berlin, CT 06037 USA
www.corbinrusswin.com

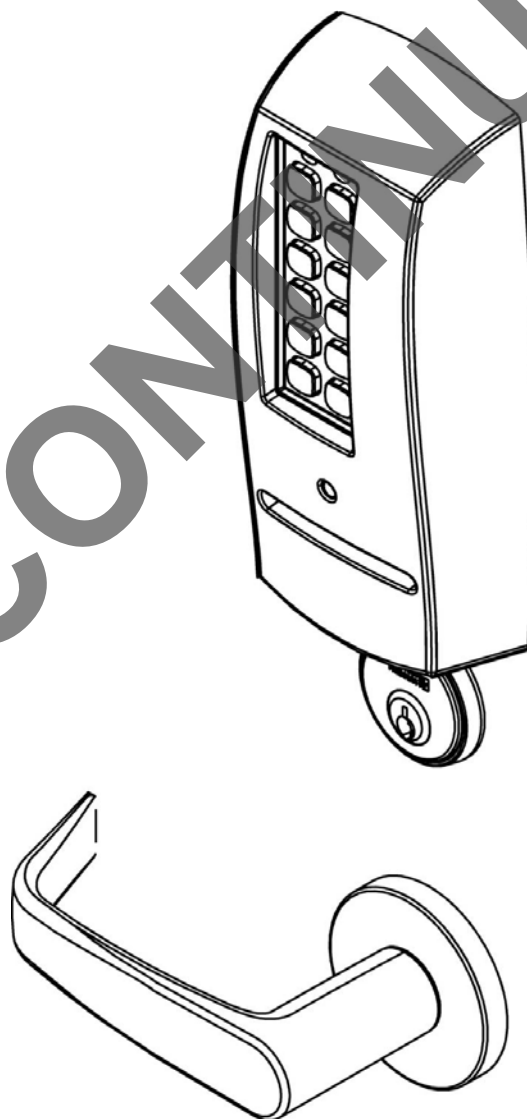
In Canada:
ASSA ABLOY Door Security Solutions Canada
160 Four Valley Drive
Vaughan, Ontario, Canada L4K4T9
www.assaabloy.ca

Attention Installer

Please read these instructions carefully to prevent missing important steps.

Please Note: Improper installation may result in damage to the lock and void the factory warranty.

Important: The accuracy of the door preparation is critical for proper functioning and security of this lock.
Misalignment can cause premature wear and a lessening of security.



 **WARNING**

This product can expose you to lead which is known to the state of California to cause cancer and birth defects or other reproductive harm. For more information go to www.P65warnings.ca.gov.

08/2018

For installation assistance contact Corbin Russwin Inc., at 1-800-810-WIRE (9473)

Table of Contents

	Page
1) Warning.....	2
2) General Description.....	3
3) Specifications/Features.....	3
4) Product Illustration.....	4
5) Installation Instructions.....	5-16

1) Warning

Changes or modifications to this unit not expressly approved by the party responsible for compliance could void the user's authority to operate the equipment.

This device complies with Part 15 of the FCC Rules. Operation is subject to the following two conditions: (1) this device may not cause harmful interference, and (2) this device must accept any interference received, including interference that may cause undesired operation.

Note: This equipment has been tested and found to comply with the limits for a Class B digital device, pursuant to Part 15 of the FCC Rules. These limits are designed to provide reasonable protection against harmful interference in a residential installation. This equipment generates, uses and can radiate radio frequency energy and if not installed and used in accordance with the instructions, may cause harmful interference to radio communications. However, there is no guarantee that the interference will not occur in a particular installation. If this equipment does cause harmful interference to radio or television reception, which can be determined by turning the equipment off and on, the user is encouraged to try to correct the interference by one or more of the following measures:

- Reorient or relocate the receiving antenna
- Increase the separation between the equipment and receiver
- Connect the equipment into an outlet on a circuit different from that to which the receiver is connected
- Consult the dealer or an experienced TV technician for help

This Class B digital apparatus complies with Canadian ICES-003.

Cet appareil numérique de la classe B est conforme avec la norme NMB-003 du Canada.

2) General Description

Designed specifically for the campus market, the Corbin Russwin Access 700 TCPAC1 Series mortise lock provides offline card/PIN access control with both keypad and magstripe card technology (or magstripe only). The reader operates on six (6) "AA" alkaline batteries and may be used for both indoor and outdoor applications. The Access 700 technology is designed around Corbin Russwin's Grade 1 hardware. Weather seal gaskets are included and recommended for all outdoor applications. The Access 700 reader provides visual (LED) and audible indication of lock state (locked/unlocked).

3) Specifications/ Features

- Latch – Stainless Steel (Easily field reversible without disassembling lock body)
- Deadbolt – Stainless Steel
- Door Thickness – 1-3/4" Standard; can be furnished for other door thicknesses upon request. Consult factory.
- Case – 12 gauge heavy duty wrought steel
- Outside lever controlled by keypad/magstripe card, or key retracts latch
- Inside lever retracts latch
- Grade 1; UL Listed
- Card Coercivity: HiCo (400 Oersted) or LoCo (300 Oersted)

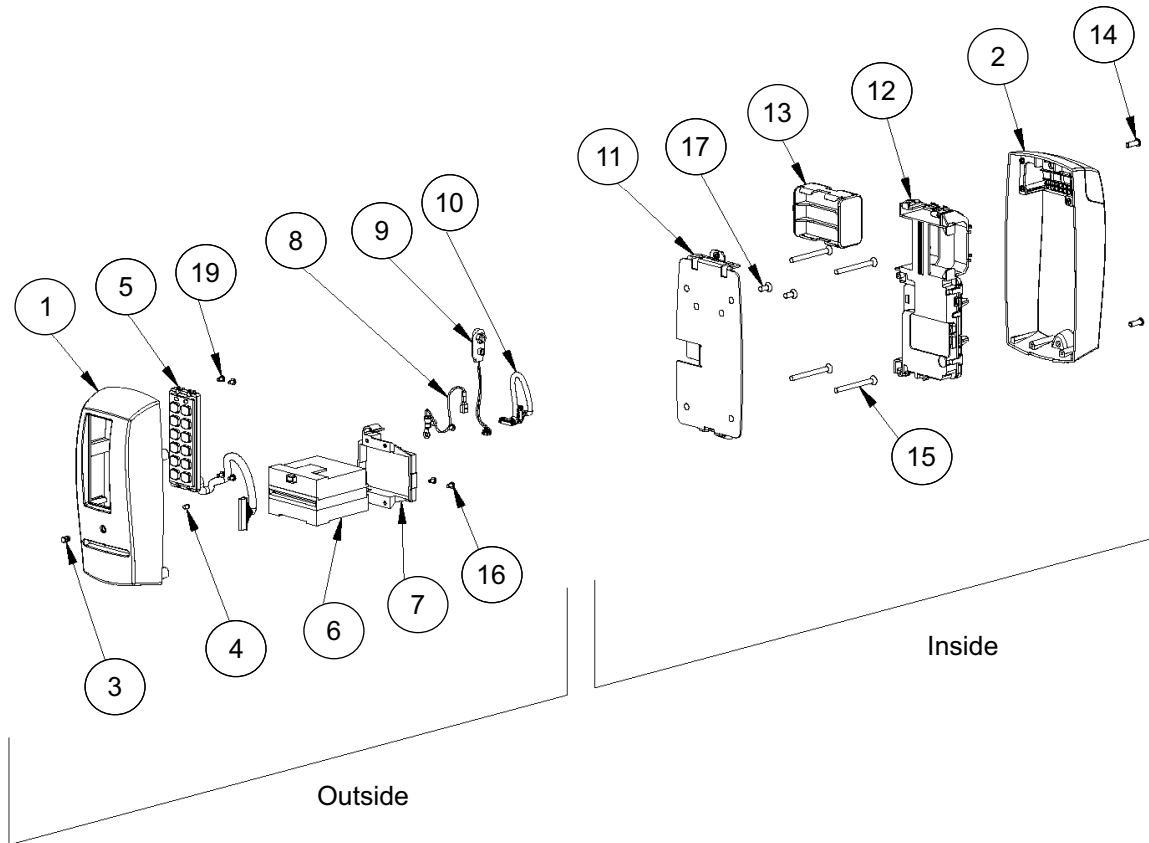
Electrical Specifications:

- 1200 users per door
- 700 event transaction audit trail
- Multiple time zone and holiday access scheduling
- First-In unlock configuration, either by time or by valid time or by user (selectable)
- Input power: DC 9V, 1.5A (6 AA Alkaline Batteries or Electrical Power)

PERSONA Campus Software Features:

- Use existing magstripe ID cards (high or low coercivity)
- New key cards can invalidate and reactivate keycards/users – encoded quickly and easily through the "Conference Guest Wizard"
- Assign pre-defined access patterns and access points as well as key card start and end times (group or individually)

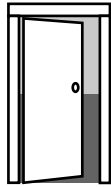
4) Product Illustration



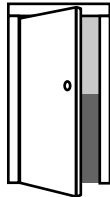
Item	Part Number	Description	Qty.
1	795F125	Escutcheon, O/S, With Keypad, A700 PAC	1
2	795F105	Escutcheon, I/S, A700	1
3	795F069	Light Pipe Lens, A700	1
4	795F059	Light Pipe, A700	1
5	795F039	Keypad Assy, A700	1
6	795F809	Reader, A700 PAC, LCU	1
7	795F449	Mount, LCU	1
8	795F049	Harness, A700 Grounding	1
9	795F019	Harness, A700 Power 9V	1
10	795F009	Harness, A700 PAC, LCU	1
11	795F088	Mounting Plate, I/S A700	1
12	795F809	Electronics Assy, A700 PAC, I/S,	1
13	N/A	Battery Cartridge (part of 795F809)	1
14	795F197	Screw, #8-32x1/2, Torx Pan Head	2
15	323F818	Screw, #8-32x2, Phillips Flat Head Machine	4
16	795F318	Screw, #4-40x1/4, Phillips Pan Head Machine	9

5) Installation Instructions

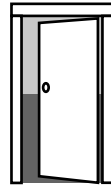
- 1** Verify Hand and Bevel of door. Illustrations shown are as viewed from the outside or secure side of opening.



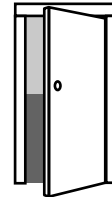
Left Hand
Hinges Left.
Open Inward.
"LH"



Left Hand
Reverse Bevel
Hinges Left.
Open Outward
"LHR"

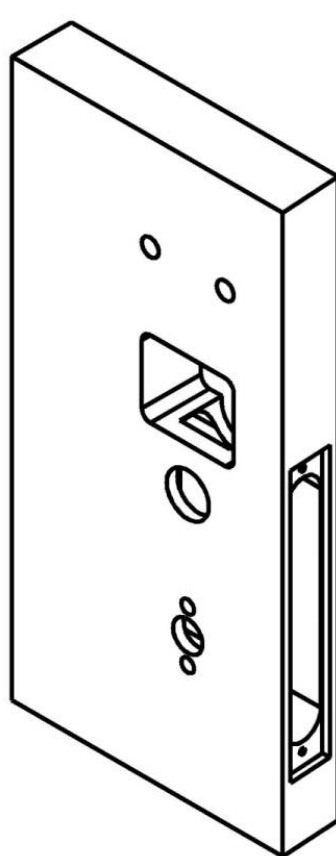


Right Hand
Hinges Right.
Open Inward.
"RH"

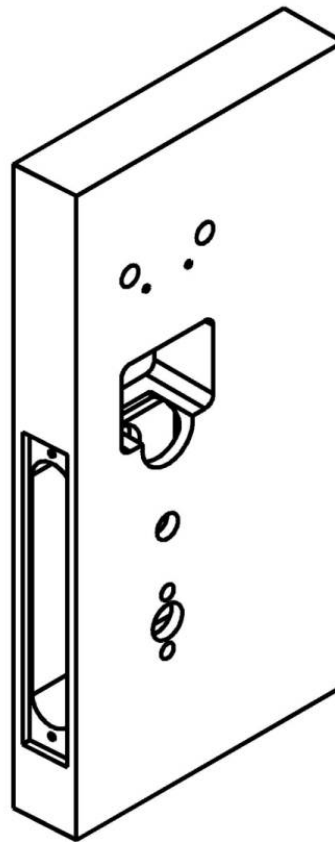


Right Hand
Reverse Bevel
Hinges Right.
Open Outward
"RHR"

- 2** Prep door according to door template T31076 visit www.corbinrusswin.com



OUTSIDE OF DOOR



INSIDE OF DOOR

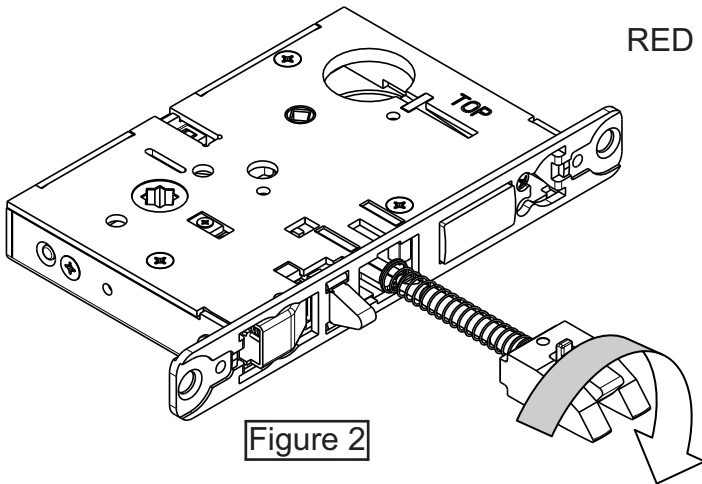
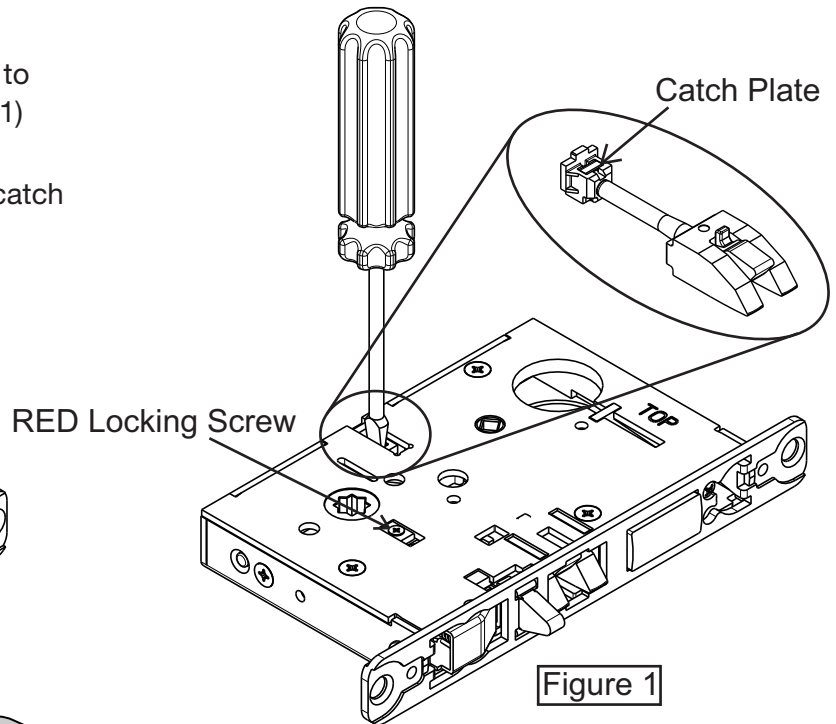
5) Installation Instructions

3 Handing of Lock Body

Step 1) Move the red locking screw to side of lock body being locked (Fig. 1)

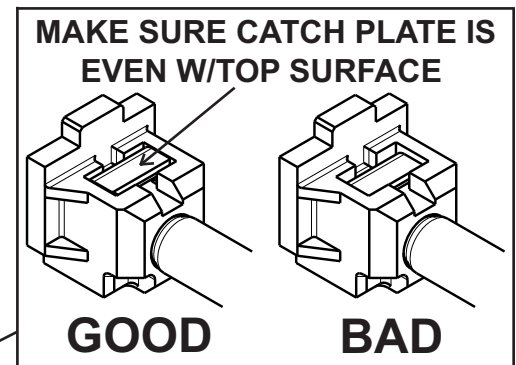
Step 2) Push in latch then depress catch plate with screw driver (Fig. 1)

Step 3) Pull latch out of lock body and turn latch over (Fig. 2)

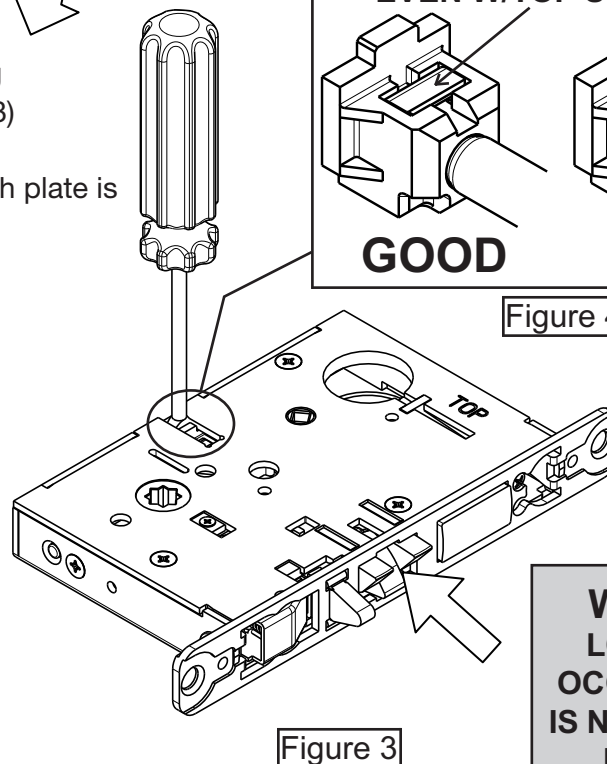
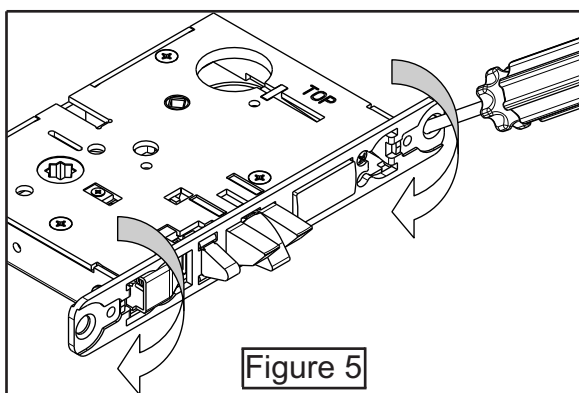


Step 4) Push in latch while holding screw driver behind latch tail (Fig. 3)

Note: Push in latch until catch plate is no longer depressed (Fig. 4)



Step 5) Rotate lock front to match bevel of door as shown (Fig. 5)

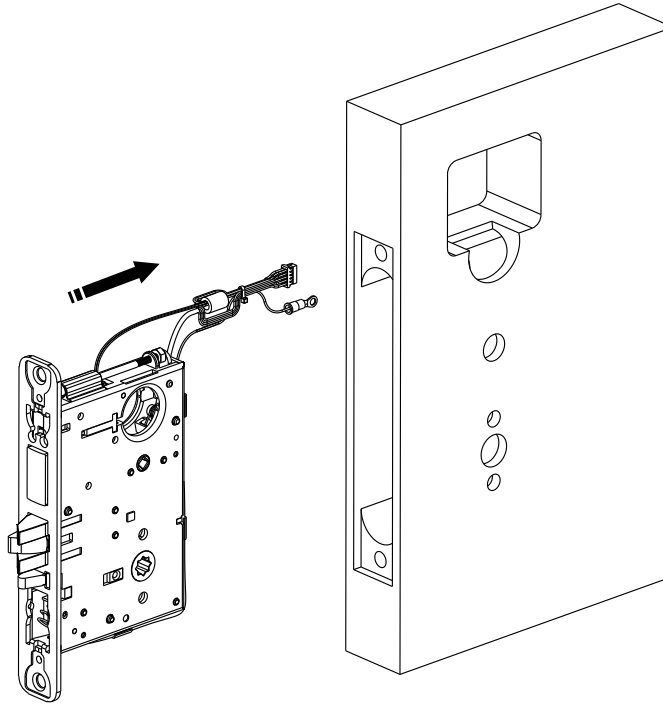


WARNING:
LOCK-IN CAN OCCUR IF LATCH IS NOT PROPERLY INSTALLED

5) Installation Instructions

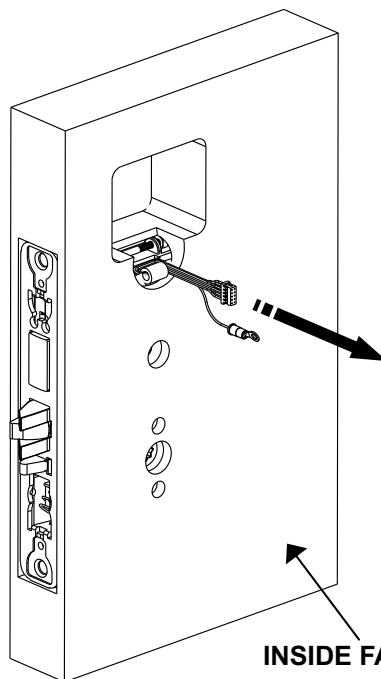
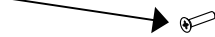
4 Install Lock Body into Door

Feed wires through hole as shown. Insert two #12 combination screws.



IMPORTANT:
Door must remain open
during installation.
Use door stop

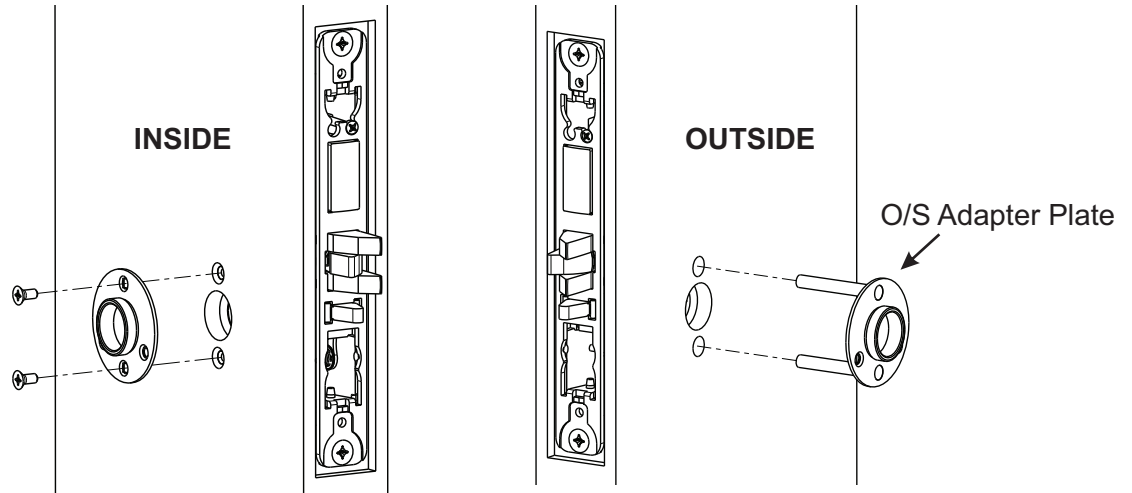
**INSTALL TWO
#12 SCREWS**



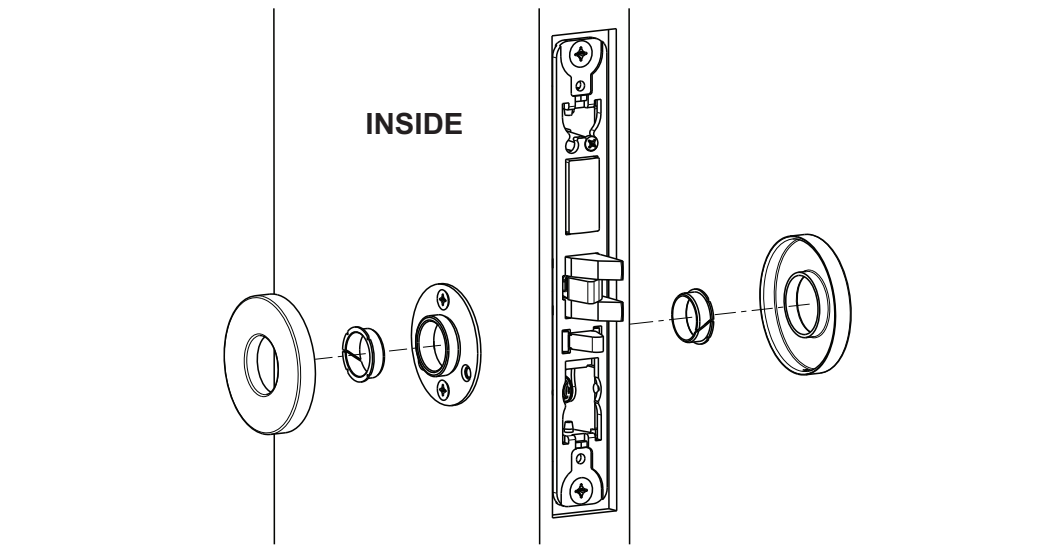
Pull wires through
hole while inserting
lock body. DO NOT
push wires back into
cylinder hole.

5) Installation Instructions

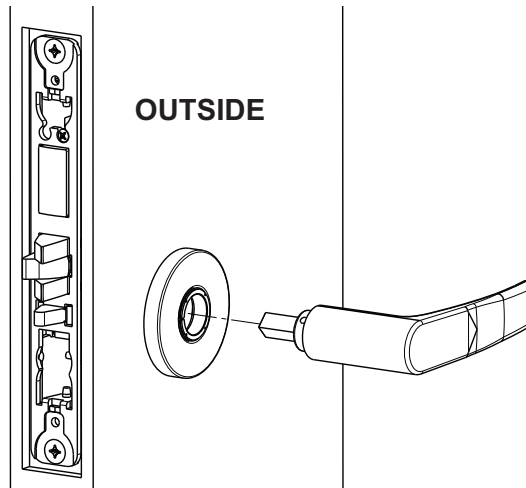
1.)



2.)

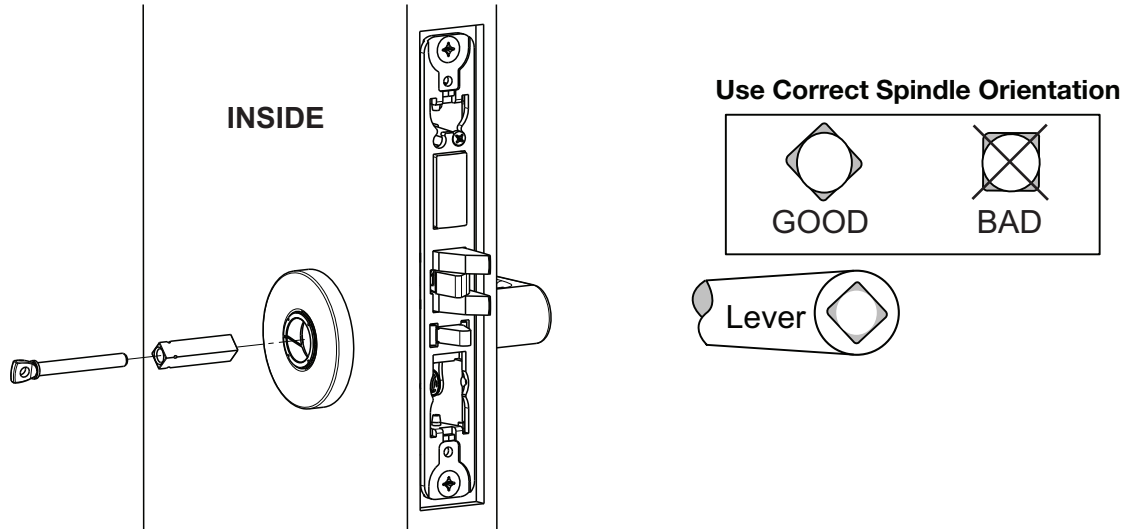


3.)

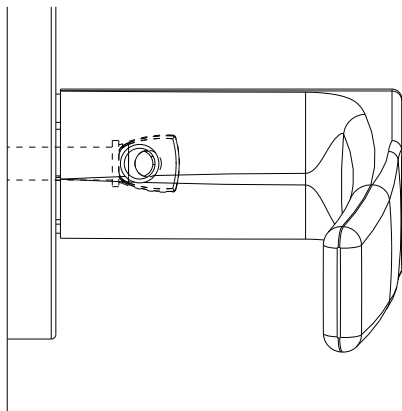


5) Installation Instructions

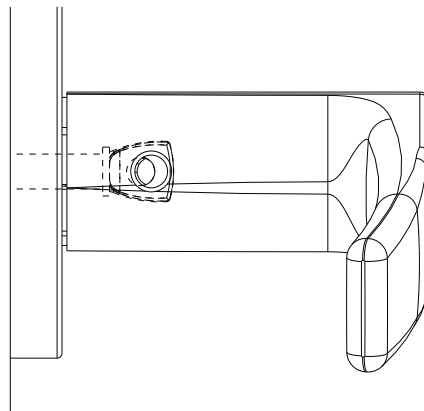
4.)



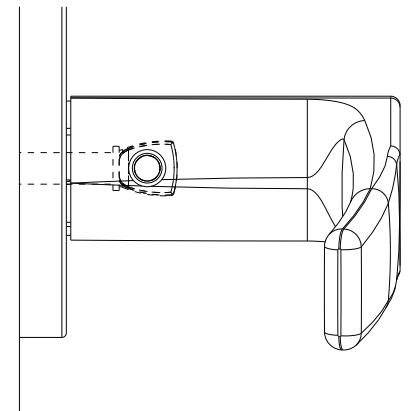
5.) Align adjustment bolt with threaded hole in lever.



Adjustment bolt needs to be threaded in farther.

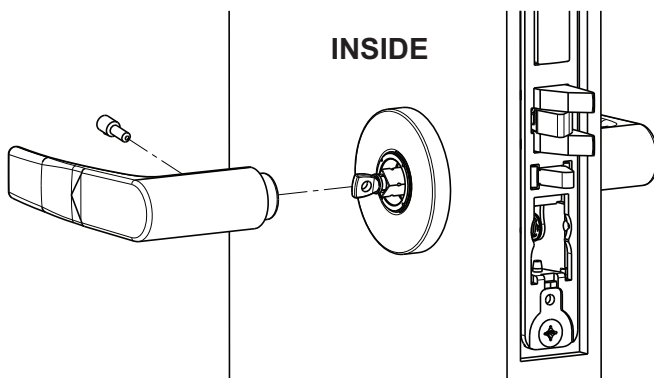


Adjustment bolt needs to be unthreaded.



Adjustment bolt fully aligned.

6.)



Note:

- Unthread adjustment bolt approximately four turns for a good starting point (after being fully tightened).
- Make sure O/S lever is fully inserted into adapter plate before aligning adjustment bolt.

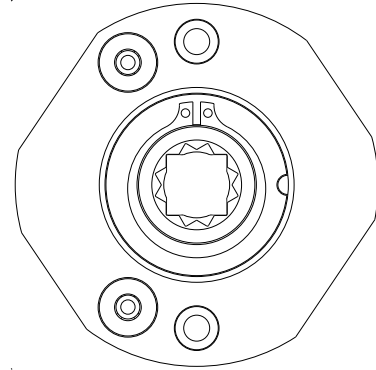
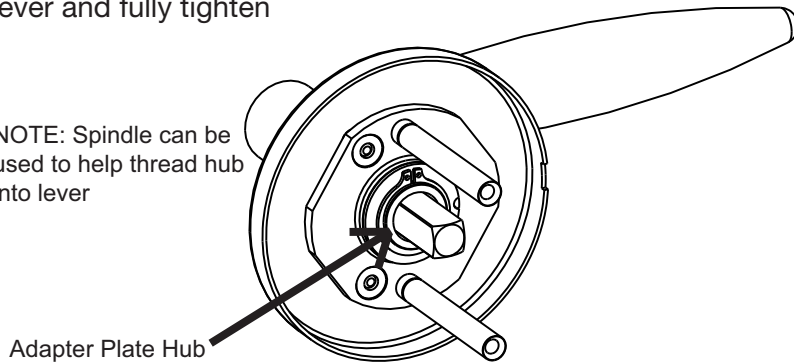
5) Installation Instructions

1.)

Thread adapter plate hub into lever and fully tighten

Align adapter plate hub with square hole in lever; keeping hub as tight as possible

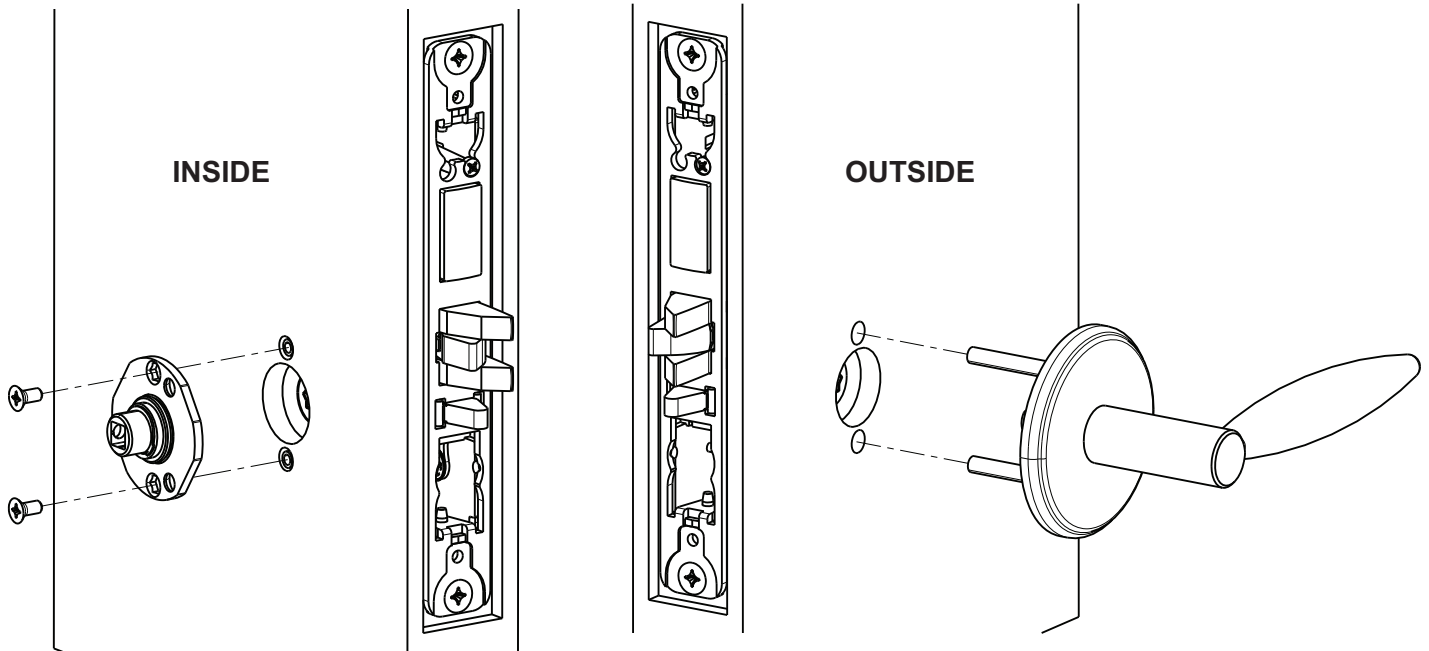
NOTE: Spindle can be used to help thread hub into lever



2.)

INSIDE

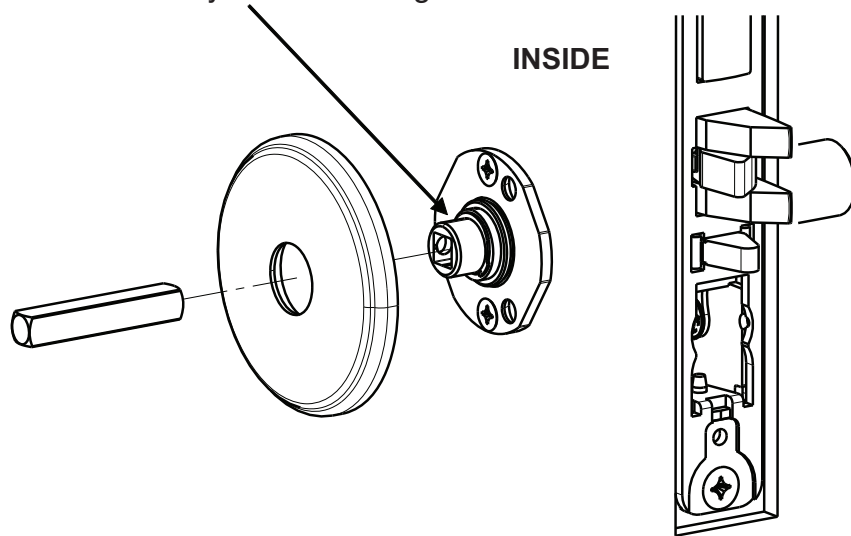
OUTSIDE



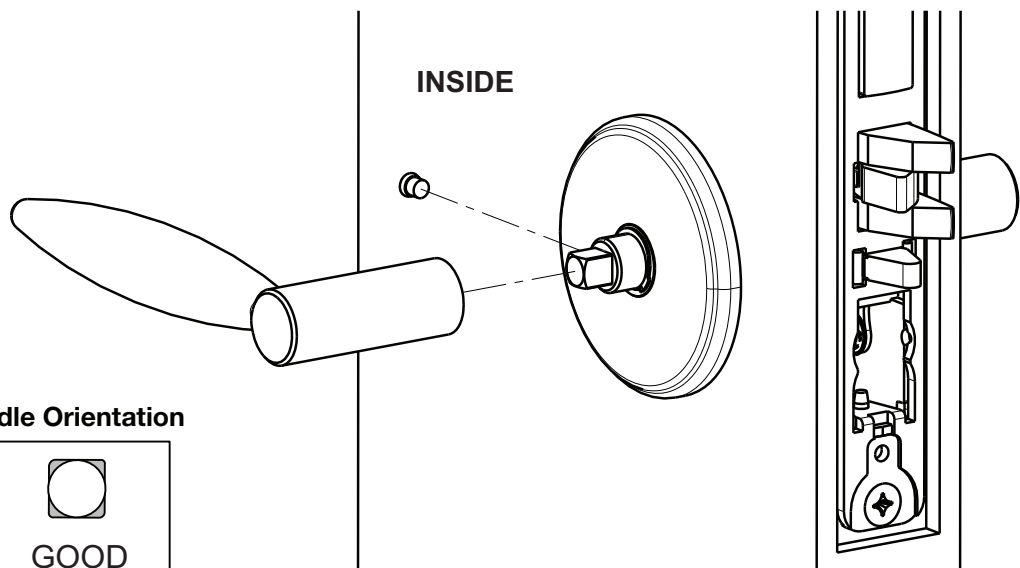
5) Installation Instructions

3.)

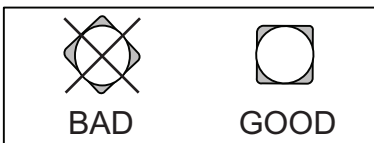
Set screw in hub faces
away from door edge.



4.)

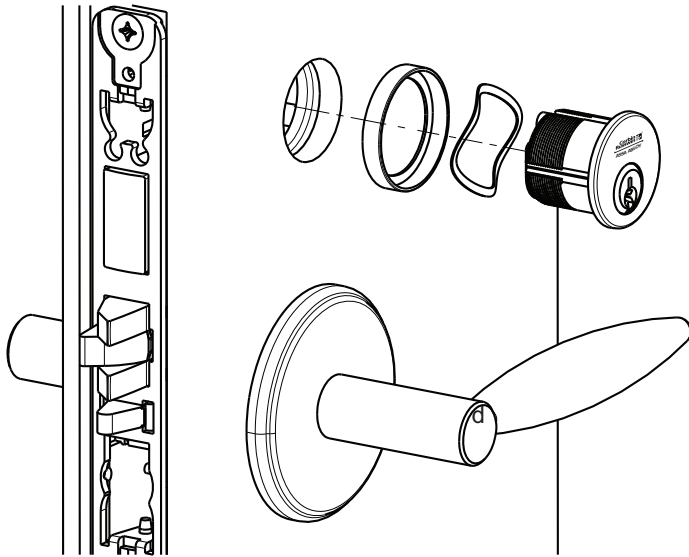


Use Correct Spindle Orientation

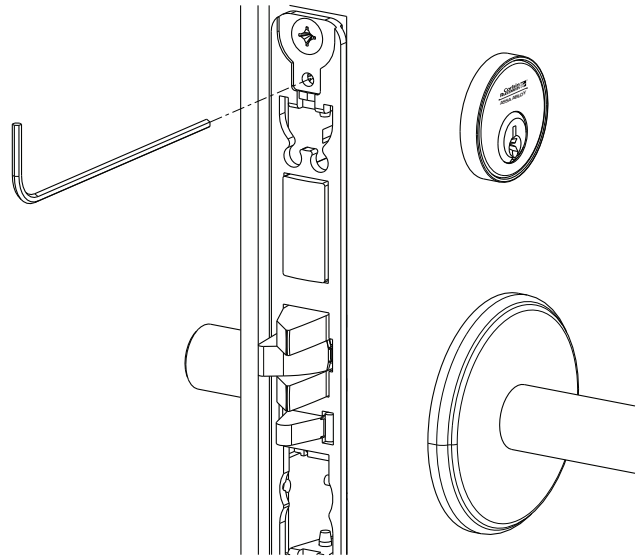


5) Installation Instructions

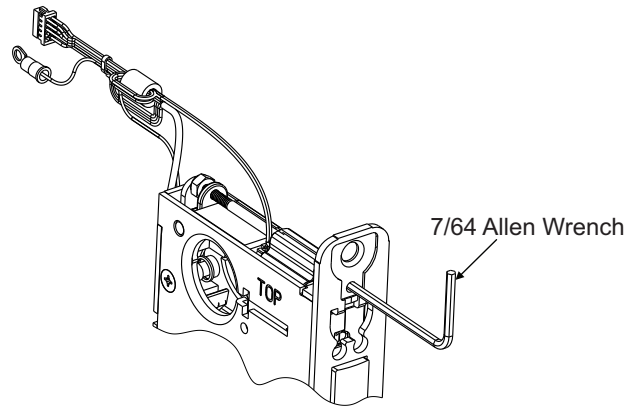
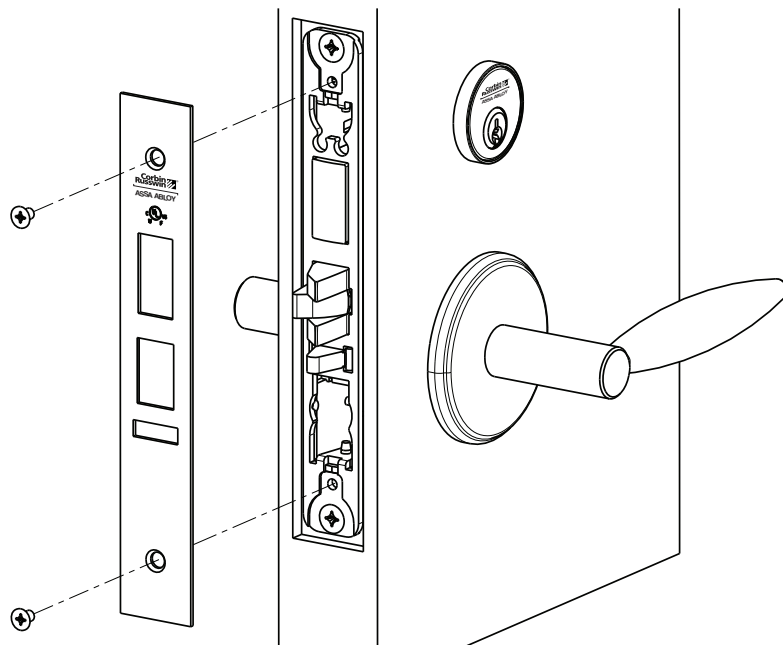
1.)



2.)



3.)



NOTE: Key and cylinder must be rotated as shown



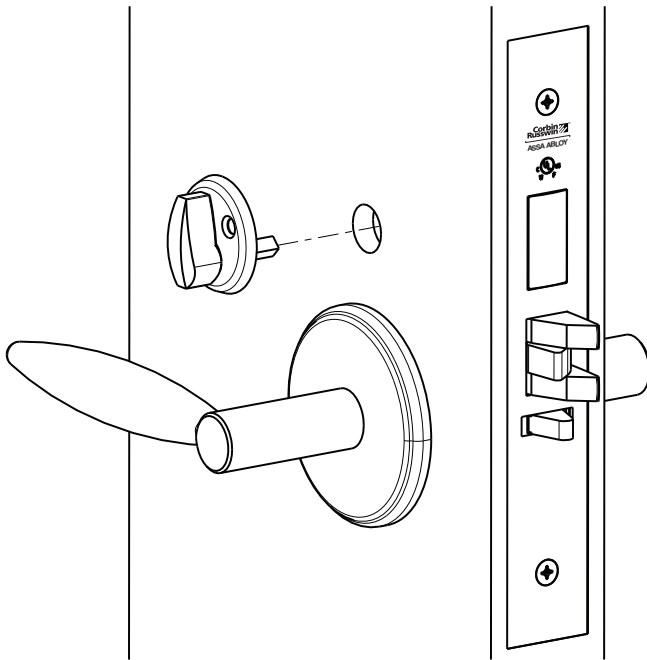
Correct



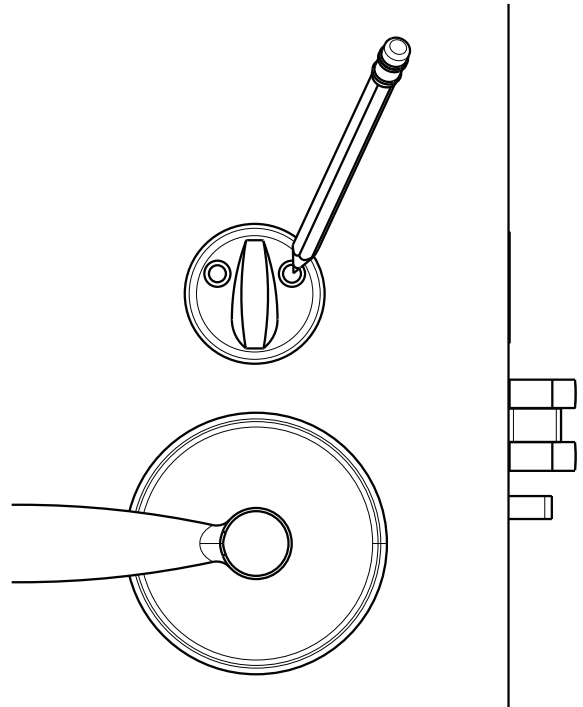
Incorrect

5) Installation Instructions

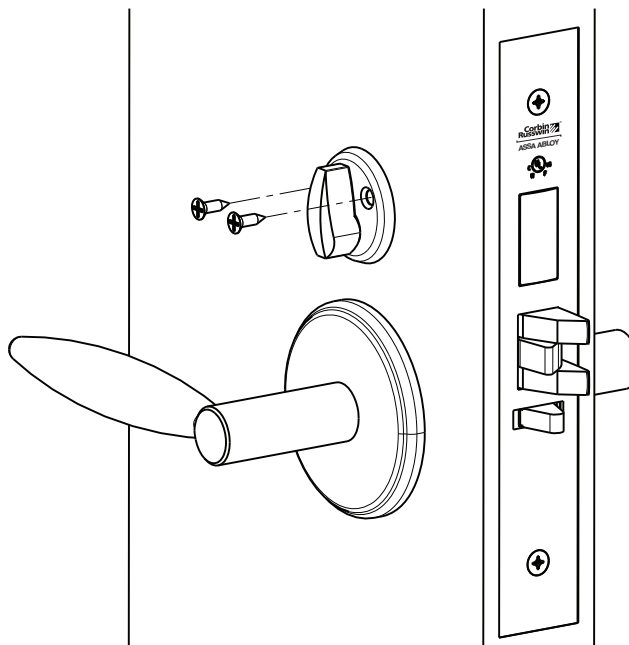
1.)



2.)



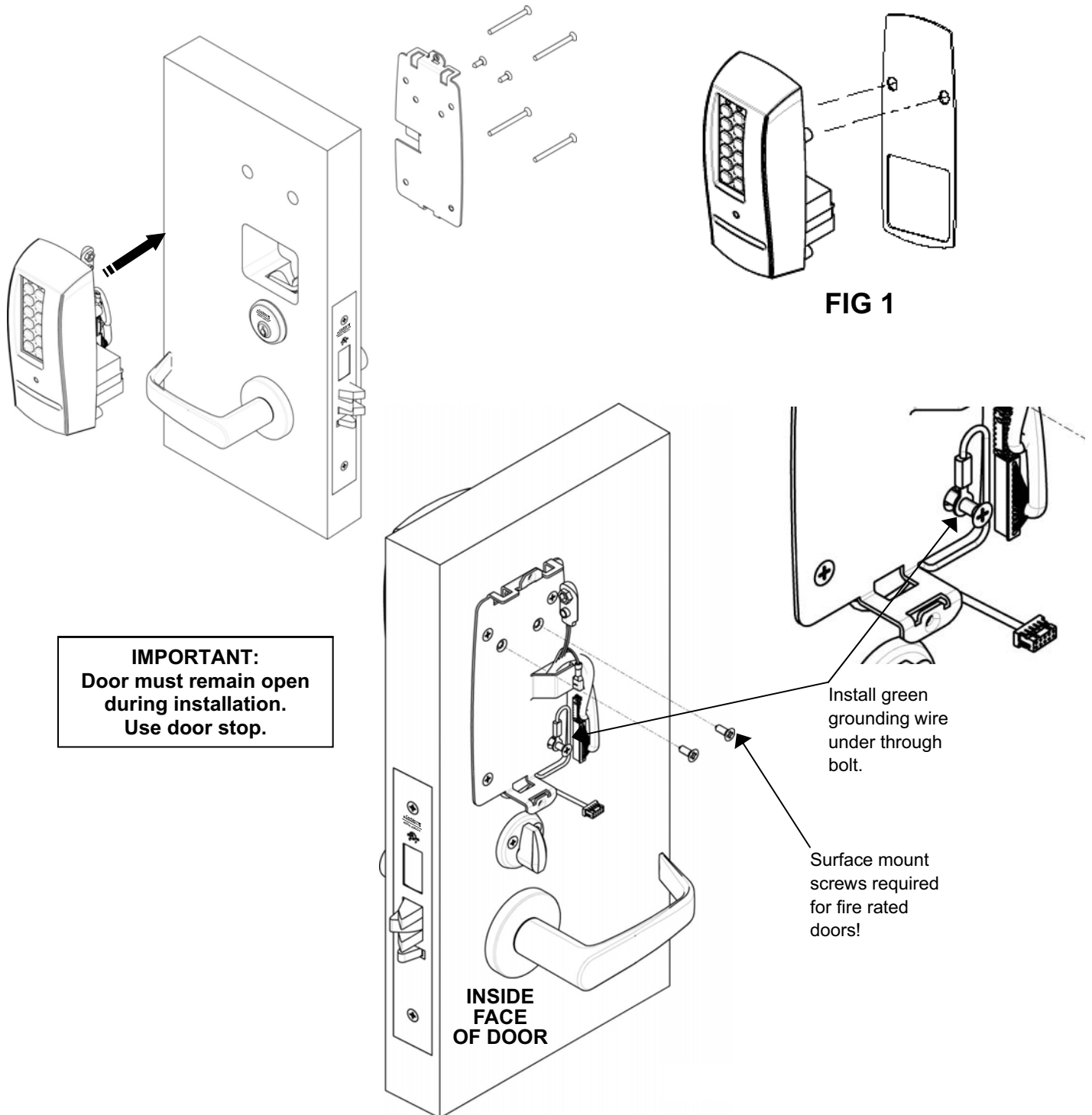
3.)



5) Installation Instructions

5 Install Outside Escutcheon and Inside Mounting Plate

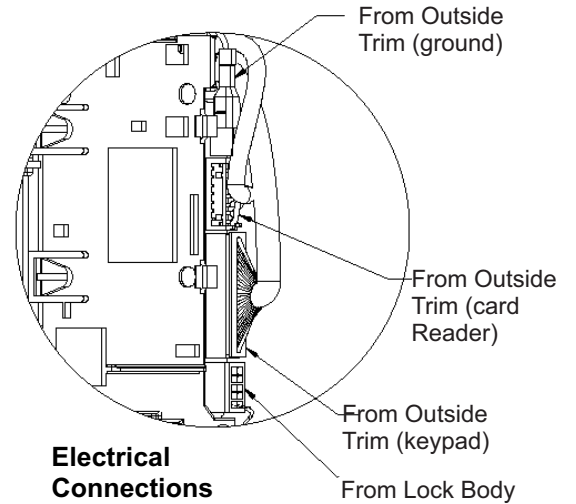
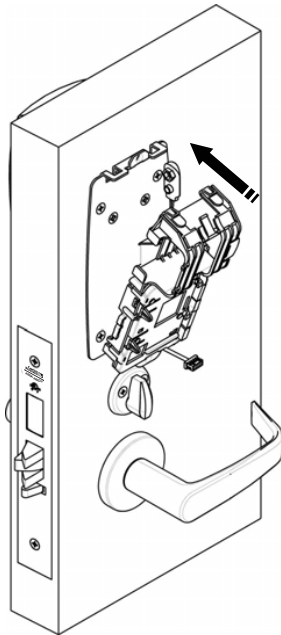
Feed wires as shown. Install four #8-32 machine screws and two #8 surface screws (required for fire rated doors). For exterior applications peel adhesive backing off gasket and stick to escutcheon prior to installation. (FIG 1)



5) Installation Instructions

6 Install Electronics Housing onto Mounting Plate

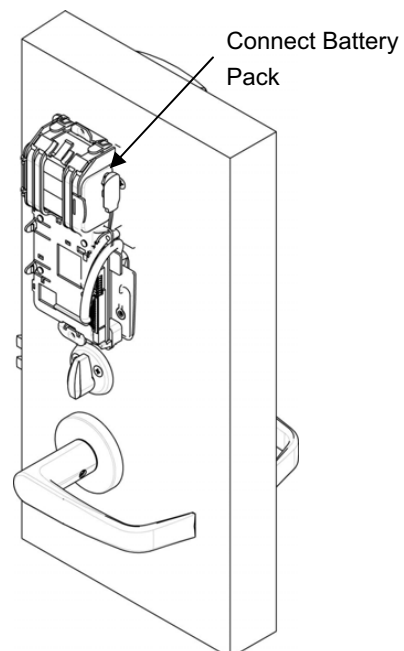
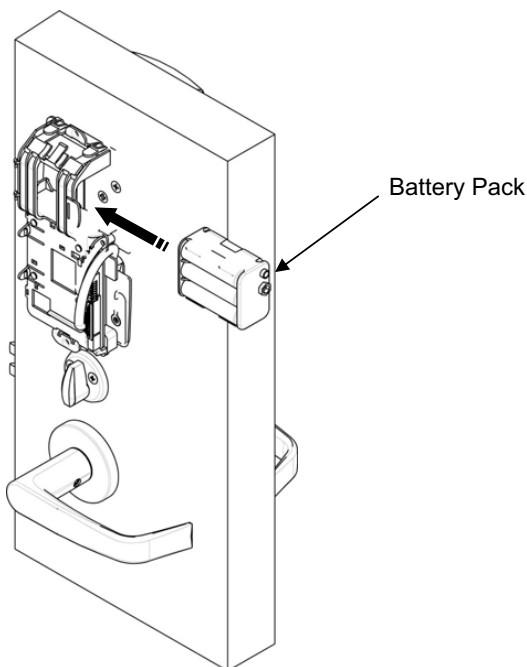
Snap in electronics, then make connections shown below.



IMPORTANT:
Door must remain open
during installation.
Use door stop.

7 Battery/Battery Pack Installation

Place (6) "AA" alkaline batteries into battery pack being careful to align polarity (+/-) properly. Install battery pack as shown and make electrical connection.



5) Installation Instructions

8 Install Inside Escutcheon

Make sure DIP Switch (**FIG 1**) is set correctly before installing escutcheon. Install escutcheon using two #8-32 T20 Security Torx Screws. **(Be careful not to pinch wires under escutcheon.)**

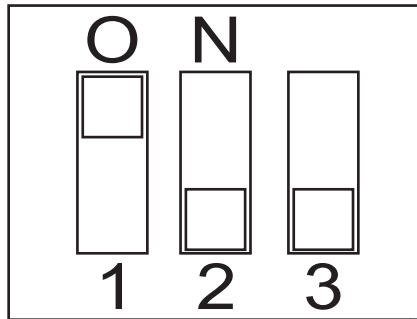
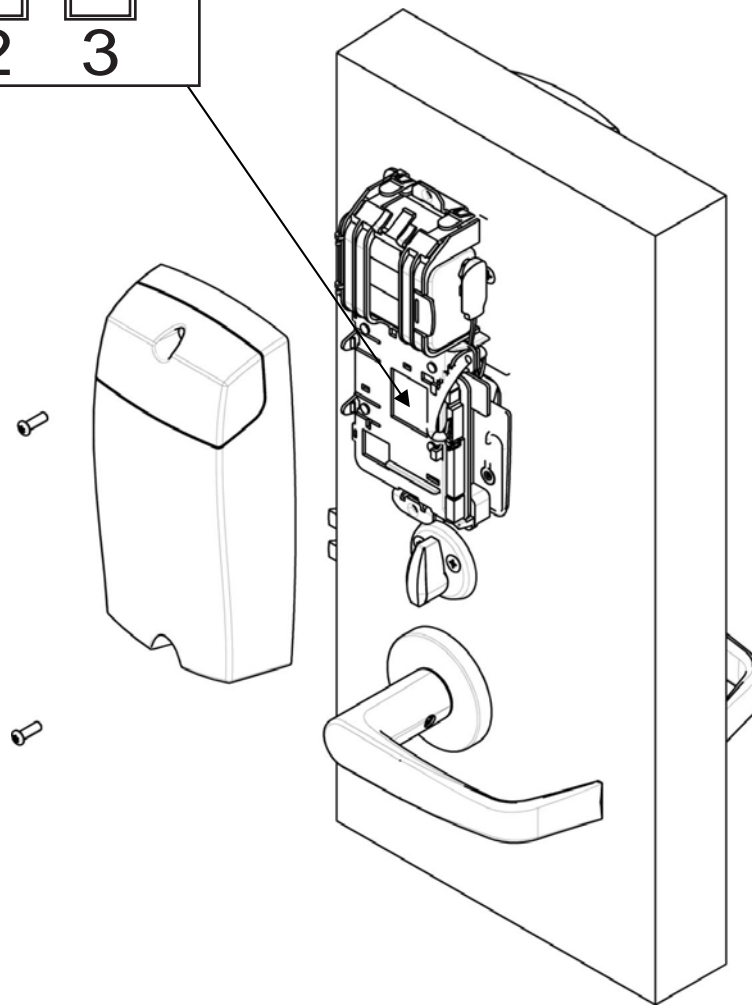


FIG 1



END OF MECHANICAL INSTALLATION – Proceed With Persona™ Programming