

Access 800®

Installation Instructions For ML20800 TCAC2 Series Mortise Lockset

FM224 10/18

**Corbin
Russwin** 

ASSA ABLOY

In U.S.:
Corbin Russwin, Inc.
225 Episcopal Road
Berlin, CT 06037 USA
www.corbinrusswin.com

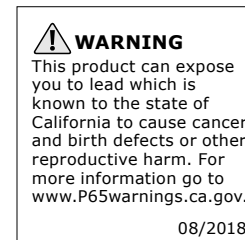
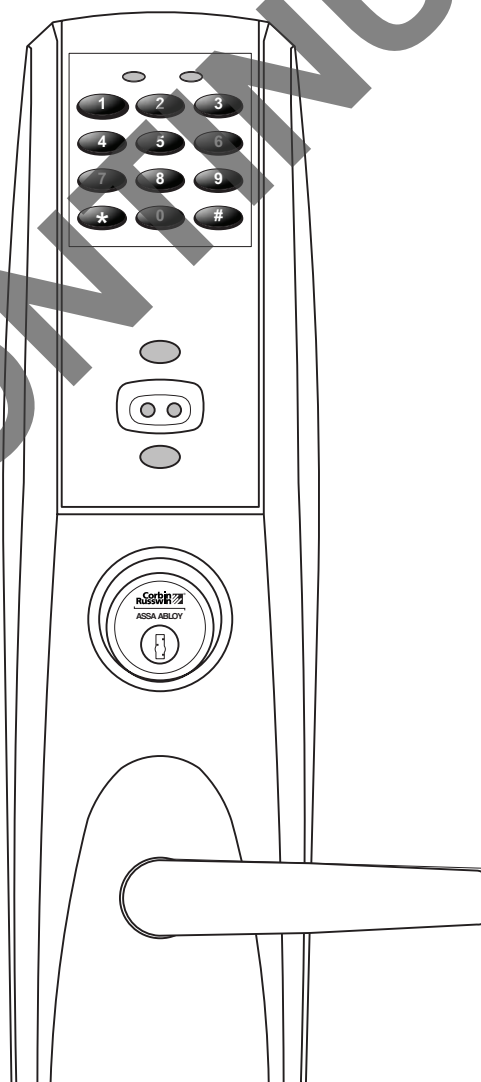
In Canada:
ASSA ABLOY Door Security Solutions Canada
160 Four Valley Drive
Vaughan, Ontario, Canada L4K4T9
www.assaabloy.ca

Attention Installer

Please read these instructions carefully to prevent missing important steps.

Please Note: Improper installation may result in damage to the lock and void the factory warranty.

Important: The accuracy of the door preparation is critical for proper functioning and security of this lock.
Misalignment can cause premature wear and a lessening of security.



For installation assistance contact Corbin Russwin Inc., at 1-800-810-WIRE (9473)

Table of Contents

1) Warning	2
2) General Description/Specifications/Features	3
3) ML20800 TCAC2 Series Product Illustration	4
4) Installation Instructions	5-12
5) Installation of RF Technology Lock	13
6) Operational Check	14
7) ML20800 TCAC2 Hard Wiring Instructions for Mortise	15
7.1) Important	15
7.2) Installation Notes	15
7.3) Electrolynx® Connector System	15
7.4) ML20800 TCAC2 Series Illustration with M861 Harness	16
7.5) M861 Forced Door Propped Door Option	17
7.6) M35 Power/Remote Unlocking	18
7.7) M35 Power/Remote Unlocking with M861 Forced Door Propped Door Option	19

1) Warning

Changes or modifications to this unit not expressly approved by the party responsible for compliance could void the user's authority to operate the equipment.

This device complies with Part 15 of the FCC Rules. Operation is subject to the following two conditions: (1) this device may not cause harmful interference, and (2) this device must accept any interference received, including interference that may cause undesired operation.

Note: This equipment has been tested and found to comply with the limits for a Class B digital device, pursuant to Part 15 of the FCC Rules. These limits are designed to provide reasonable protection against harmful interference in a residential installation. This equipment generates, uses and can radiate radio frequency energy and if not installed and used in accordance with the instructions, may cause harmful interference to radio communications. However, there is no guarantee that the interference will not occur in a particular installation. If this equipment does cause harmful interference to radio or television reception, which can be determined by turning the equipment off and on, the user is encouraged to try to correct the interference by one or more of the following measures:

- Reorient or relocate the receiving antenna
- Increase the separation between the equipment and receiver
- Connect the equipment into an outlet on a circuit different from that to which the receiver is connected
- Consult the dealer or an experienced TV technician for help

This Class B digital apparatus complies with Canadian ICES-003.

⚠ Warning: To comply with “Fire Listed” doors, only alkaline batteries must be used.

2) General Descriptions/ Specifications/ Features

General Description

The Access 800 Mortise Lock is designed for areas which require stand-alone authorized entry. It is a self-contained microprocessor-controlled keypad with non-volatile memory. The keypad will hold a total of 100 (M800) or 2000 (M801, M802, M803, M804, M805, M806) different user codes. User codes "01", "02" and "03" are utilized for Master, Emergency and Supervisory Codes respectively. This product is operated by six (6) "AA" alkaline batteries. Corbin Russwin locks are designed with quality components to provide high security, performance and durability.

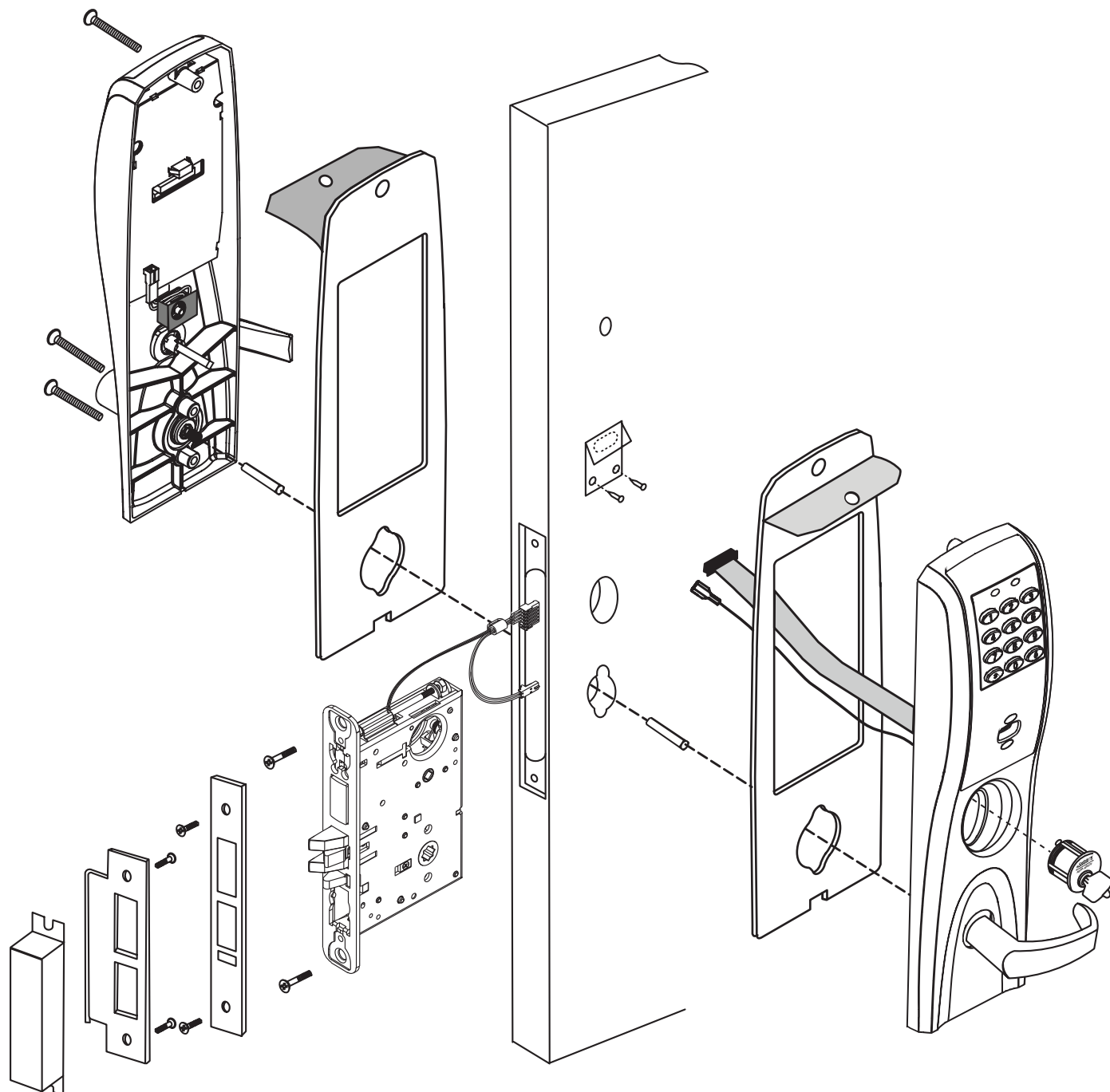
Specifications

- Latch - Stainless steel
- Deadbolt - Stainless steel
- Auxiliary Latch - Stainless steel, non handed
- Handed - Easily field reversible without disassembling the lock body
- Case - 12 gauge heavy duty wrought steel
- U.L. Listed (3 hr.)
- Locking side controlled by any combination of keypad, proximity RF technology or key override
- Non-locking side retracts latch and deadbolt
- Locks furnished for 1-3/4" doors. Can be furnished for other door sizes upon request. Consult factory

Features

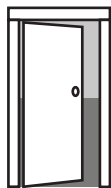
- Low battery alert—4 chirps after standard user code entry
- External remote "request to enter" connector
- Master, Emergency or Supervisory code will unlock door when low battery has expired
- Programming done at the keypad (Except M802 & M805) or with a PDA using Accessware™ with Access HH application Software.
- M801 - M806 allows last 2000 transactions to be output to a PC via a PDA and Accessware™ software
- Operates utilizing any two to six digits per code. Digits may be repeated and codes may start with zero.
- Entry of a programmable number of wrong User Codes disables all codes for a programmable number of seconds
Yellow LED on solid
- M800 allows last 15 transactions to be output to portable printer via infrared link

3) ML20800 TCAC2 Series Product Illustration

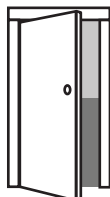


4) Installation Instructions

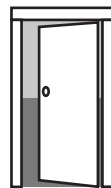
- 1** Verify hand and bevel of door. Illustrations shown are as viewed from the outside or secure side of opening.



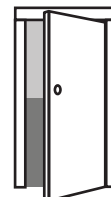
Left Hand
Hinges Left.
Open Inward.
"LH"



Left Hand
Reverse Bevel
Hinges Left.
Open Outward
"LHR"

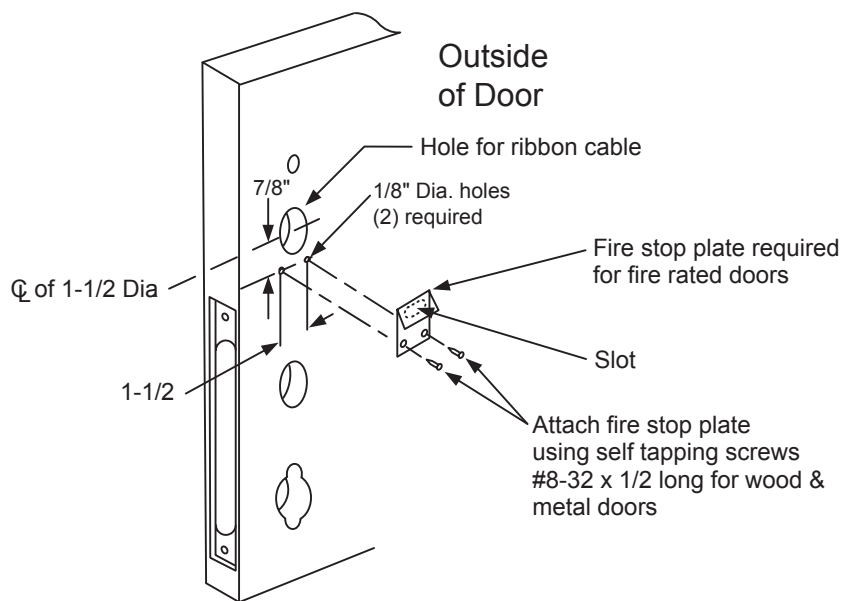


Right Hand
Hinges Right.
Open Inward.
"RH"



Right Hand
Reverse Bevel
Hinges Right.
Open Outward
"RHR"

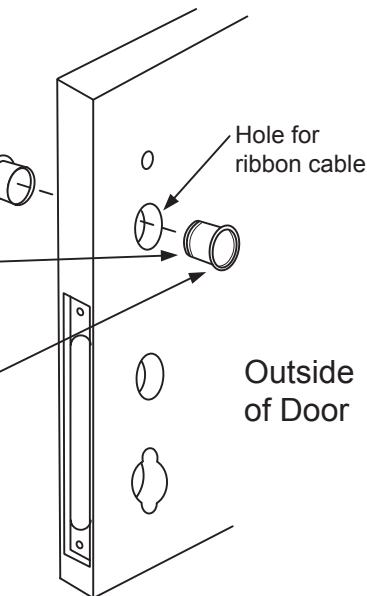
- 2** Prep door according to supplied door marker.



The optional conduit is available for non fire rated doors to provide weather protection for exterior door applications. It is included in the M99 Weatherseal Gasketing Kit when ordered with the device. If ordered separately, order part number 794F929.

Non Fire Rated Exterior Doors
install weather conduit.
(Hollow Doors Only)

Install conduit half with recessed panel "Not For Use On Fire Door" visible from outside of door.



Non Fire Rated Door

4) Installation Instructions

3) Handling of Lock Body

Step 1) Move the red locking screw to side of lock body being locked (Fig. 1)

Step 2) Push in latch then depress catch plate with screw driver (Fig. 1)

Step 3) Pull latch out of lock body and turn latch over (Fig. 2)

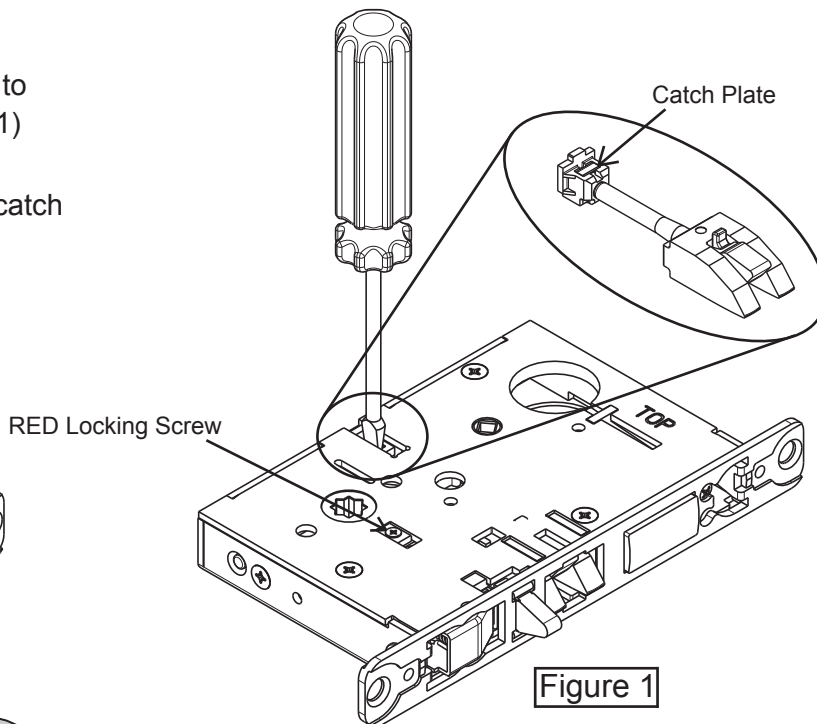


Figure 1

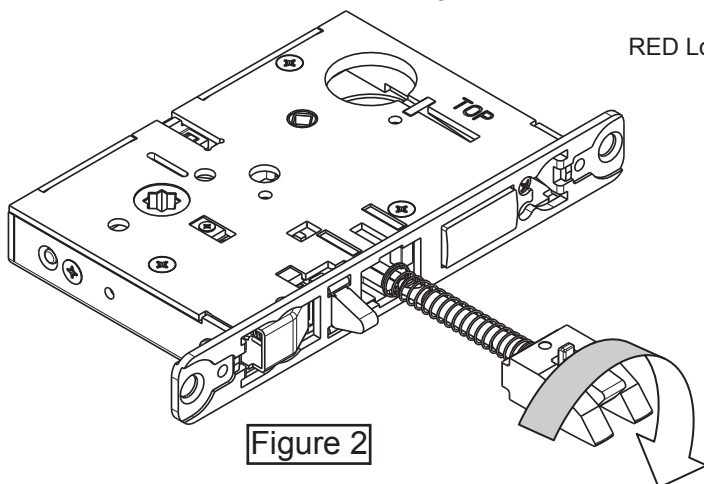


Figure 2

Step 4) Push in latch while holding screw driver behind latch tail (Fig. 3)

Note: Push in latch until catch plate is no longer depressed (Fig. 4)

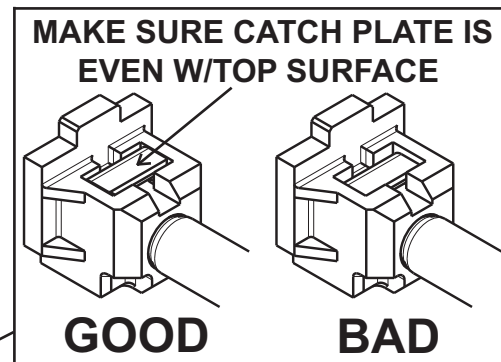


Figure 4

Step 5) Rotate lock front to match level of door as shown (Fig. 5)

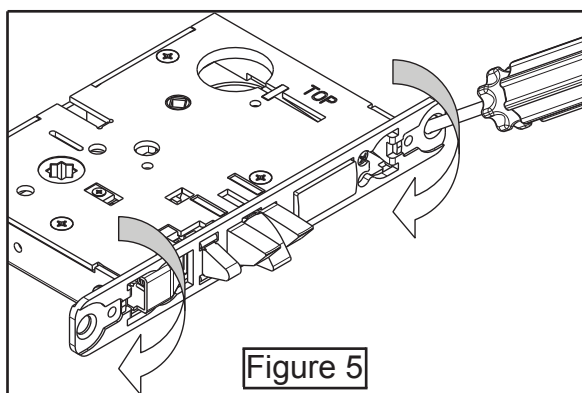


Figure 5

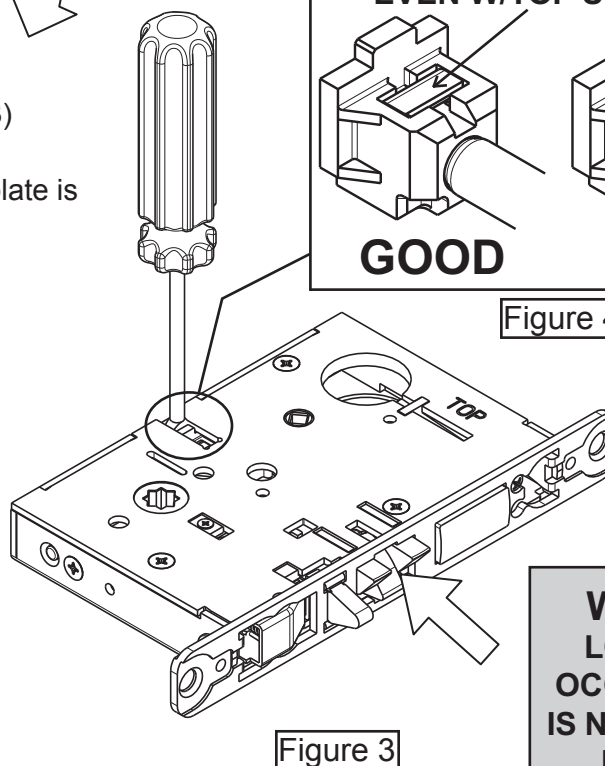


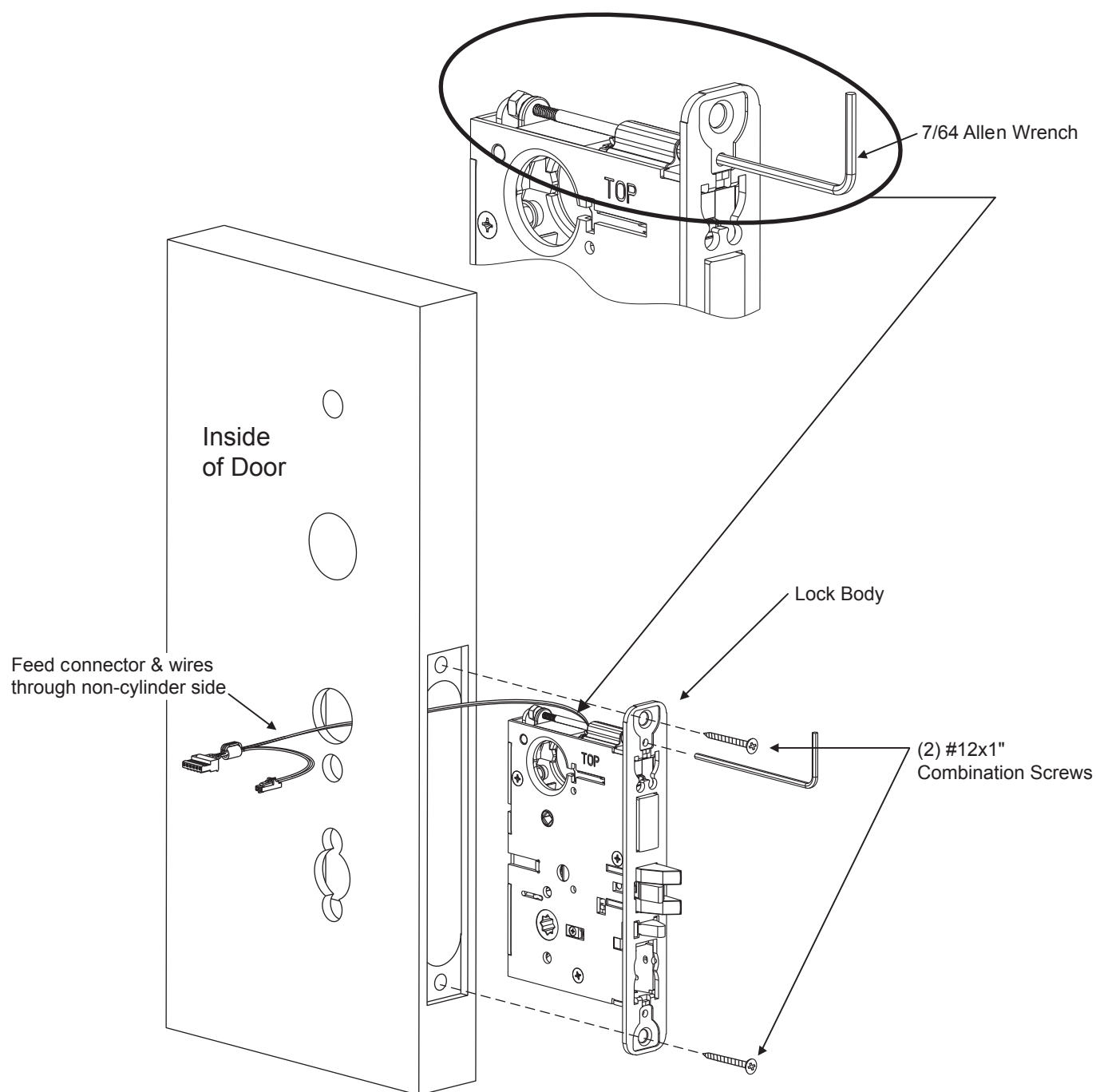
Figure 3

WARNING:
LOCK-IN CAN
OCCUR IF LATCH
IS NOT PROPERLY
INSTALLED

4) Installation Instructions

4 Lock Assembly Instructions

Align bevel accordingly. Engage 7/64 Allen wrench onto cap screw required for Step 5:3 on page 8. Feed connector and wires through non cylinder side of door. Insert lock body into mortise cutout in door and hold loosely in place with (2) #12x1" lock body screws.

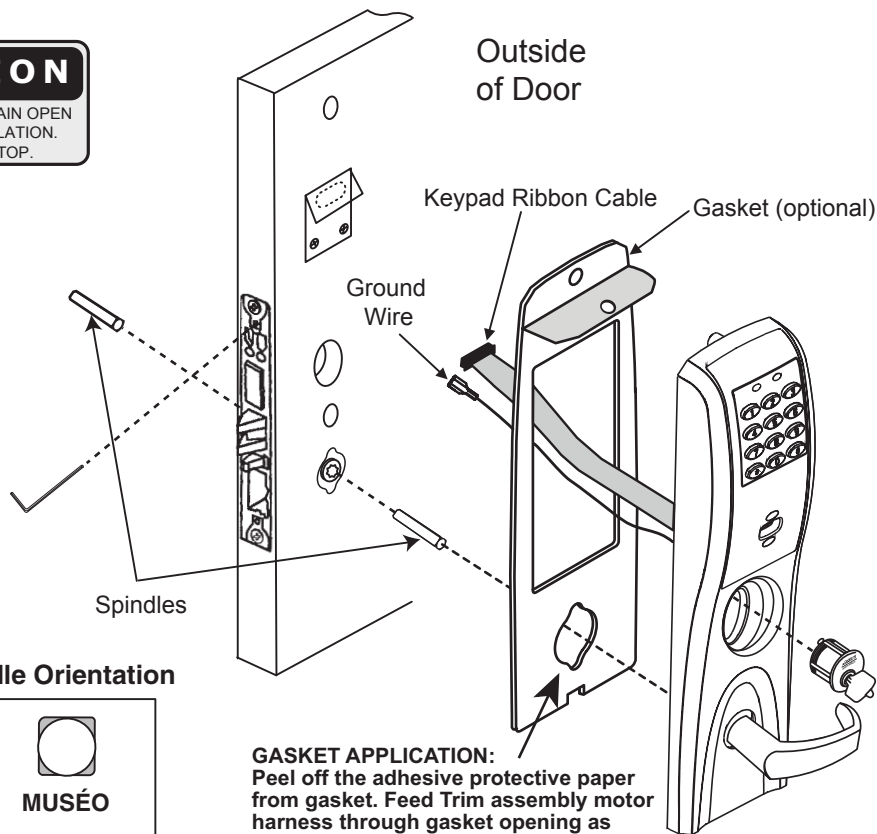


4) Installation Instructions

5) Installation of Outside Escutcheon

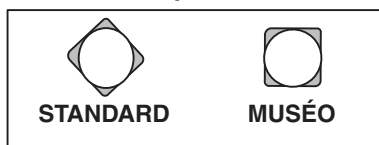
1. For exterior applications, an optional M99 Weatherseal Gasketing Kit can be ordered when a device is ordered. This kit includes gaskets and a conduit. When ordering the kit separately, order part number 794F929. The gaskets may be used as a seal between the escutcheon and the door surfaces.
- 2A. For fire rated doors, feed ribbon cable connector and ground wire from outside escutcheon through the fire stop plate.
- 2B. For non-fire rated doors, feed ribbon cable connector and ground wire from outside escutcheon through weather seal gasket (if used), then conduit sleeve in door (not shown).
3. With outside lever horizontal, insert mounting posts into the door. Make certain the lever spindle is properly engaged in lock. (see diagram and Note A. below) Screw cylinder into mortise lock, ensuring the cylinder orientation is in the correct position (see diagram below) . Using the 7/64 allen wrench provided, hand tighten (5-10 in. lbs.) the cap screw to prevent unscrewing of the cylinder. Turn the key to make certain that the locking mechanism (latch, deadbolt, key) functions correctly. Tighten (2) #12 x 1" lock body screws. Remove allen wrench.

CAUTION
DOOR MUST REMAIN OPEN
DURING INSTALLATION.
USE DOOR STOP.

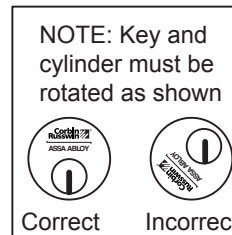


NOTE A.
For MUSÉO® Lever collections ONLY. Thread hub into lever and fully tighten. Align adapter hub with square hole in lever, keeping hub as tight as possible.

Use Correct Spindle Orientation



GASKET APPLICATION:
Peel off the adhesive protective paper from gasket. Feed Trim assembly motor harness through gasket opening as shown and firmly press gasket to escutcheon, aligning edge of gasket with the edge of the escutcheon.



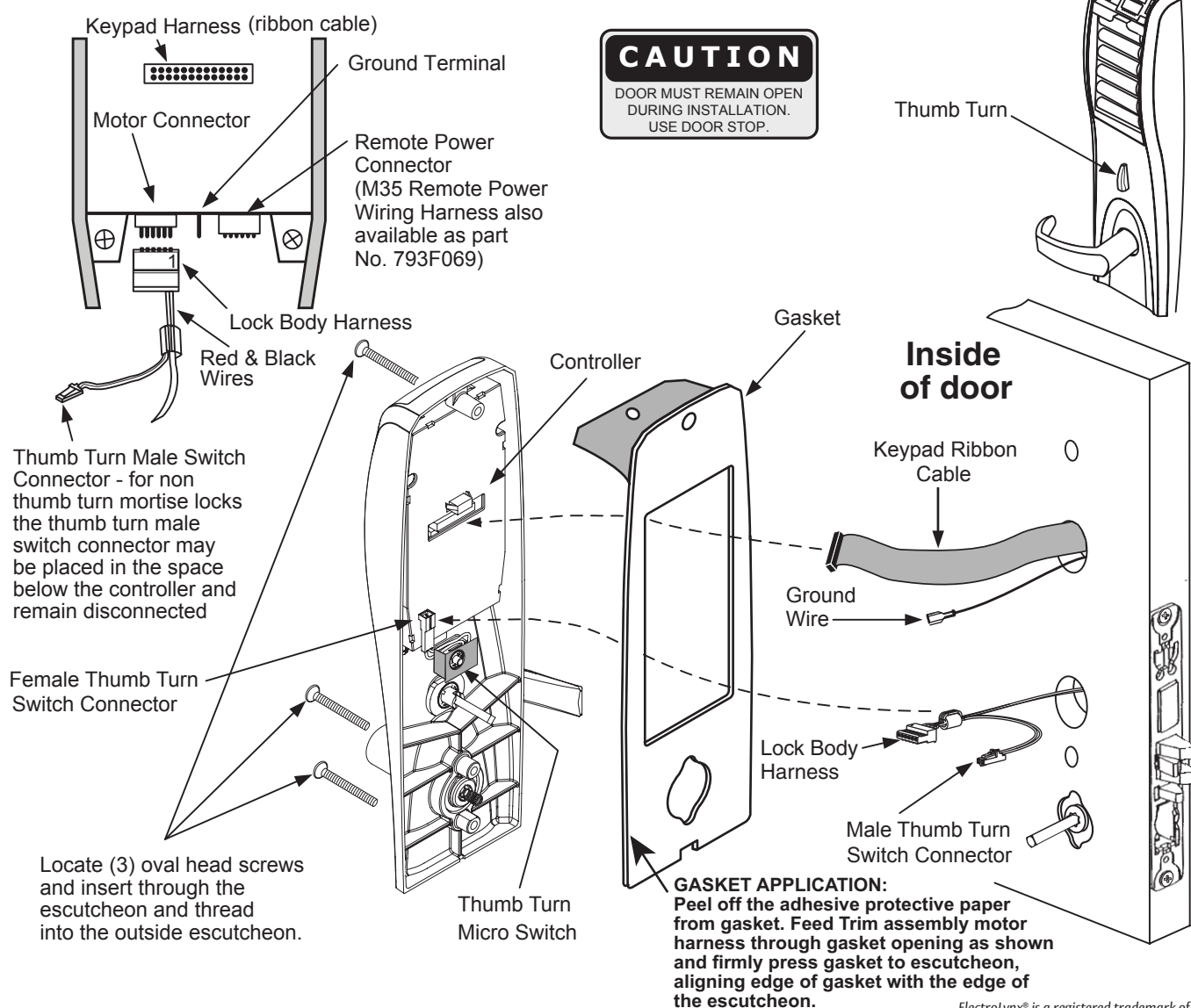
4) Installation Instructions

6 Installation of Inside Escutcheon

NOTE: Connectors go on only one way. Do not offset connector and be sure they are completely seated.

1. Connect ground wire to ground terminal, keypad ribbon cable connector to controller, and lock body harness to motor connector. If you have a thumb turn, connect the male thumb turn switch connector to the female thumb turn switch connector.
2. Align thumb turn to the vertical position.
3. Feed excess lock body harness wire back into the mortise of the door between the door cavity and lock body, making sure no excess wire enters the cylinder hole of the lock body. (see diagram page 8)
Push excess keypad ribbon cable into the ribbon cable hole.

NOTE: For RF Technology versions refer to Section 5 to install through bolt screws.

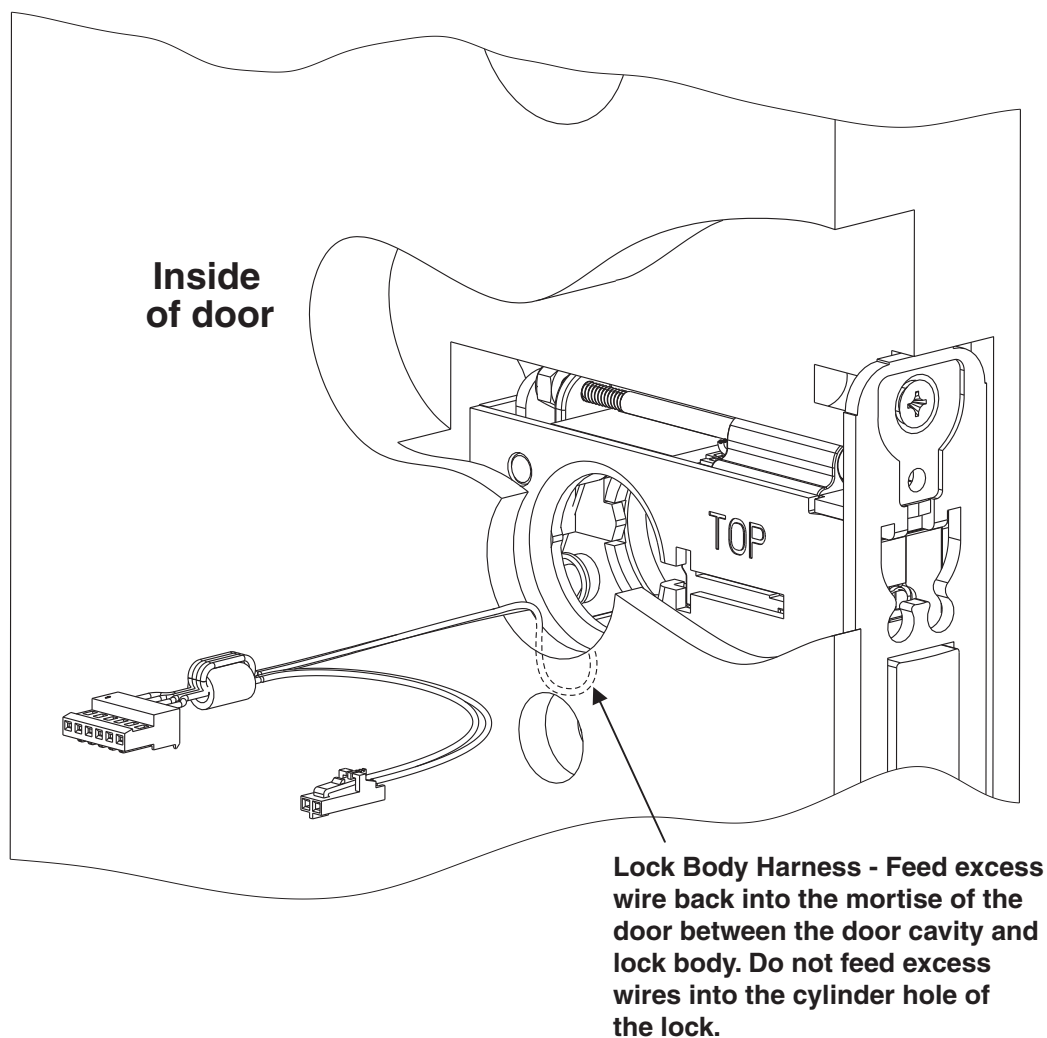


4) Installation Instructions

6 Installation of Inside Escutcheon (continued)

CAUTION: Do not allow lock body harness wires to enter cylinder hole in lock body. Wire damage and/or malfunction of the lock may occur.

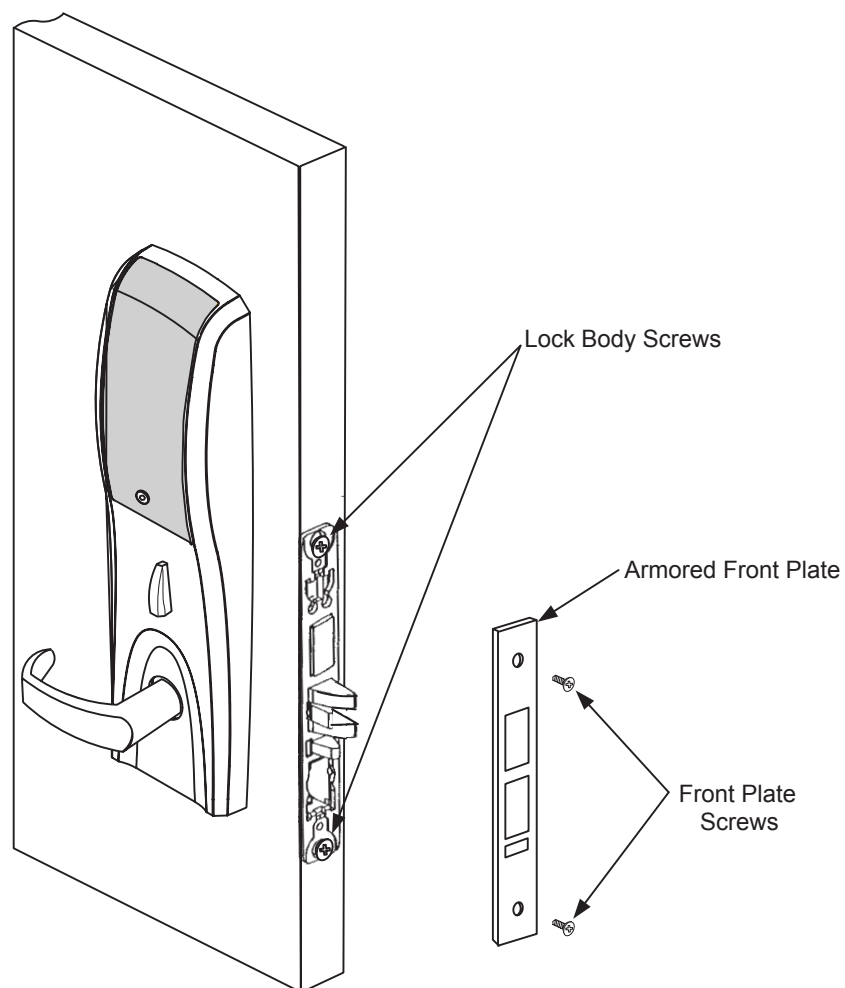
1. Turn inside lever to the horizontal position and rotate the thumb turn to the vertical position. Slide onto spindle halfway. With inside escutcheon resting on spindle, be certain that all keypad ribbon cable will remain inside ribbon cable hole, and that ground wire will not get pinched once escutcheon is mounted. Escutcheon will not fit flush on door otherwise.
2. Insert 3 #10-24 screws through inside escutcheon and thread loosely into outside escutcheon. Check operation of both inside and outside levers and make sure the thumb turn and key still operate the latch and deadbolt correctly. If lock function is satisfactory, fully tighten the bottom two screws. Check operation of both levers again. If levers move freely, tighten top screw. If levers do not move freely, loosen bottom screws and realign the escutcheons until proper operation is obtained.



4) Installation Instructions

7 Installation of Armored Front Plate

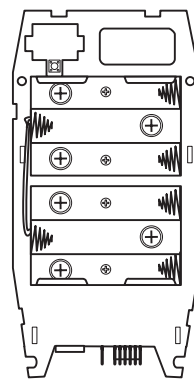
1. Install armored front plate using two #8-32 x 1/4" screws provided.



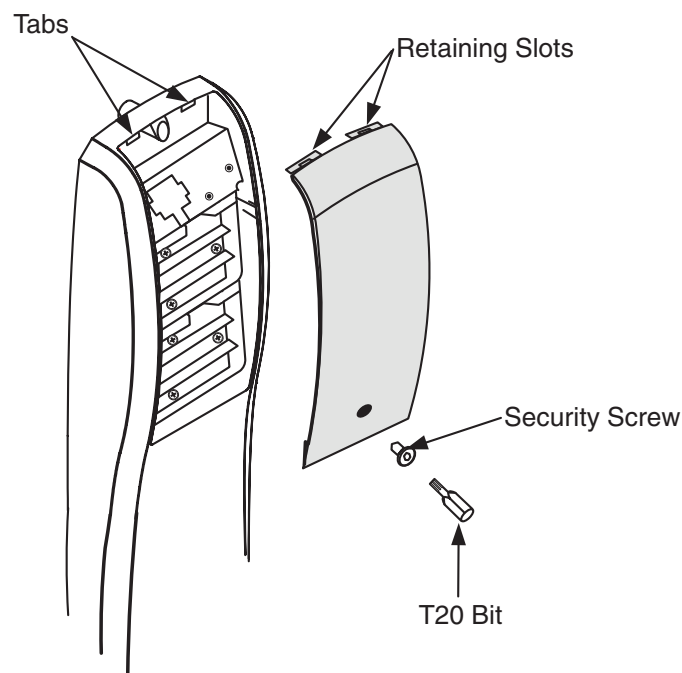
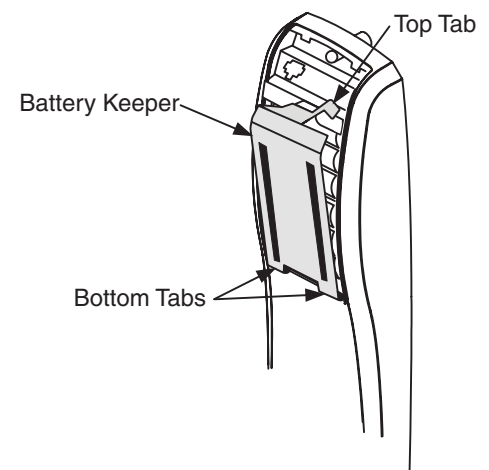
4) Installation Instructions

8 Battery Installation

1. Remove battery keeper by lifting top tab and pulling away from the unit.
2. Install (6) AA Batteries into controller compartment being careful to align +/- polarity properly.
3. Install battery keeper by first inserting bottom tabs in bottom slots of controller. Lift the top tab over batteries and snap into position.
4. Attach battery cover to inside controller escutcheon making sure to line up tabs with retaining slots in battery cover. Secure with security screw using security T20 bit.



Battery Polarity



5) Installation of RF Technology Lock

The RF Technology Lock (M804, M805, M806) is installed as described in section 4 with the following exceptions:

- Installation of the top through-bolt screw
- Removal procedure for the battery keeper

1. Installation of the top through-bolt screw:

The antenna board must be carefully moved to access the upper through-bolt screw. Care should be taken to prevent damage to the antenna retaining tabs during this process.

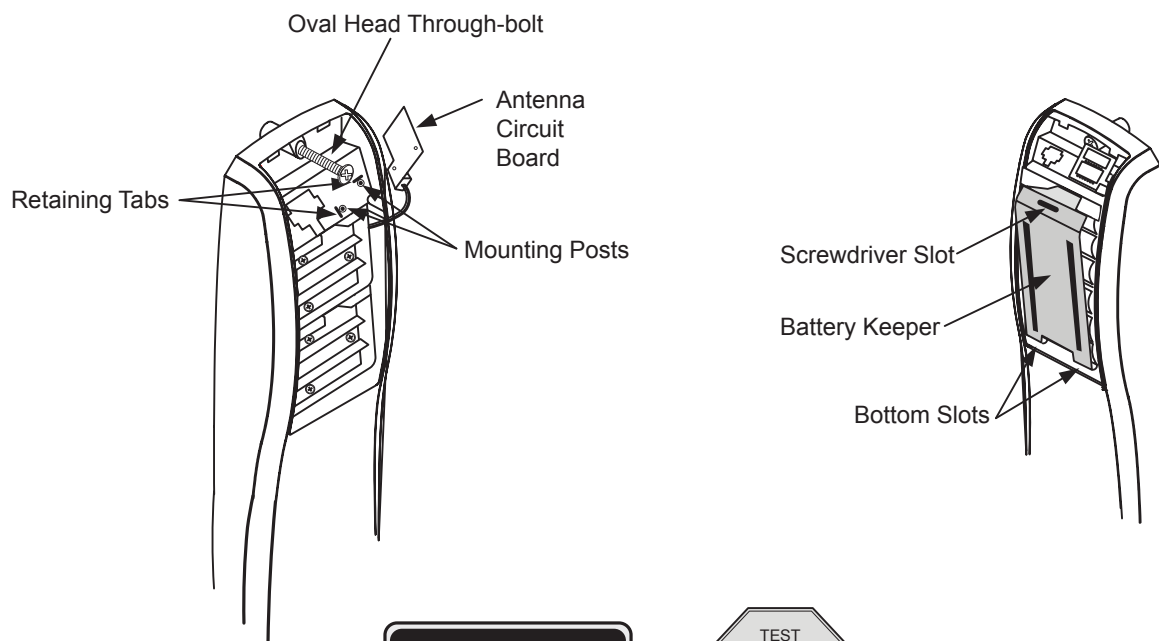
Press the two tabs away from the antenna board and lift the board off the mounting posts.

Insert the oval head through-bolt and secure the escutcheon in place. After tightening the top through-bolt, replace the antenna board by placing it on the mounting posts and pressing into the retaining tabs.

2. Removal and Installation Procedure for Battery Keeper

To remove the battery keeper, a flat blade screwdriver or similar tool must be used. Insert screwdriver into slot at top of battery keeper. Lift up and pull the top of the keeper away from the unit.

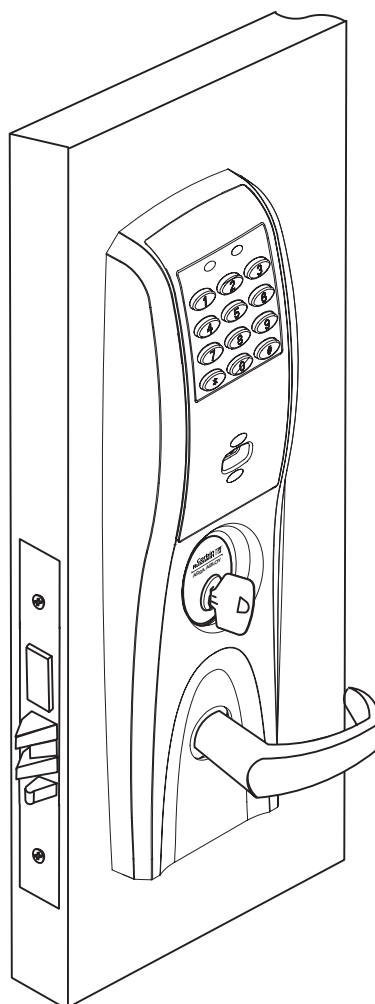
To install the battery keeper insert bottom tabs in bottom slots of controller, then press keeper over batteries and snap into position.



6) Operational Check

Lock operational check for devices with cylinders:

1. Insert key into cylinder and rotate. (There should be no friction against lock case, wire harness or any other obstructions. Refer to Section 4, Step 5 if friction exists.)
2. The key will retract the latch, key should rotate freely. If the deadbolt is thrown, the key will first retract the deadbolt and then the latch. Inside lever retracts latch and deadbolt, if provided.
3. Enter 1234 * to unlock outside lever handle allowing the lever to retract latch and deadbolt, if provided.
4. If lock is Prox only (M802) or RF Technology with Prox (M805) - refer to keypad programming instructions (FM 224) to program lock using Accessware software.

**CAUTION**

DOOR MUST REMAIN OPEN
DURING INSTALLATION.
USE DOOR STOP.



7) ML20800 TCAC2 Hardwiring Instructions

Hardwiring options include one or a combination of the following: M861 Forced Door Propped Door Option, M35 Power/Remote Unlocking Harness

7.1) Important

1. Caution: Disconnect all input power before beginning installation to prevent electrical shock and equipment damage.
2. Installer must be a trained, experienced service person.
3. All wiring must comply with applicable local electrical codes, ordinances and regulations.

7.2) Installation Notes

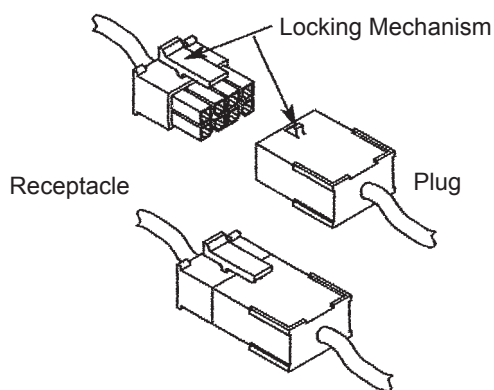
1. With new applications, an ElectroLynx® door harness with 8 and 4 pin connectors may be pre-installed inside door by ASSA ABLOY door manufacturer when specified during ordering process.
2. Wiring to pigtail harness is per facility wiring requirement. ElectroLynx® connector terminations and wire colors all match.
3. If door does not have an ElectroLynx® type door harness, cut connectors off product and hard wire, or consult factory for appropriate mating harness.

7.3) ElectroLynx® Connector System Notes:

The system is designed to be installation friendly with pluggable connectors from the electric hinge through the door to the rail. The only wiring required is to the loose wires on the pigtail harness assembly on the frame side of the electric hinge.

IMPORTANT:

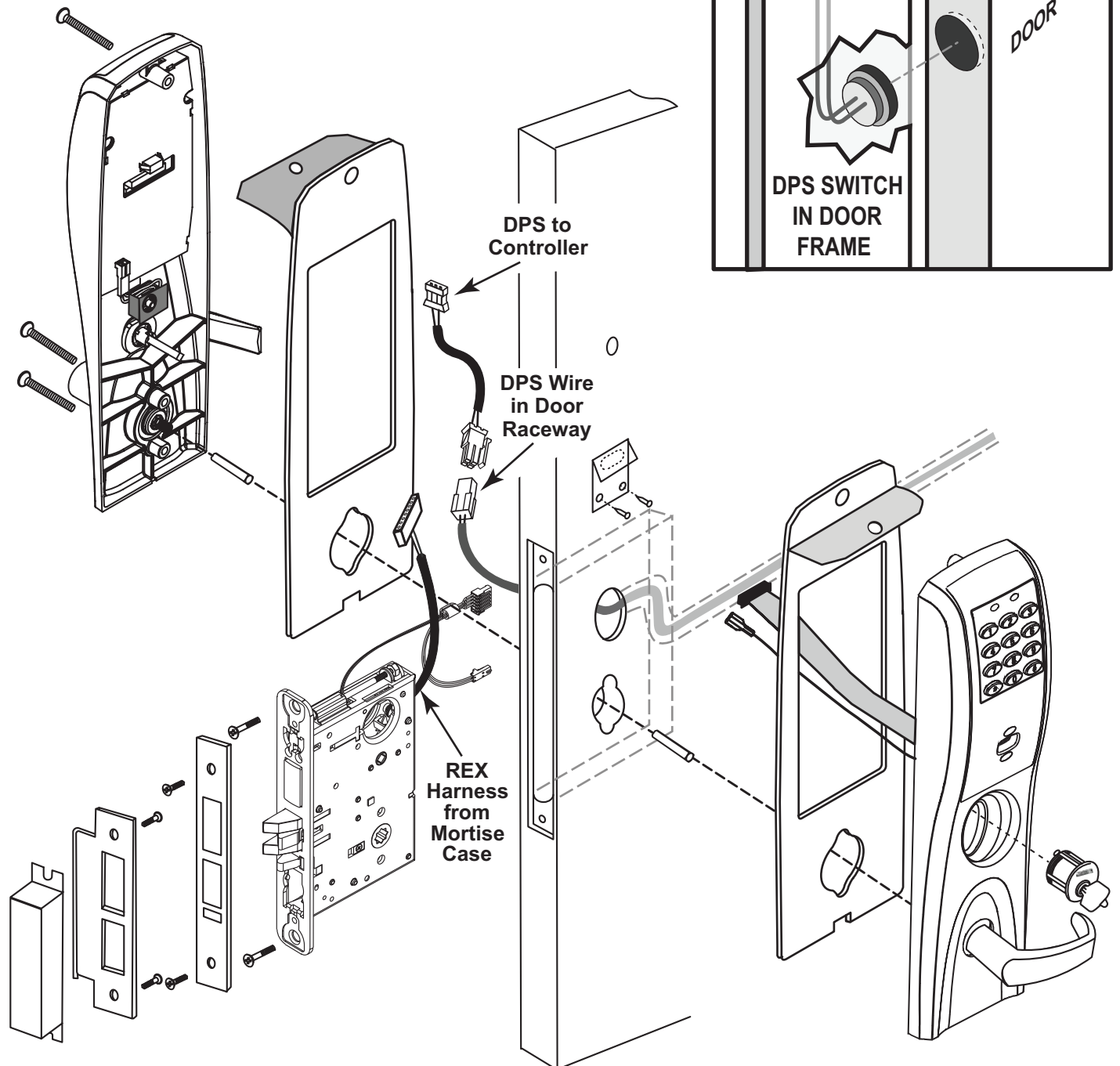
The plug and receptacle connectors are designed to mate and lock together as shown in the figure. Plug the connectors into each other with the locking mechanism aligned as indicated. Do NOT Force connectors on any other way.



As part of their promise to provide innovative, fast and effective high security solutions to their customers, certain ASSA ABLOY Group brands offer ElectroLynx®, a universal quick-connect system that simplifies the electrification of the door opening.

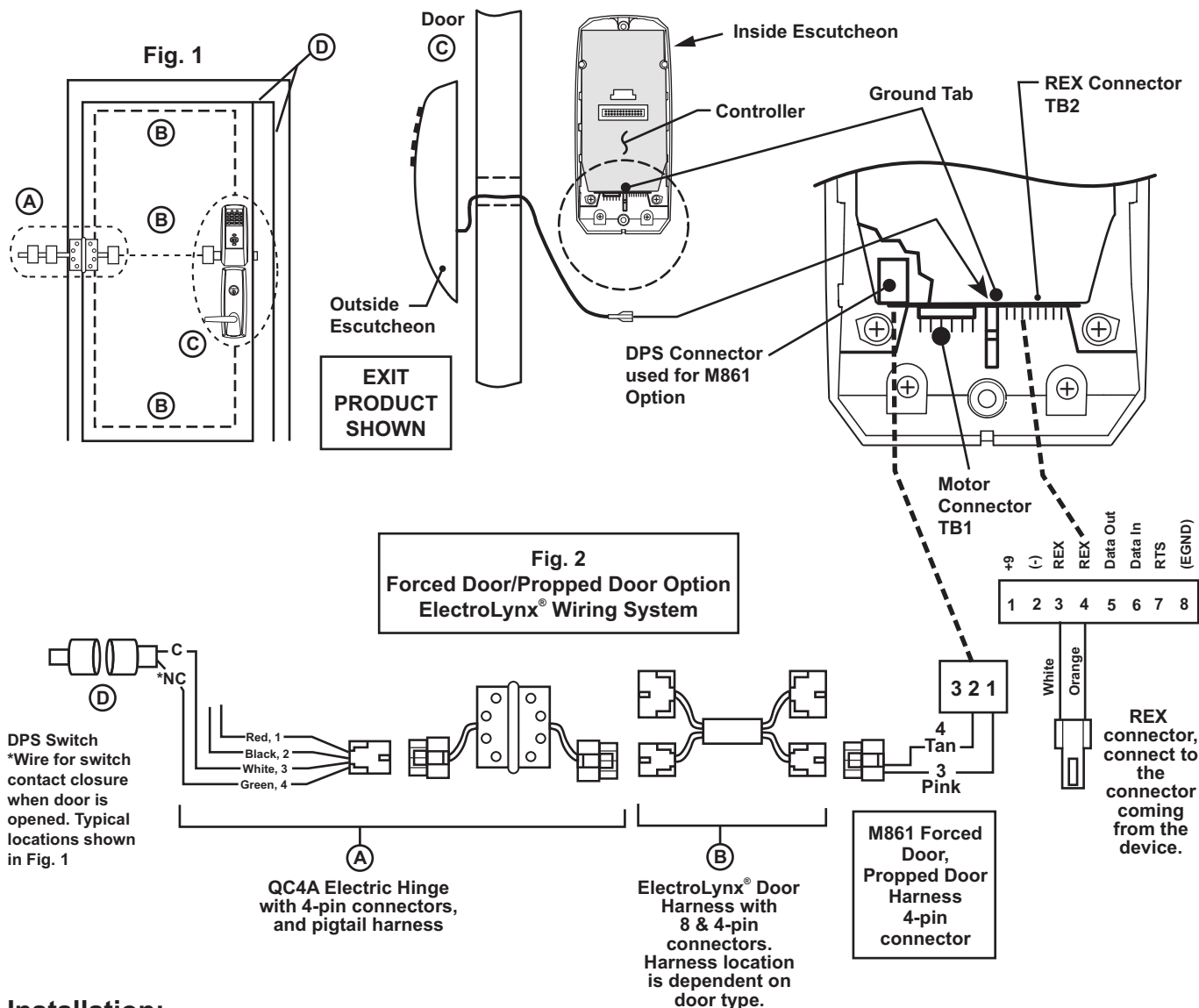
7) ML20800 TCAC2 Hardwiring Instructions

7.4) Illustration with M861 Harness



7) ML20800 TCAC2 Hardwiring Instructions

7.5) M861 Quick Code, Forced Door Propped Door Option

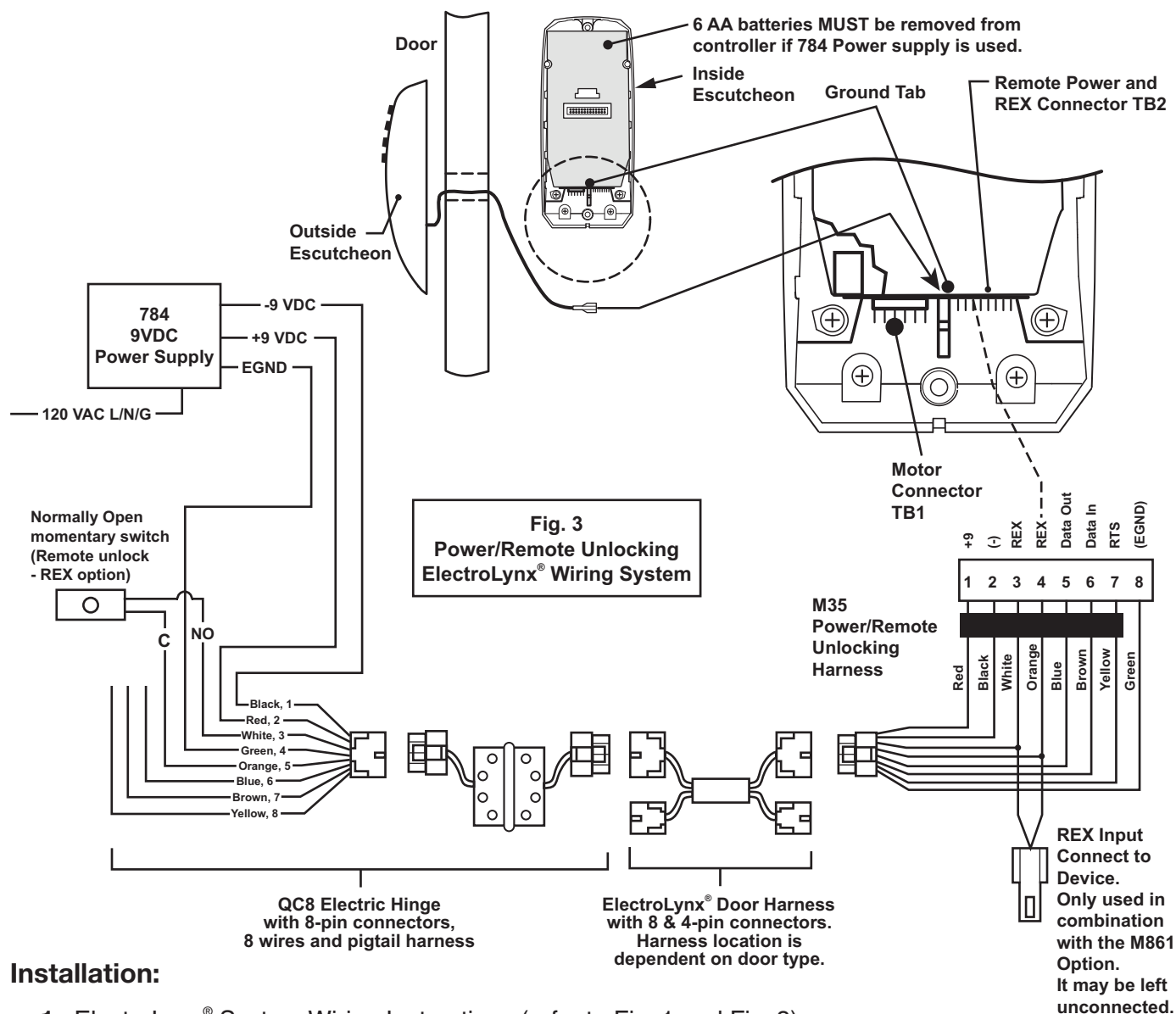


Installation:

1. ElectroLynx® System Wiring Instructions (refer to Fig. 1 and Fig. 2)
 - a. Look for the mating part on ASSA ABLOY doors and frames. Then plug in all connectors as shown in Fig. 2 during product installation.
 - b. Hard wire DPS switch as shown.
2. Non-ElectroLynx® System Wiring Instructions (refer to Fig. 1 and Fig. 2)
 - a. Cut the 4-pin connector off the Forced Door Propped Door harness and hard wire to ElectroLynx® two conductor door harness.
 - b. Hard wire door harness to power transfer device.
 - c. Hard wire DPS switch to power transfer device.

7) ML20800 TCAC2 Hardwiring Instructions

7.6) M35 Power/Remote Unlocking Harness



Installation:

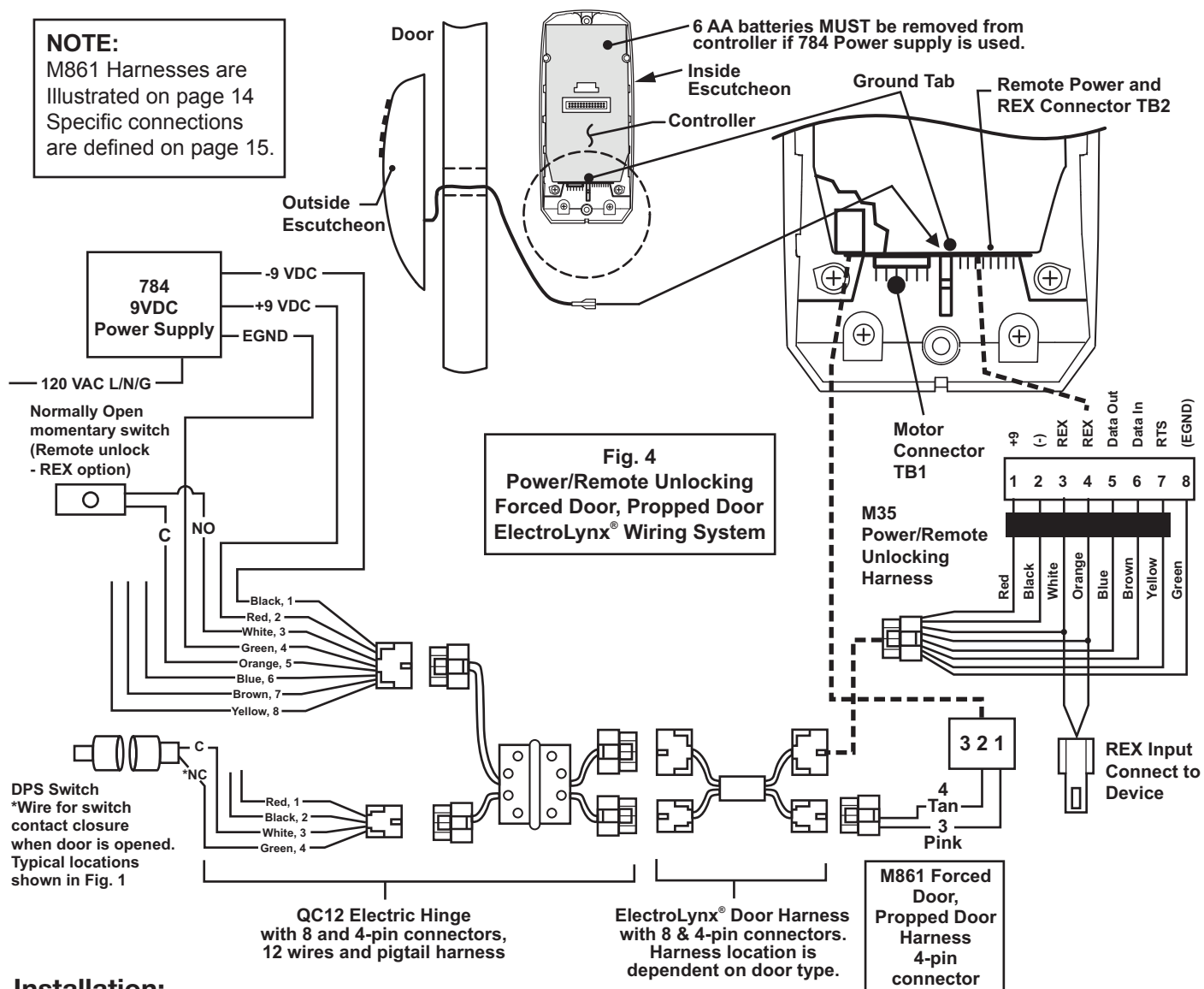
1. ElectroLynx® System Wiring Instructions (refer to Fig. 1 and Fig. 3)
 - a. Look for the mating part on ASSA ABLOY doors and frames. Then plug in all connectors as shown in Fig. 3 during product installation.
 - b. Hard wire 784 power supply as shown.
2. Non-ElectroLynx® System Wiring Instructions (refer to Fig. 1 and Fig. 3)
 - a. Cut the 8-pin connector off the Power/Remote Unlocking harness and hard wire to non-ElectroLynx® door harness. Remote power requires three conductors and remote unlock requires two conductors.
 - b. Hard wire door harness to power transfer device.
 - c. Hard wire 784 power supply as shown.

7) ML20800 TCAC2 Hardwiring Instructions

7.7) M35 Power/Remote Unlocking with M861 Propped Door, Forced Door

NOTE:

M861 Harnesses are illustrated on page 14
Specific connections are defined on page 15.



Installation:

1. ElectroLynx® System Wiring Instructions (refer to Fig. 1 and Fig. 4)
 - a. Look for the mating part on ASSA ABLOY doors and frames. Then plug in all connectors as shown in Fig. 4 during product installation.
 - b. Hard wire forced/propped, hard power and/or remote unlock (REX) as shown.
2. Non-ElectroLynx® System Wiring Instructions (refer to Fig. 1 and Fig. 4)
 - a. Cut the 8-pin connector off the Power/Remote Unlock harness and hard wire to non-ElectroLynx® door harness. Remote power requires three conductors and remote unlock requires two conductors.
 - b. Hard wire door harness to power transfer device.
 - c. Hard wire forced/propped, hard power and/or remote unlock (REX), as shown.

END OF INSTALLATION INSTRUCTIONS

