

EcoFlex[®] Electrified (NAC-) Multi-Point Series Lock with High-Security Monitoring Options

FE6600/BL6600/MP6600 Series

Note

- Disconnect all input power before beginning installation to prevent electrical shock.
- Installer must be a trained, experienced service person.
- All wiring must comply with applicable local electrical codes, ordinances, and regulations.

WARNING

This product can expose you to lead which is known to the state of California to cause cancer and birth defects or other reproductive harm. For more information go to www.P65warnings.ca.gov.

(NAC-) with High-Security Monitoring Options

EcoFlex® Electrified FE6600/BL6600/MP6600 Series Multi-point Lock

Installation & Wiring Instructions



1 Overview

a Description

The NAC- mortise lock provides increased security over typical electrified mortise locks with dead bolt, dead bolt monitoring, request to exit monitoring, and door status monitoring built into a single lock. This lock can also be specified with factory installed and tested end-of-line resistors monitoring the request to exit and door position outputs.

The high security monitoring options of our industry-leading Integrated Wiegand locks are now available in a mortise lock that can be used as a stand-alone electrified lock or in conjunction with a wall reader. Every NAC lock is shipped with door position and request to exit monitoring installed. NAC locks ordered with deadbolt are supplied with deadbolt monitoring.

If your lock is configured with End of Line Resistors, reference instruction sheet FM472 for the wiring of RX & DPS outputs.



CAUTION: The voltage applied to the lock actuator must not exceed 10% of rated voltage.

If the voltage exceeds this value, the actuator may be damaged.

b Specifications/Functions

EcoFlex Actuator

- Type 12/24VDC, Continuous Duty
- Actuator Draw = 15mA
- Maximum two (2) locks per 1Amp power supply (500mA peak current draw)
- Fail Safe Models: NAC- 12VDC and NAC- 24VDC
- Fail Secure Models: NAC- 12VDC and NAC- 24VDC

c ElectroLynx® Connector System Notes

The system is designed to be installation-friendly with connectors from the electric hinge through the door to the lock. External electrical connections are made to a harness that extends from the frame.

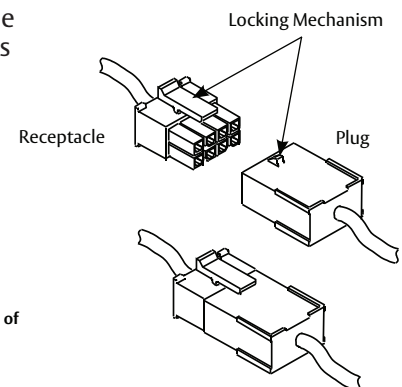
IMPORTANT:

The plug and receptacle connectors are designed to mate and lock together as shown in the illustration. Plug the connectors into each other with the locking mechanism aligned as indicated.

Do NOT force connectors on any other way.

ElectroLynx®

As part of their promise to provide innovative, fast and effective, and higher security solutions to their customers, ASSA ABLOY Group companies offer ElectroLynx, a universal quick-connect system that simplifies the electrification of the door opening. ElectroLynx® is a registered trademark of ASSA ABLOY, Inc.



2 Installation and Wiring

a Installation Notes

Install mortise lock and electric hinge. With new applications, an ElectroLynx® raceway harness with 8 & 4-pin connectors will be pre-installed inside the door by ASSA ABLOY door manufacturer when specified during ordering process. Raceway harness kits are also available for retrofit applications.

If door does not have an ElectroLynx raceway harness with connectors, either consult factory for raceway retrofit kit or cut the connectors off product and hard-wire per facility wiring requirement.

(NAC-) with High-Security Monitoring Options

EcoFlex® Electrified FE6600/BL6600/MP6600 Series Multi-point Lock

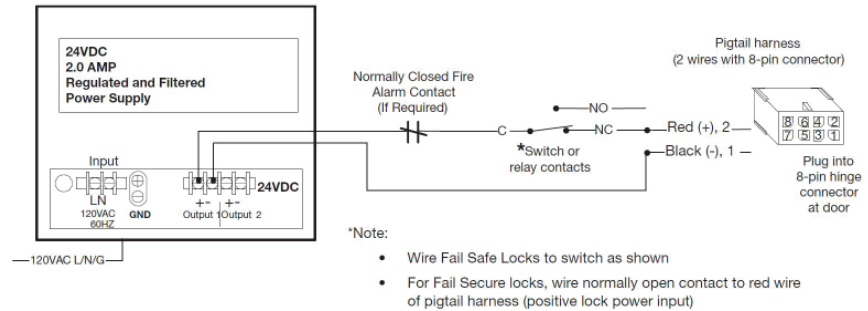
Installation & Wiring Instructions



2 Installation and Wiring, continued

b Installation and Wiring Instructions

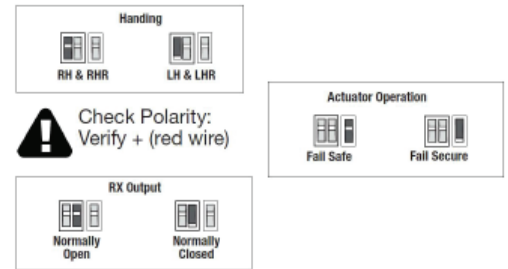
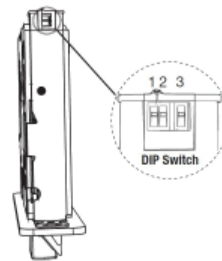
Sample wiring for NAC-24V lock with a 24VDC regulated and filtered power supply.



c Configure DIP Switch Settings

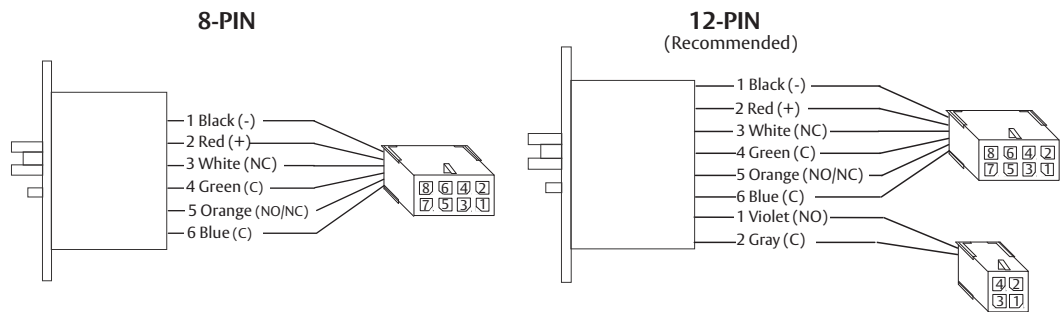
IMPORTANT:

This product is built and factory tested to the configuration specified. Any change to the 3-position DIP-switch settings located at the bottom of the mortise lock body must be made prior to lock installation.



d NAC EcoFlex Mortise Lock Wiring Diagrams

Check polarity: Verify + (red) wire



Connector	8-PIN MOLEX								4-PIN MOLEX			
	1	2	3	4	5	6	7	8	1	2	3	4
Circuit												
Connection	12/24VDC Lock Input		Door Position		Request to Exit		Empty	Empty	Deadbolt Monitoring		Empty	
Wire Color	Black	Red	White	Green	Orange	Blue			Violet	Gray		
Description	NEG	POS	NC	COM	NO/NC	COM			NO	COM		

The ASSA ABLOY Group is the global leader in access solutions. Every day, we help billions of people experience a more open world.

ASSA ABLOY Opening Solutions leads the development within door openings and products for access solutions in homes, businesses and institutions. Our offering includes doors, door and window hardware, locks, access control and service.



Corbin Russwin
225 Episcopal Road
Berlin, CT 06037 USA
Phone: 800-543-3558

For installation assistance contact Corbin Russwin
1-800-543-3658 • techsupport.corbinrusswin@assaabloy.com

Copyright © 2017, 2020, ASSA ABLOY Access and Egress Hardware Group, Inc. All rights reserved. Reproduction in whole or in part without the express written permission of ASSA ABLOY Access and Egress Hardware Group, Inc. is prohibited.

FM459 8/20

Experience a safer
and more open world