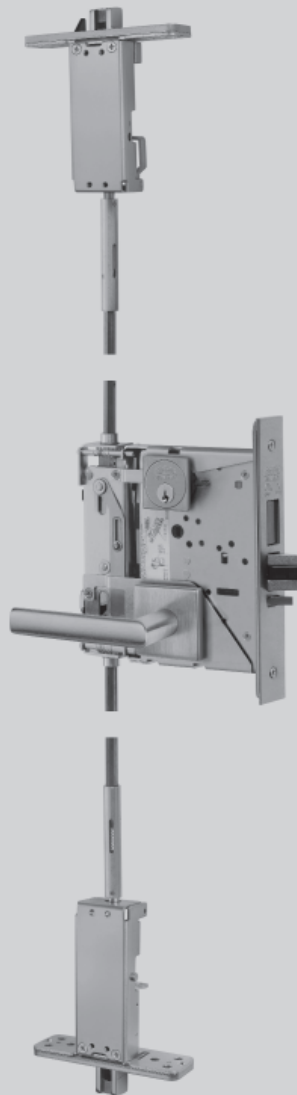


# BL6600/FE6600 Series

## Multi-Point Lock Parts Manual



Experience a safer  
and more open world

 **WARNING**

This product can expose you to lead which is known to the state of California to cause cancer and birth defects or other reproductive harm. For more information go to [www.P65warnings.ca.gov](http://www.P65warnings.ca.gov).

## Templating and Installation

For door templates and installation instructions, please refer to our website at [www.corbinruswin.com](http://www.corbinruswin.com).

## How to Order Parts

1. In order to simplify the ordering procedure and maintain regulatory compliance, parts are only available as listed
2. To order parts, provide the appropriate quantity, part number, finish, hand (when required) and description as directed and illustrated below.

For example, use the following configuration to order:

- A) ten chassis in satin chrome
- B) one dogging indicator in bright brass

	Quantity	Part Number	Finish	Hand	Description
A	10	729F528	626	—	Cassette
B	1	726F64M	605	—	Dogging Indicator

For assistance, contact your authorized Corbin Russwin distributor, sales agency or visit our website at [www.corbinruswin.com](http://www.corbinruswin.com).

## Finishes

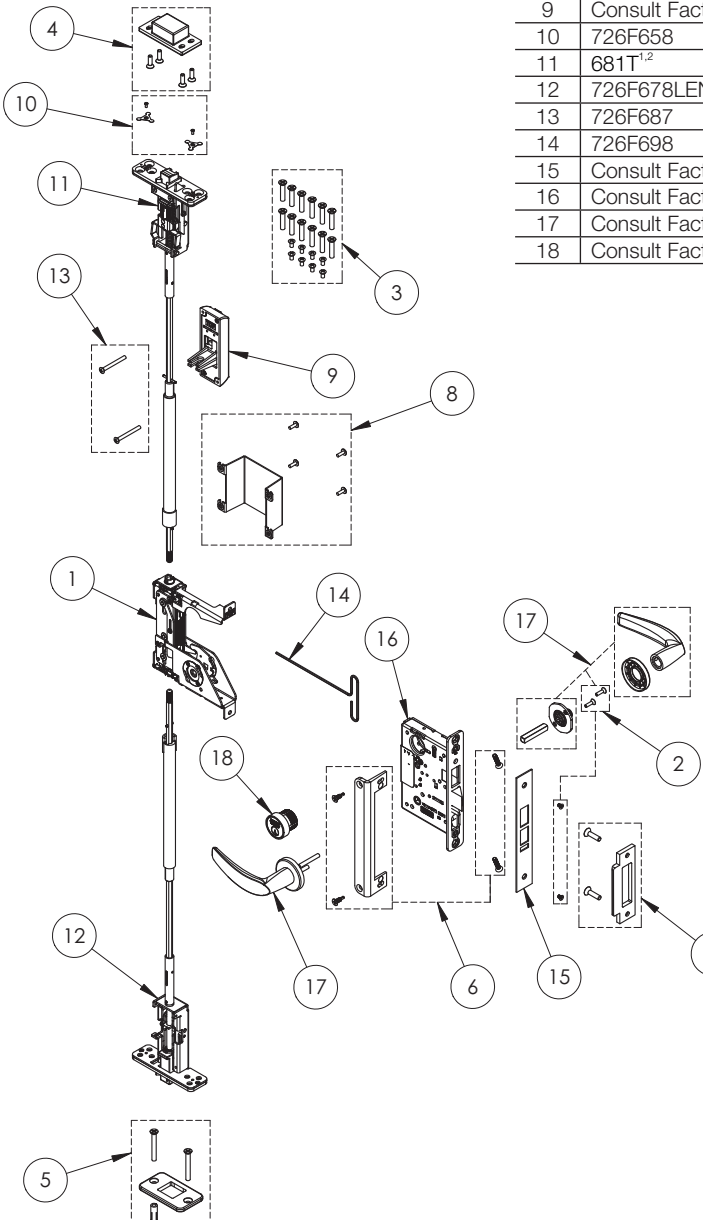
ANSI/BHMA Code	Finish Description
605	Bright Brass, Clear Coated
606	Satin Brass, Clear Coated
611	Bright Bronze, Clear Coated
612	Satin Bronze, Clear Coated
613	Dark Oxidized Satin Bronze, Oil Rubbed
613E	Dark Oxidized Satin Bronze, Equivalent
618	Bright Nickel, Clear Coated
619	Satin Nickel Plated, Clear Coated
625	Bright Chrome Plated
626	Satin Chrome Plated
626C	Satin Chrome Plated with MicroShield®
629	Polished stainless steel
630	Satin stainless steel
630C	Satin stainless steel with Microshield
722	Black Oxidized Satin Bronze, Oil Rubbed

The warranty on Corbin Russwin products becomes void if the product is modified in any way, regardless of whether the modifications causes or contributes to any alleged defect. If a Corbin Russwin product is modified it may no longer meet industry certification and quality control standards applicable to the original product and is no longer a genuine Corbin Russwin product.

Copyright © 2000-2020, ASSA ABLOY Access and Egress Hardware Group, Inc. All rights reserved. Reproduction in whole or in part without the express written permission of ASSA ABLOY Access and Egress Hardware Group, Inc. is prohibited. Patent pending and/or patent [www.assaabloydss.com/patents](http://www.assaabloydss.com/patents). and Egress Hardware Group, Inc. is prohibited. Patent pending and/or patent [www.assaabloydss.com/patents](http://www.assaabloydss.com/patents).

# BL6600/FE6600 Series

Item	Part Number	Description	Sellable
1	726F528	Multipoint Cassette	Yes
2	726F558	Trim Mounting Screw Pack	Yes
3	726F567	Top/Bottom Case Mounting Screw Pack	Yes
4	726F577	Top Strike Pack	Yes
5	726F587	Bottom Strike Pack	Yes
6	726F597 19	Mortise Mounting/Reinforcement Pack	Yes
7	726F607 19	Center Strike Pack	Yes
8	726F618 19	In/Pn Inside Cover Shield Pack	Yes
	726F628 19	Harmony Inside Cover Shield Pack	Yes
	726F638 19	Passport Inside Cover Shield Pack	Yes
9	Consult Factory	Dogging Indicator * (Includes Item 13)	Yes
10	726F658	Screw Retainer Pack	Yes
11	681T <sup>2</sup>	Top Case And Rod Assembly +	Yes
12	726F678LEN	Bottom Case And Rod Assembly +	Yes
13	726F687	Dogging Indicator Screw Pack *	Yes
14	726F698	T-Wrench, 3/32" Adjustment	Yes
15	Consult Factory	O/S Front	Yes
16	Consult Factory	Mortise Lock/Armour Front	Yes
17	Consult Factory	Mortise Trim	Yes
18	Consult Factory	Cylinder	Yes



- 1. Specify door size.
- 2. Specify FE for FE6600 or BL for BL6600.

The warranty on Corbin Russwin products becomes void if the product is modified in any way, regardless of whether the modifications causes or contributes to any alleged defect. If a Corbin Russwin product is modified it may no longer meet industry certification and quality control standards applicable to the original product and is no longer a genuine Corbin Russwin product.

Copyright © 2000-2020, ASSA ABLOY Access and Egress Hardware Group, Inc. All rights reserved. Reproduction in whole or in part without the express written permission of ASSA ABLOY Access and Egress Hardware Group, Inc. is prohibited. Patent pending and/or patent [www.assaabloydss.com/patents](http://www.assaabloydss.com/patents). and Egress Hardware Group, Inc. is prohibited. Patent pending and/or patent [www.assaabloydss.com/patents](http://www.assaabloydss.com/patents).



The ASSA ABLOY Group is the global leader in access solutions. Every day, we help billions of people experience a more open world.

ASSA ABLOY Opening Solutions leads the development within door openings and products for access solutions in homes, businesses and institutions. Our offering includes doors, door and window hardware, locks, access control and service.



For additional information, contact your  
ASSA ABLOY Door Security Solutions  
sales consultant or visit [www.corbinruswin.com](http://www.corbinruswin.com).

**In U.S.**

Corbin Russwin  
225 Episcopal Road  
Berlin, CT 06037  
Phone: 800-543-3658

**In Canada**

ASSA ABLOY Door  
Security Solutions Canada  
160 Four Valley Drive  
Vaughan, Ontario  
Canada L4K 4T9  
Phone: 800-461-3007  
Fax: 800-461-8989  
[www.assaabloydss.ca](http://www.assaabloydss.ca)