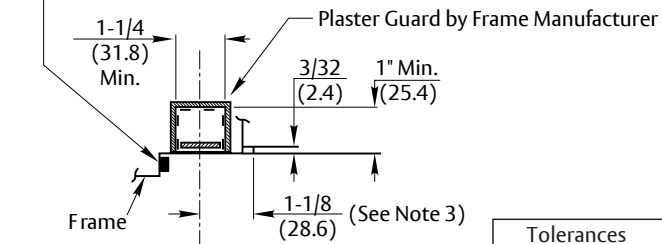


CAUTION: DOOR & FRAME MANUFACTURERS
 When door gasketing or silencers are used, proper allowances must be made for strike location to maintain a common centerline with lock and door as shown so that bolt will freely enter strike.

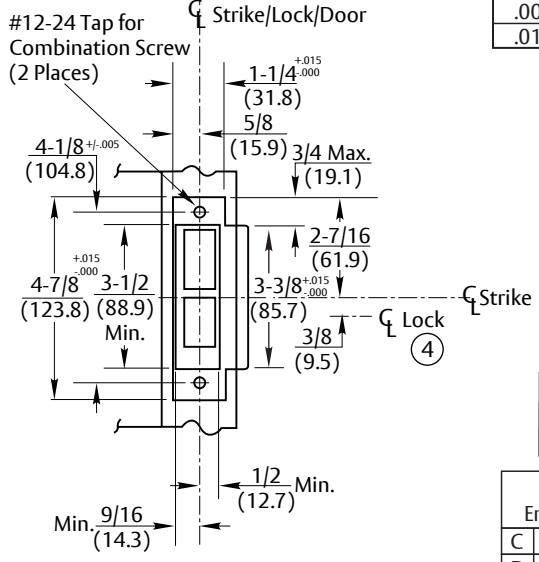
⑤



Tolerances	
Inches	(mm)
.005	(.127)
.015	(.381)

Function	Required Holes						
	A	B	C	D	E	F	G
ML2002		X			X	X	
ML2003	X				X	X	
ML2004	X	X			X	X	
ML2010					X	X	
ML2020				X	X	X	X
ML2022		X			X	X	
ML2024	X		X		X	X	X
ML2029	X	X			X	X	X
ML2030				X	X	X	X
ML2032		X			X	X	
ML2042		X			X	X	
ML2048	X		X		X	X	X
ML2049	X		X		X	X	X
ML2051	X				X	X	
ML2052		X			X	X	
ML2053	X		X		X	X	X
ML2054	X		X		X	X	X
ML2055	X				X	X	

Function	Required Holes						
	A	B	C	D	E	F	G
ML2056	X				X	X	
ML2057	X				X	X	
ML2058	X	X			X	X	X
ML2059	X				X	X	
ML2060				X	X	X	X
ML2062		X			X	X	
ML2065	X	X			X	X	X
ML2067	X	X			X	X	X
ML2068	X	X			X	X	X
ML2069	X	X			X	X	X
ML2072		X			X	X	
ML2073	X				X	X	
ML2075	X	X			X	X	X
ML2082		X			X	X	
ML2087		X			X	X	
ML2090					X	X	
ML2092		X			X	X	



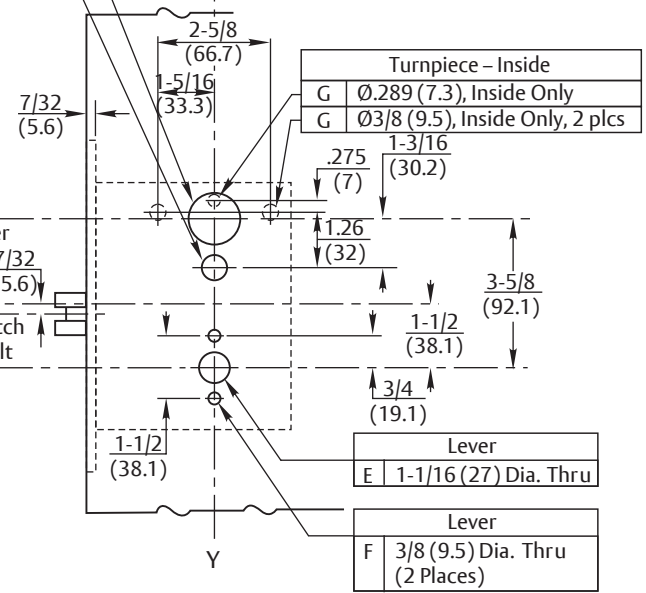
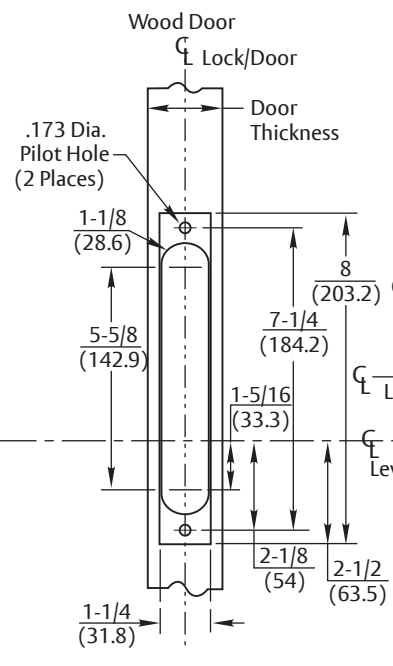
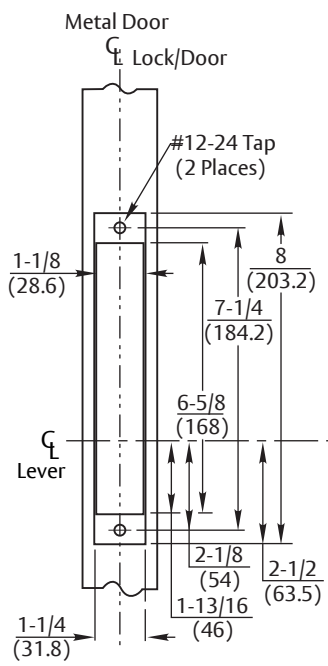
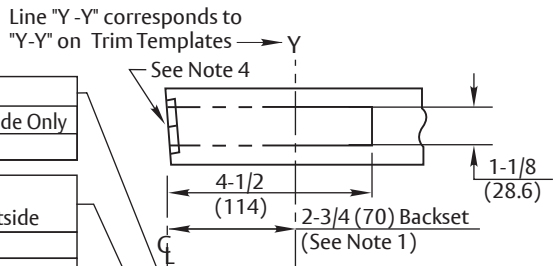
FRAME DETAIL	
ANSI Strike	Description
236L72	Latch & Dead Bolt Holes
236L73	Latch Bolt Hole Only
236L74	Dead Bolt Hole Only

And Optional Box 120F76

- Notes:**
1. Backset is measured from centerline of bevel which is centerpoint of door thickness.
 2. 1-1/8 (28.6) strike lip suits frame for 1-3/4 (44.5) thick door, lip will vary for other door thicknesses.
 3. For open back strike, refer to template T30606.
 4. Bevel 1/8 in 2" (3.2 in 50.8)
 5. Dimensions given in inches and (mm).

Cylinder	
A	1-5/16 (33.3) Dia. - Outside Only
B	1-5/16 (33.3) Dia. Thru

Turnpiece - Inside Emergency Key/Indicator - Outside	
C	Ø5/8 (15.9), Inside Only
D	Ø5/8 (15.9) Thru



RESPONSIBILITY
 DOOR AND FRAME MANUFACTURERS ARE RESPONSIBLE FOR PROVIDING ADEQUATE CONSTRUCTION OR REINFORCEMENTS FOR PROPER INSTALLATION OF HARDWARE SHOWN. ALL ARCHITECTURAL BUILDERS HARDWARE MUST BE INSTALLED ON PROPERLY REINFORCED DOORS AND FRAMES, REGARDLESS OF TYPE, MATERIAL, OR METHOD OF CONSTRUCTION.

**ML2000 Series
BLSS Trim**

Corbin Russwin
ASSA ABLOY
 www.corbinrusswin.com

SUPERSEDES	T31195-4	DO NOT SCALE DRAWING
TEMPLATE NUMBER	T31195-5	SHEET 1 of 1 DATE 03/23