

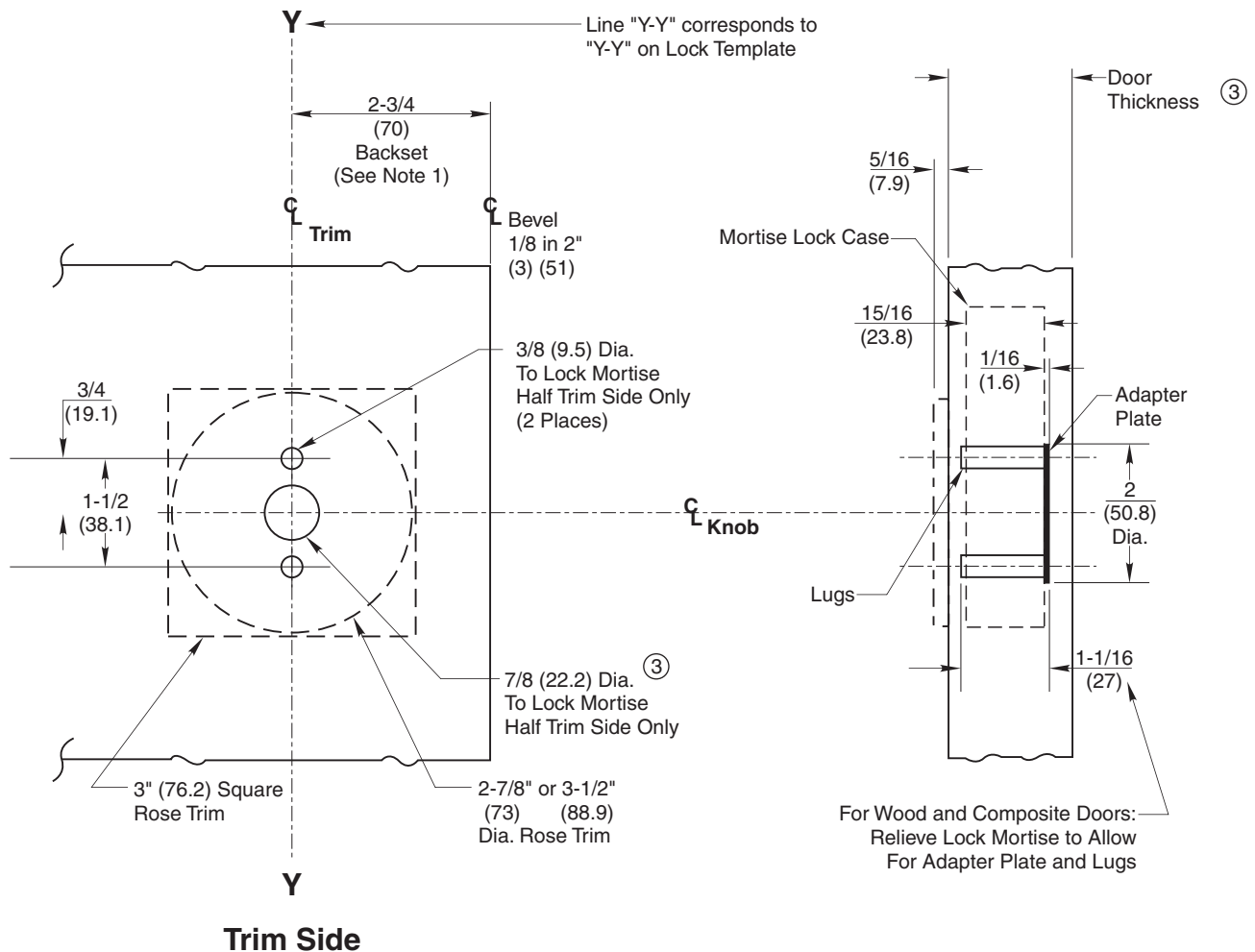
TEMPLATE CROSS REFERENCE

Description	Template
ML2000, ML2200 Series Mortise Lock (HT)	T30607

Notes:

1. Backset is measured from centerline of bevel which is centerpoint of door thickness.
2. Template applies to Knob by Rose designs.
3. Dimensions given in inches and (mm).

Trim	Rose Design
BRC	
BWC	2-7/8" Dia. (73)
GRC	
GWC	
BRD	
BWD	3-1/2" Dia. (88.9)
GRD	
GWD	
BRE	
BWE	3" Square (76.2)
GRE	
GWE	



RESPONSIBILITY

Door and Frame Manufacturers are responsible for providing adequate construction or reinforcements for proper installation of hardware shown. All architectural builders hardware must be installed on properly reinforced doors and frames, regardless of the type, material, or method of construction.

BRC	BWD	GRE
BRD	BWE	GWC
BRE	GRC	GWD
BWC	GRD	GWE

**Mortise Lock Rose
Half Working Trim**



ASSA ABLOY

www.corbinrusswin.com

SUPERSEDES	T30553-2	DO NOT SCALE DRAWING
TEMPLATE NUMBER	T30553-3	DATE 07-14