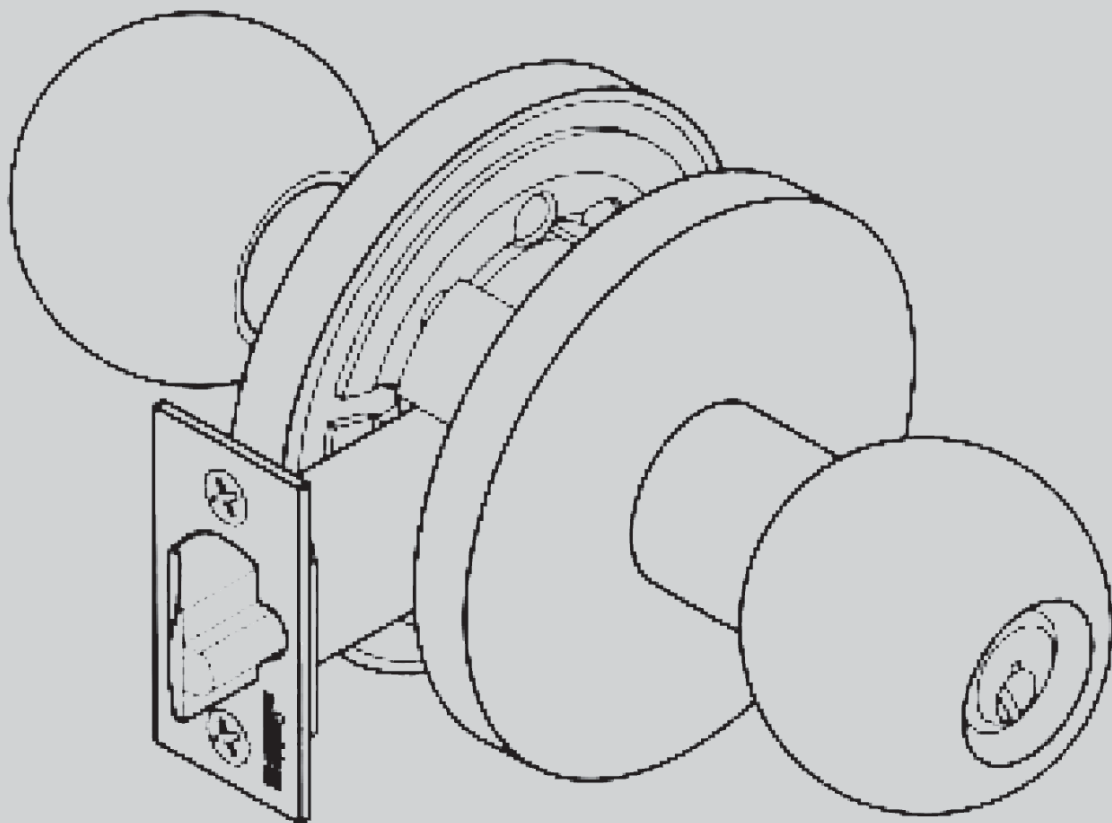


Corbin
Russwin

ASSA ABLOY

CK4200 Series

Heavy-Duty Knob Lockset Parts Manual



ASSA ABLOY, the global leader
in door opening solutions

	Pg.
Quick Conversion	2
Do You Have the Current Model?	3
Parts Lists	
	Lockset Pg. Chassis Pg.
CK4210 Passage or Closet	4 & 5 29
CK4220 Privacy, Bedroom or Bathroom	6 & 7 30
CK4229 Hotel or Motel	8 & 9 31
CK4230 Privacy, Bedroom or Bathroom	10 & 11 30
CK4232 Institution or Utility	12 & 13 32
CK4251 Entrance or Office	14 & 15 33
CK4255 Classroom	16 & 17 34
CK4257 Storeroom or Closet	18 & 19 35
CK4261 Entrance or Office	20 & 21 30
CK4272 Apartment, Exit or Public Toilet	22 & 23 33
CK4275 Dormitory	24 & 25 30
CK4282 Store Door	26 & 27 36
CK4250 Hall Dummy Trim	28
CK4270 Full Dummy Trim	28
Interchangeable Core Configuration	37
Knob Shank Comparison	38
Optional Parts	38 & 39
Cross Reference	
Lockset Parts	40 & 41
Chassis Component Parts	42 & 43
Routine Maintenance	44
Tools	44
Troubleshooting Guide	45
Cylinder Removal Instructions	46 – 48
Appendix A	49 & 50

As of May 1993, Corbin Russwin has introduced a new simplified product numbering system that makes it easy to identify, specify and order a complete line of architectural hardware.

Although the catalog numbers have changed, the part numbers have remained the same. Identifying parts is as easy as it's always been! If you only know the old catalog number, simply use this "Quick Conversion" as a helpful cross reference bridge from the former Corbin and Russwin languages (pre-May 1993) to the current Corbin Russwin language.

Corbin

Function No. Before 5/93	Current Function No.	Page
410	CK4210	4
420	CK4220	6
420Y	CK4230	10
429	CK4229	8
432	CK4232	12
451	CK4251	14
454	CK4272	22
455	CK4255	16
457	CK4257	18
461	CK4261	20
475	CK4275	24
488	CK4282	26
	CK4250	28
	CK4270	28

Trim No. Before 5/93	Current Trim No.
863 Global	GRC
864 Global	GRD
865 Pierce	BRC
866 Pierce	BRD
868 Global	GRE
869 Pierce	BRE

Russwin

Function No. Before 5/93	Current Function No.	Page
410	CK4210	4
420	CK4220	6
ER421	CK4230	10
433EM	CK4229	8
440	CK4251	14
440 ^{5/8}	CK4255	16
446	CK4261	20
446 ^{1/2}	CK4272	22
448 ^{1/2}	CK4282	26
452	CK4257	18
452 ^{1/2}	CK4232	12
463	CK4275	24
	CK4250	28
	CK4270	28

Trim No. Before 5/93	Current Trim No.
Albany	GRD
Andover	GRE
Ashford	GRC
Belmont	BRC
Brockton	BRD
Burbank	BRE

	CK4210 ANSI F75 Passage or Closet		CK4251 ANSI F81 Entrance or Office		CK4275 Dormitory
	CK4220 ANSI F76 Privacy, Bedroom or Bathroom		CK4255 ANSI F84 Classroom		CK4282 ANSI F91 Store Door
	CK4229 ANSI F93 Hotel or Motel		CK4257 ANSI F86 Storeroom or Closet		CK4250 Half Dummy Trim
	CK4230 ANSI F76 Privacy, Bedroom or Bathroom		CK4261 ANSI F82 Entrance or Office		CK4270 Full Dummy Trim
	CK4232 ANSI F87 Institution or Utility		CK4272 ANSI F88 Apartment, Exit or Public Toilet		

(Shading indicates rigid knob.)

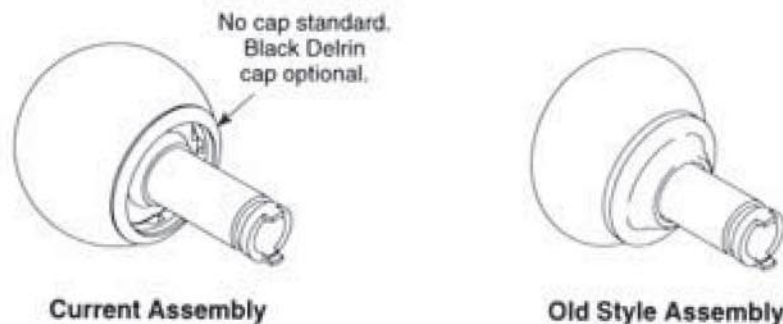
Do You Have the Current Model?

The CK4200 Series cylindrical lockset was introduced in 1952. Since that time, the internal design has undergone three stages of improvements: Model 64, Model 68 and Model 76 (current) were introduced in those years. The exploded views and parts lists in this book apply to Model 76. However, many

parts are the same as those used in earlier models.

The cylinders underwent a major change for the introduction of Model 64. All cylinders for the original model had variously shaped actuators pinned to the plug. Model 64 was the first model to use the current 2000-052 cylinder.

Unfortunately, those old cylinders have been discontinued for several years. Appendix A contains a pictorial reference for the old style cylinders, as replacements are still needed and some distributors still have old inventory available.

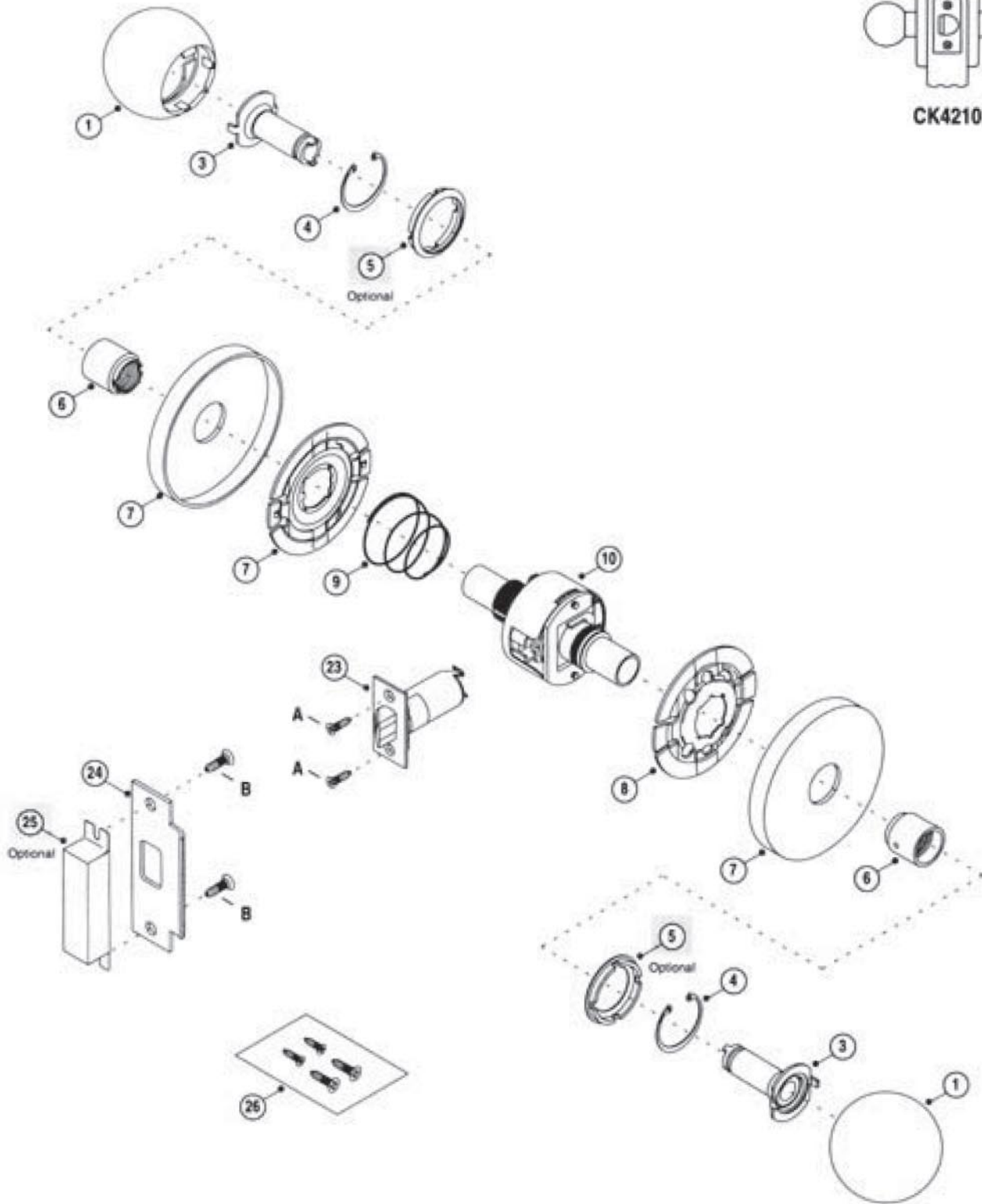
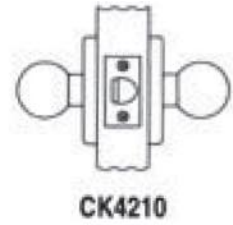


ITEM	PART NO.	SPECIFY	DESCRIPTION
1	(see chart below)		Knob; plain both sides
3	019F30-8*		Knob Shank
4	219F80-8*		Shank Retainer
5	493F99-9		Knob Filler, black Delrin M01 option
6	399F51 399F53 399F50 399F52	fin	Thimble inside, 1 ³ / ₄ " - 2" door inside, 2 ¹ / ₈ " - 2 ¹ / ₂ " door outside, 1 ³ / ₄ " - 2" door outside, 2 ¹ / ₈ " - 2 ¹ / ₂ " door
7	398F71 398F72 406F22	fin	Rose C Design (2 ⁷ / ₈ " dia.) D Design (3 ¹ / ₂ " dia.) E Design (3" sq.)
8	398F70-8* 398F69-8* 404F67-8*		Rose Liner inside outside, 1 ³ / ₄ " - 2" outside, 2 ¹ / ₈ " - 2 ¹ / ₂ "

ITEM	PART NO.	SPECIFY	DESCRIPTION
9	418F08-8*		Spring
10	398F75-8*		Chassis Ass'y (see page 29 for component parts)
23	486F83-M*	fin	Latch Assembly; 2 ³ / ₄ " backset (see page 38 for options)
24	217L13LEN	fin	ANSI Strike (see page 39 for options)
25	120F76-8		ANSI Wrought Strike Box M17 option
26	604F22	fin	Screw Packet for mounting latch assembly & ANSI strike, containing: A 2 - #8 x 1 ¹ / ₁₆ " Phillips Head Combination Screws B 2 - #12 x 1 ⁵ / ₁₆ " Phillips Head Combination Screws (see page 39 for options)

Knobs (Specify Finish)	Standard				M26 Option Non-Ferrous			
	Regular		Knurled		Regular		Knurled	
	Global	Belmont	Global	Belmont	Global	Belmont	Global	Belmont
Plain	383F66	406F33	575F58	575F64	383F69	406F36	575F61	575F67

*For M26 Option, change "-8" or "-M" to "-7".

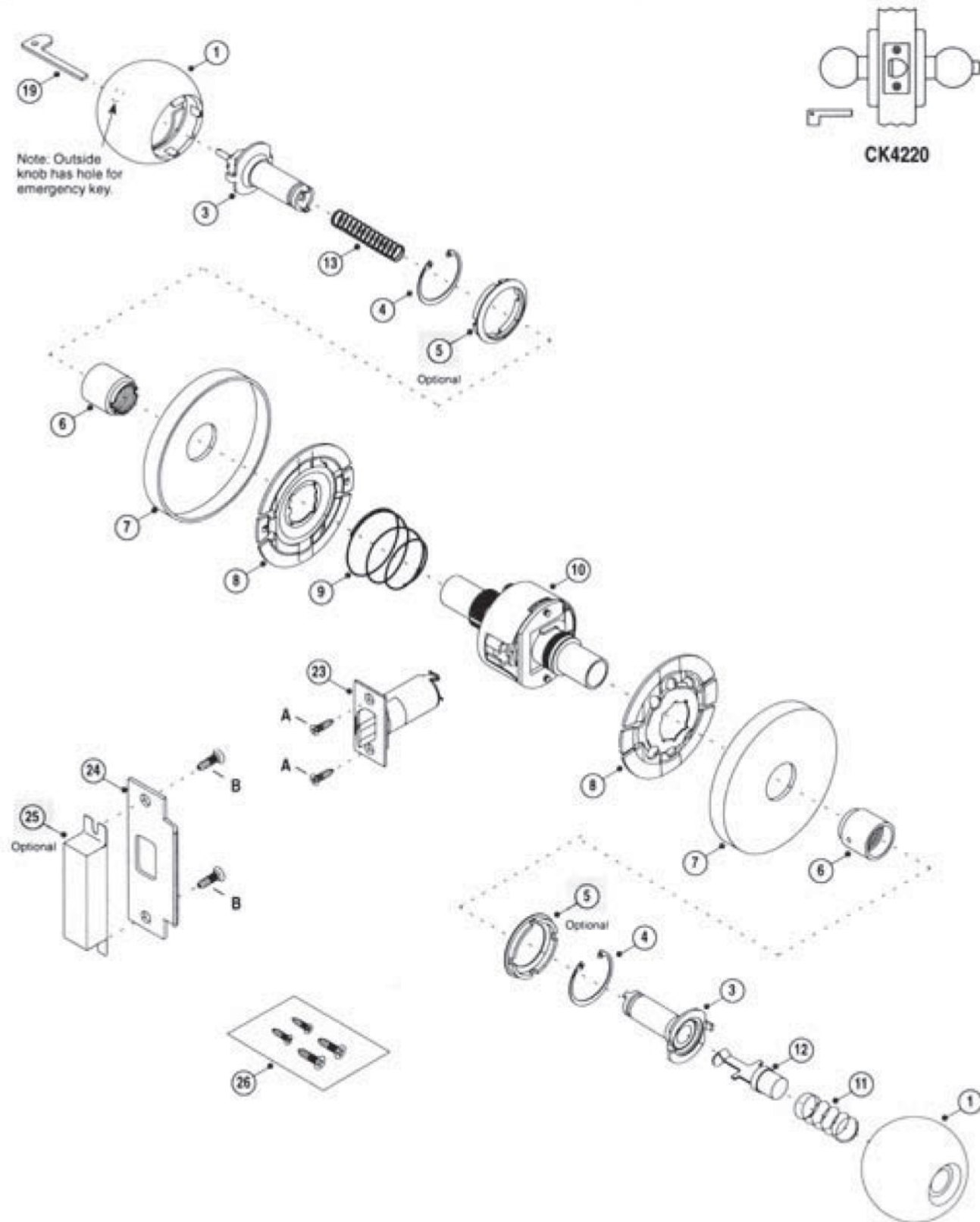


ITEM	PART NO.	SPECIFY	DESCRIPTION
1	(see chart below)		Knob; privacy key outside by button inside
3	019F30-8* 317F64-8*		Knob Shank inside outside
4	219F80-8*		Shank Retainer
5	493F99-9		Knob Filler, black Delrin M01 option
6	399F51 399F53 399F50 399F52	fin	Thimble inside, 1 ³ / ₄ " - 2" door inside, 2 ¹ / ₈ " - 2 ¹ / ₂ " door outside, 1 ³ / ₄ " - 2" door outside, 2 ¹ / ₈ " - 2 ¹ / ₂ " door
7	398F71 398F72 406F22	fin	Rose C Design (2 ⁷ / ₈ " dia.) D Design (3 ¹ / ₂ " dia.) E Design (3" sq.)
8	398F70-8* 398F69-8* 404F67-8*		Rose Liner inside outside, 1 ³ / ₄ " - 2" outside, 2 ¹ / ₈ " - 2 ¹ / ₂ "
9	418F08-8*		Spring

ITEM	PART NO.	SPECIFY	DESCRIPTION
10	398F64-8*		Chassis Ass'y (see page 30 for component parts)
11	022F72-3		Spring, Push Button
12	022F80	fin	Push Button Assembly
13	049F94-7		Spring, Spindle
19	398F43-8		Emergency Key
23	486F83-M*	fin	Latch Assembly; 2 ³ / ₄ " backset (see page 38 for options)
24	217L13LEN	fin	ANSI Strike (see page 39 for options)
25	120F76-8		ANSI Wrought Strike Box M17 option
26	604F22	fin	Screw Packet for mounting latch assembly & ANSI strike, containing: A 2 - #8 x 1 ¹ / ₁₆ " Phillips Head Combination Screws B 2 - #12 x 1 ⁵ / ₁₆ " Phillips Head Combination Screws (see page 39 for options)

Knobs (Specify Finish)	Standard				M26 Option Non-Ferrous			
	Regular		Knurled		Regular		Knurled	
	Global	Belmont	Global	Belmont	Global	Belmont	Global	Belmont
Cylinder or Button	383F65	406F32	575F57	575F63	383F68	406F35	575F60	575F66
Privacy Key Hole	383F67	406F34	575F59	575F65	383F70	406F37	575F62	575F68

*For M26 Option, change "-8" or "-M" to "-7".

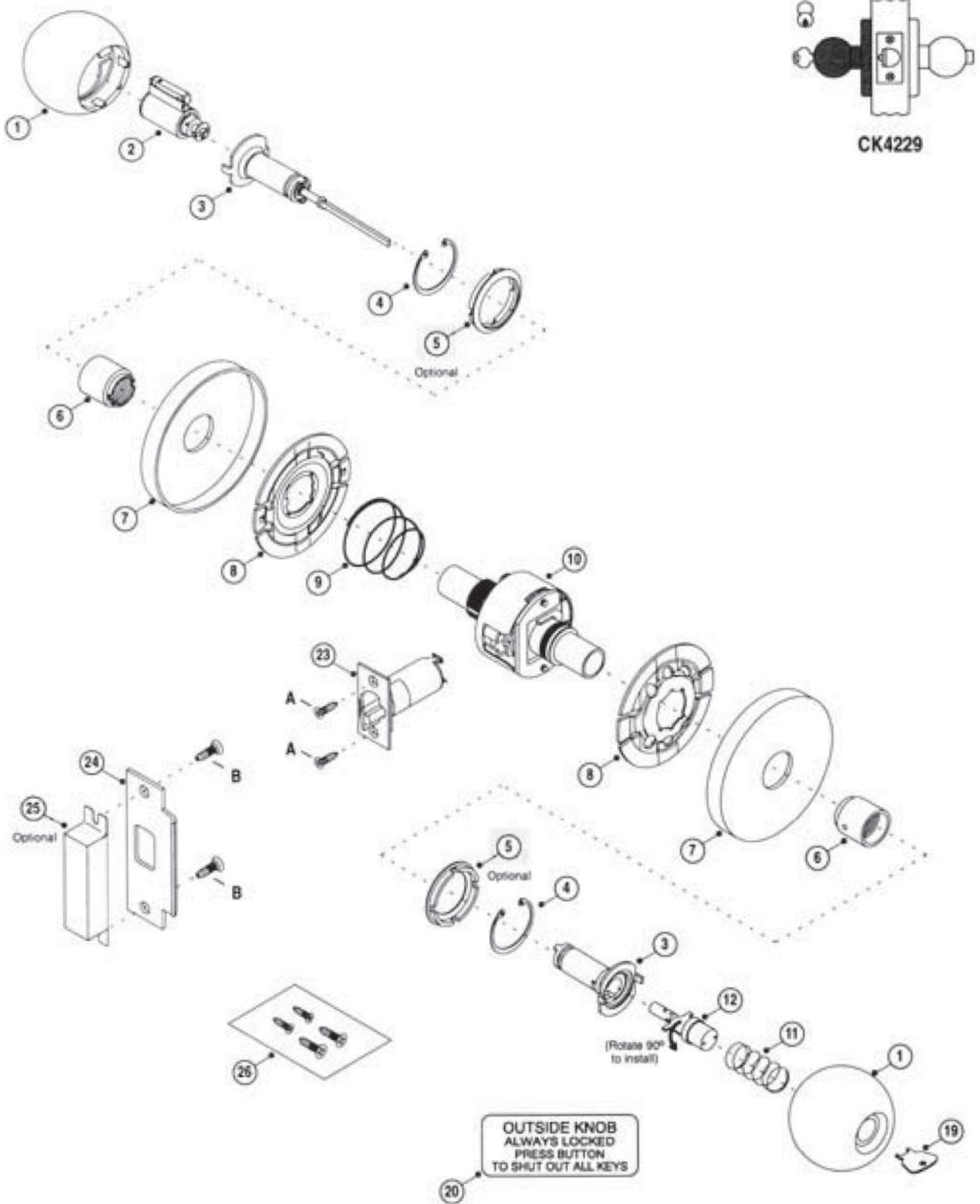


ITEM	PART NO.	SPECIFY	DESCRIPTION
1	(see chart below)		Knob; cylinder/button both sides
2	2001-052		Cylinder, hotel function (see page 39 for options)
3	072F44-8* 405F10-8*		Knob Shank inside outside
4	219F80-8*		Shank Retainer
5	493F99-9		Knob Filler, black Delrin M01 option
6	399F51 399F53 399F50 399F52	fin	Thimble inside, 1 ³ / ₄ " - 2" door inside, 2 ¹ / ₈ " - 2 ¹ / ₂ " door outside, 1 ³ / ₄ " - 2" door outside, 2 ¹ / ₈ " - 2 ¹ / ₂ " door
7	398F71 398F72 406F22	fin	Rose C Design (2 ⁷ / ₈ " dia.) D Design (3 ¹ / ₂ " dia.) E Design (3" sq.)
8	398F70-8* 398F69-8* 404F67-8*		Rose Liner inside outside, 1 ³ / ₄ " - 2" outside, 2 ¹ / ₈ " - 2 ¹ / ₂ "

ITEM	PART NO.	SPECIFY	DESCRIPTION
9	418F08-8*		Spring
10	398F66-8*		Chassis Ass'y (see page 31 for component parts)
11	022F72-3		Spring, Push Button
12	336F04	fin	Push Button Assembly
20	410F66-9		Instruction Label
23	486F89-M*	fin	Latch Assembly; 2 ³ / ₄ " backset (see page 38 for options)
24	217L13LEN	fin	ANSI Strike (see page 39 for options)
25	120F76-8		ANSI Wrought Strike Box M17 option
26	604F22	fin	Screw Packet for mounting latch assembly & ANSI strike, containing: A 2 - #8 x ¹¹ / ₁₆ " Phillips Head Combination Screws B 2 - #12 x ¹⁵ / ₁₆ " Phillips Head Combination Screws (see page 39 for options)

Knobs (Specify Finish)	Standard				M26 Option Non-Ferrous			
	Regular		Knurled		Regular		Knurled	
	Global	Belmont	Global	Belmont	Global	Belmont	Global	Belmont
Cylinder or Button	383F65	406F32	575F57	575F63	383F68	406F35	575F60	575F66

*For M26 Option, change *-8" or *-M" to *-7".

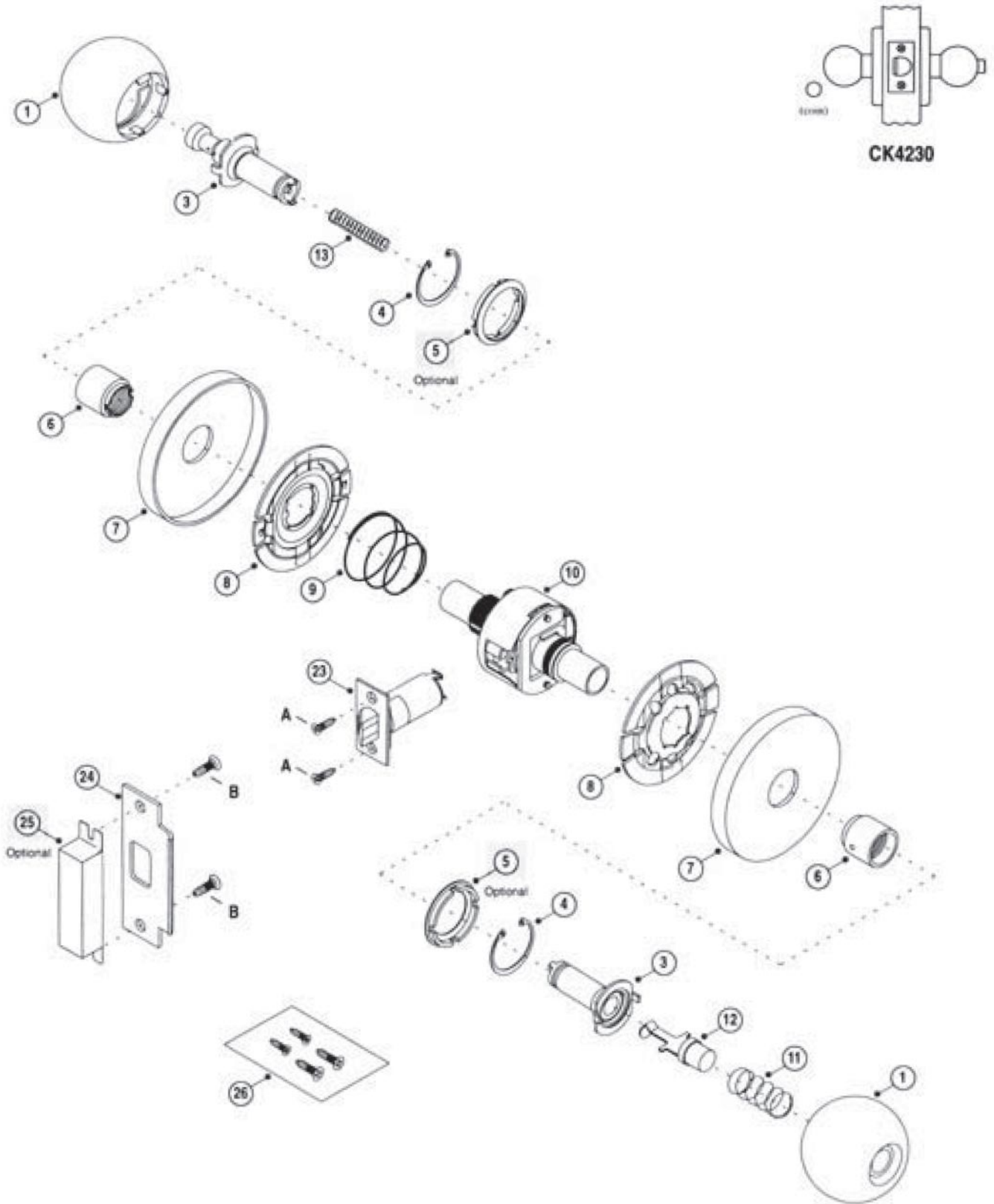


ITEM	PART NO.	SPECIFY	DESCRIPTION
1	(see chart below)		Knob; privacy key outside by push button inside
3	019F30-8* 377F81-8*	fin	Knob Shank inside outside assy. with release
4	219F80-8*		Shank Retainer
5	493F99-9		Knob Filler, black Delrin M01 option
6	399F51 399F53 399F50 399F52	fin	Thimble inside, 1 ³ / ₄ " - 2" door inside, 2 ¹ / ₈ " - 2 ¹ / ₂ " door outside, 1 ³ / ₄ " - 2" door outside, 2 ¹ / ₈ " - 2 ¹ / ₂ " door
7	398F71 398F72 406F22	fin	Rose C Design (2 ⁷ / ₈ " dia.) D Design (3 ¹ / ₂ " dia.) E Design (3" sq.)
8	398F70-8* 398F69-8* 404F67-8*		Rose Liner inside outside, 1 ³ / ₄ " - 2" outside, 2 ¹ / ₈ " - 2 ¹ / ₂ "

ITEM	PART NO.	SPECIFY	DESCRIPTION
9	418F08-8*		Spring
10	398F64-8*		Chassis Ass'y (see page 30 for component parts)
11	022F72-3		Spring, Push Button
12	022F80	fin	Push Button Assembly
13	312F23-3		Spring, Spindle
23	486F83-M*	fin	Latch Assembly; 2 ³ / ₄ " backset (see page 38 for options)
24	217L13LEN	fin	ANSI Strike (see page 39 for options)
25	120F76-8		ANSI Wrought Strike Box M17 option
26	604F22	fin	Screw Packet for mounting latch assembly & ANSI strike, containing: A 2 - #8 x 1 ¹ / ₁₆ " Phillips Head Combination Screws B 2 - #12 x 1 ⁵ / ₁₆ " Phillips Head Combination Screws (see page 39 for options)

Knobs (Specify Finish)	Standard				M26 Option Non-Ferrous			
	Regular		Knurled		Regular		Knurled	
	Global	Belmont	Global	Belmont	Global	Belmont	Global	Belmont
Cylinder or Button	383F65	406F32	575F57	575F63	383F68	406F35	575F60	575F66

*For M26 Option, change "-8" or "-M" to "-7".

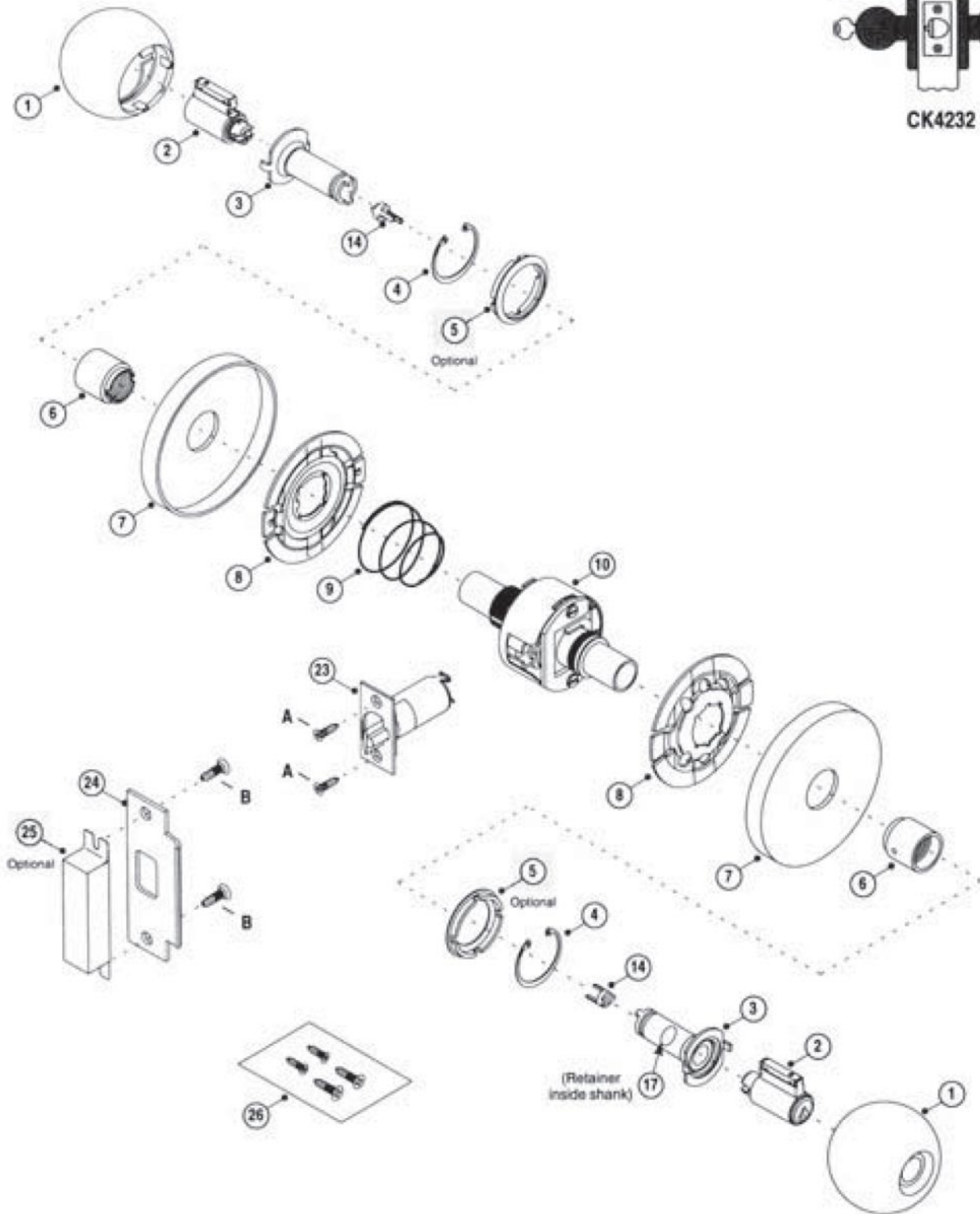
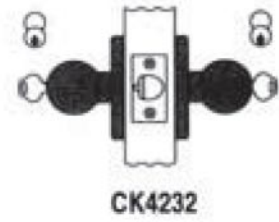


ITEM	PART NO.	SPECIFY	DESCRIPTION
1	(see chart below)		Knob; cylinder both sides
2	2000-052		Cylinder (see page 39 for options)
3	168F71-8* 019F30-8*		Knob Shank inside outside
4	219F80-8*		Shank Retainer
5	493F99-9		Knob Filler, black Delrin M01 option
6	399F51 399F53 399F50 399F52	fin	Thimble inside, 1 ³ / ₄ " - 2" door inside, 2 ¹ / ₈ " - 2 ¹ / ₂ " door outside, 1 ³ / ₄ " - 2" door outside, 2 ¹ / ₈ " - 2 ¹ / ₂ " door
7	398F71 398F72 406F22	fin	Rose C Design (2 ⁷ / ₈ " dia.) D Design (3 ¹ / ₂ " dia.) E Design (3" sq.)
8	398F70-8* 404F64-8* 408F68-8*		Rose Liner inside outside, 1 ³ / ₄ " - 2" outside, 2 ¹ / ₈ " - 2 ¹ / ₂ "

ITEM	PART NO.	SPECIFY	DESCRIPTION
9	418F08-8*		Spring
10	401F00-8*		Chassis Ass'y (see page 32 for component parts)
14	144F29-8*		Plug Driver
17	168F58-3		Retainer in knob shank
23	486F89-M*	fin	Latch Assembly; 2 ³ / ₄ " backset (see page 38 for options)
24	217L13LEN	fin	ANSI Strike (see page 39 for options)
25	120F76-8		ANSI Wrought Strike Box M17 option
26	604F22	fin	Screw Packet for mounting latch assembly & ANSI strike, containing: A 2 - #8 x ¹¹ / ₁₆ " Phillips Head Combination Screws B 2 - #12 x ¹⁵ / ₁₆ " Phillips Head Combination Screws (see page 39 for options)

Knobs (Specify Finish)	Standard				M26 Option Non-Ferrous			
	Regular		Knurled		Regular		Knurled	
	Global	Belmont	Global	Belmont	Global	Belmont	Global	Belmont
Cylinder or Button 6-Pin IC	383F65	406F32	575F57	575F63	383F68	406F35	575F60	575F66
	482F75	438F79	577F54	577F59	—	—	—	—

*For M26 Option, change *-8" or *-M" to *-7".

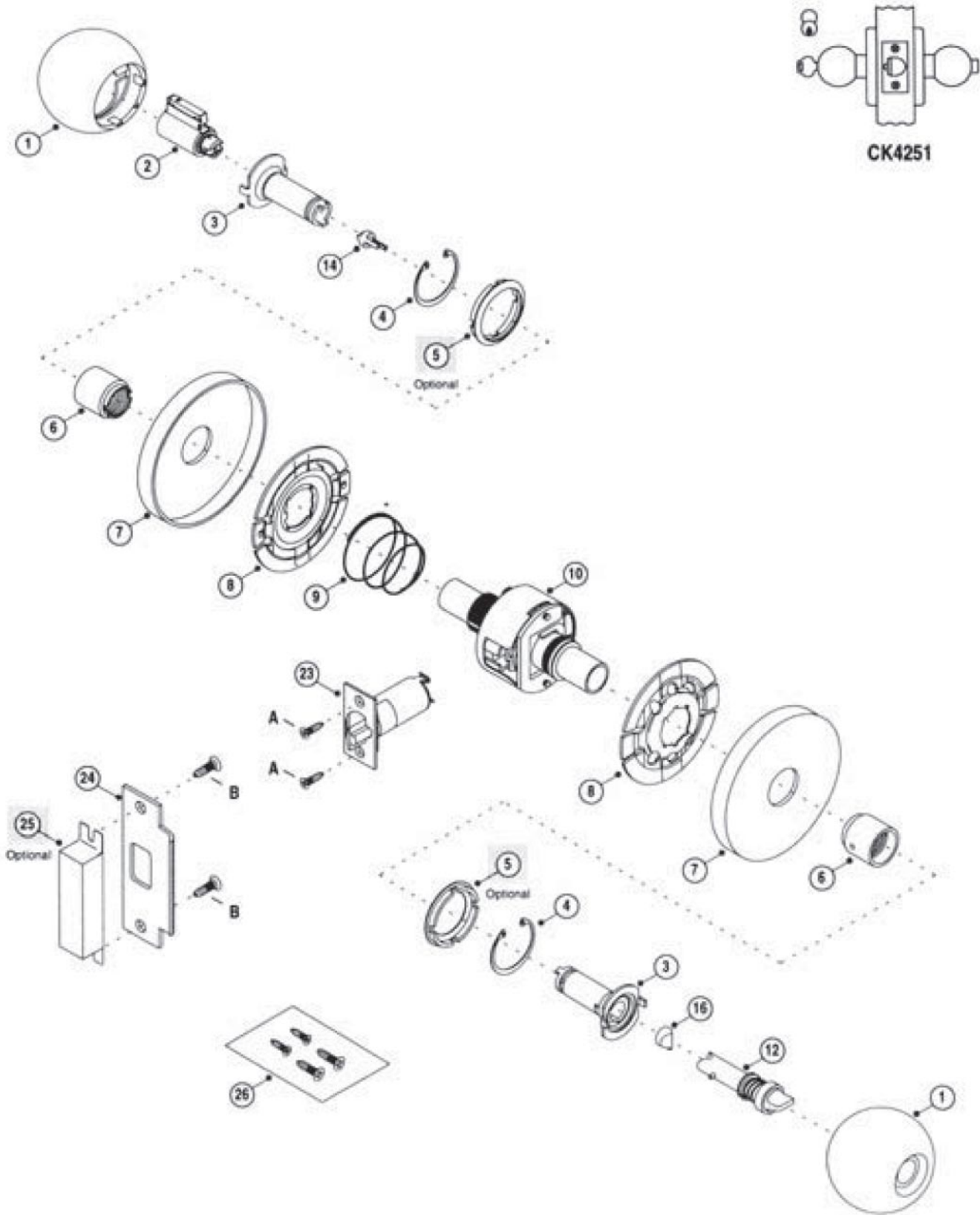


ITEM	PART NO.	SPECIFY	DESCRIPTION
1	(see chart below)		Knob; cylinder outside by turn button inside
2	2000-052		Cylinder (see page 39 for options)
3	024F92-8* 019F30-8*		Knob Shank inside outside
4	219F80-8*		Shank Retainer
5	493F99-9		Knob Filler, black Delrin M01 option
6	399F51 399F53 399F50 399F52	fin	Thimble inside, 1 ³ / ₄ " - 2" door inside, 2 ¹ / ₈ " - 2 ¹ / ₂ " door outside, 1 ³ / ₄ " - 2" door outside, 2 ¹ / ₈ " - 2 ¹ / ₂ " door
7	398F71 398F72 406F22	fin	Rose C Design (2 ⁷ / ₈ " dia.) D Design (3 ¹ / ₂ " dia.) E Design (3" sq)
8	398F70-8* 398F69-8* 404F67-8*		Rose Liner inside outside, 1 ³ / ₄ " - 2" outside, 2 ¹ / ₈ " - 2 ¹ / ₂ "

ITEM	PART NO.	SPECIFY	DESCRIPTION
9	418F08-8*		Spring
10	398F87-8*		Chassis Ass'y (see page 33 for component parts)
12	157F11-8	fin	Turn Button Assembly
14	144F29-8*		Plug Driver
16	205F61-8*		Plug Driver Assembly Follower
23	486F89-M*	fin	Latch Assembly; 2 ³ / ₄ " backset (see page 38 for options)
24	217L13LEN	fin	ANSI Strike (see page 39 for options)
25	120F76-8		ANSI Wrought Strike Box M17 option
26	604F22	fin	Screw Packet for mounting latch assembly & ANSI strike, containing: A 2 - #8 x ¹¹ / ₁₆ " Phillips Head Combination Screws B 2 - #12 x ¹⁵ / ₁₆ " Phillips Head Combination Screws (see page 39 for options)

Knobs (Specify Finish)	Standard				M26 Option Non-Ferrous			
	Regular		Knurled		Regular		Knurled	
	Global	Belmont	Global	Belmont	Global	Belmont	Global	Belmont
Cylinder or Button 6-Pin IC	383F65 482F75	406F32 438F79	575F57 577F54	575F63 577F59	383F68 —	406F35 —	575F60 —	575F66 —

*For M26 Option, change *-8" or *-M" to *-7".

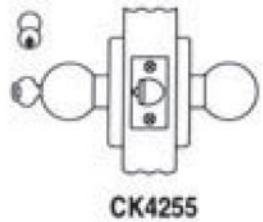
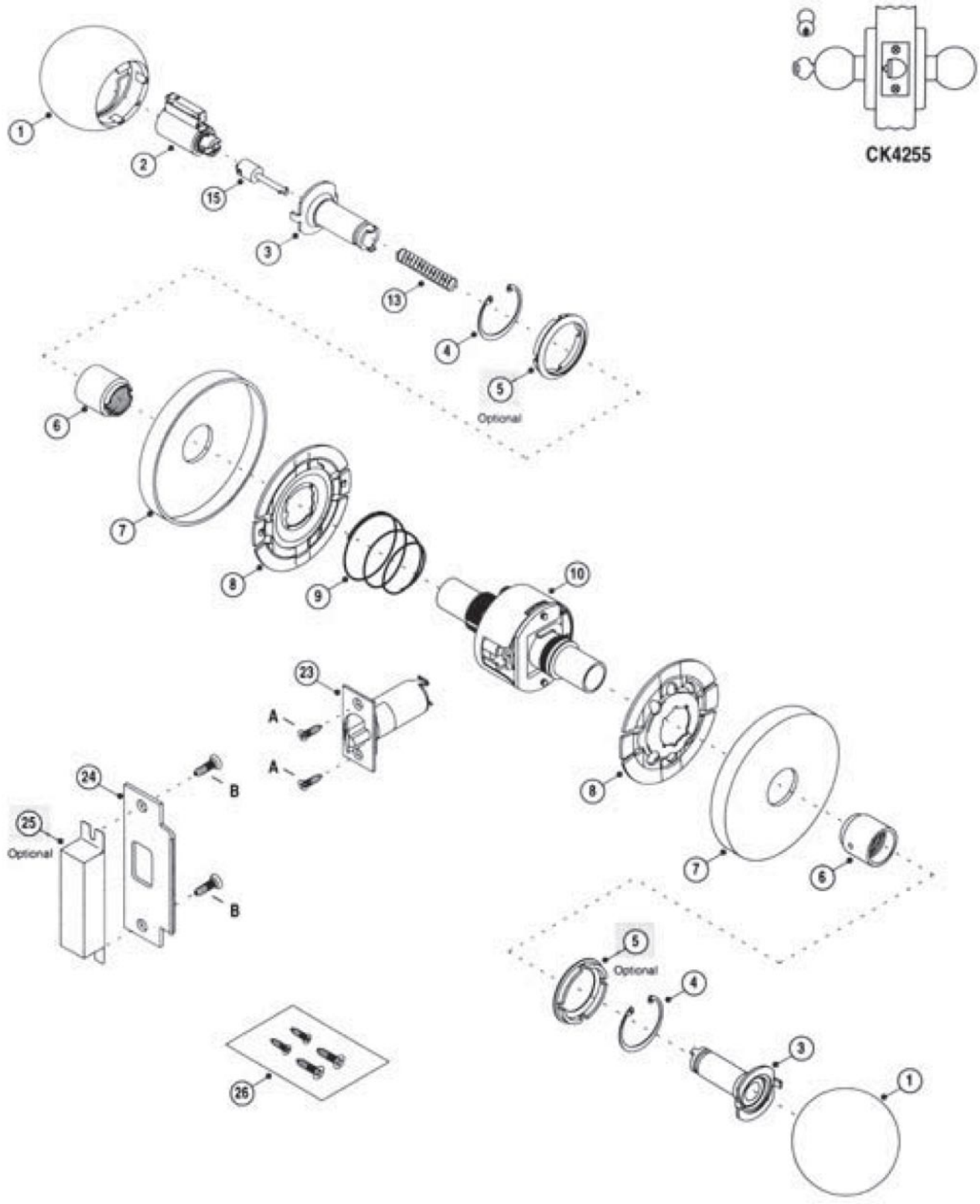


ITEM	PART NO.	SPECIFY	DESCRIPTION
1	(see chart below)		Knob; cylinder outside by plain inside
2	2000-052		Cylinder (see page 39 for options)
3	019F30-8* 019F31-8*		Knob Shank inside outside
4	219F80-8*		Shank Retainer
5	493F99-9		Knob Filler, black Delrin M01 option
6	399F51 399F53 399F50 399F52	fin	Thimble inside, 1 ³ / ₄ " - 2" door inside, 2 ¹ / ₈ " - 2 ¹ / ₂ " door outside, 1 ³ / ₄ " - 2" door outside, 2 ¹ / ₈ " - 2 ¹ / ₂ " door
7	398F71 398F72 406F22	fin	Rose C Design (2 ⁷ / ₈ " dia.) D Design (3 ¹ / ₂ " dia.) E Design (3" sq.)
8	398F70-8* 398F69-8* 404F67-8*		Rose Liner inside outside, 1 ³ / ₄ " - 2" outside, 2 ¹ / ₈ " - 2 ¹ / ₂ "

ITEM	PART NO.	SPECIFY	DESCRIPTION
9	418F08-8*		Spring
10	398F88-8*		Chassis Ass'y (see page 34 for component parts)
13	312F23-3		Spring, Spindle
15	349F01-8*		Plug Driver Assembly
23	486F89-M*	fin	Latch Assembly; 2 ³ / ₄ " backset (see page 38 for options)
24	217L13LEN	fin	ANSI Strike (see page 39 for options)
25	120F76-8		ANSI Wrought Strike Box M17 option
26	604F22	fin	Screw Packet for mounting latch assembly & ANSI strike, containing: A 2 - #8 x 1 ¹ / ₁₆ " Phillips Head Combination Screws B 2 - #12 x 1 ⁵ / ₁₆ " Phillips Head Combination Screws (see page 39 for options)

Knobs (Specify Finish)	Standard				M26 Option Non-Ferrous			
	Regular		Knurled		Regular		Knurled	
	Global	Belmont	Global	Belmont	Global	Belmont	Global	Belmont
Cylinder or Button	383F65	406F32	575F57	575F63	383F68	406F35	575F60	575F66
6-Pin IC	482F75	438F79	577F54	577F59	—	—	—	—
Plain	383F66	406F33	575F58	575F64	383F69	406F36	575F61	575F67

*For M26 Option, change "-8" or "-M" to "-7".

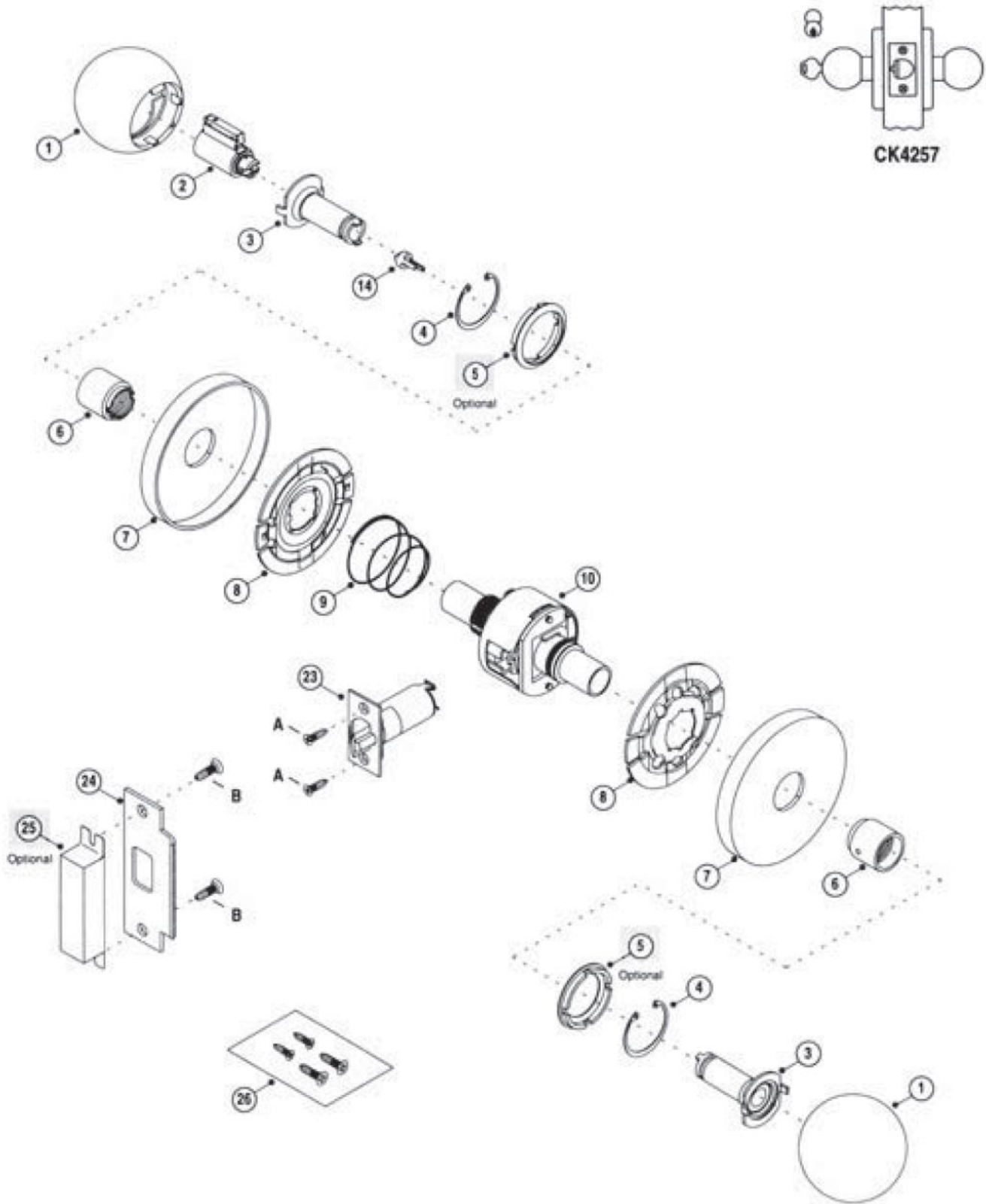


ITEM	PART NO.	SPECIFY	DESCRIPTION
1	(see chart below)		Knob; cylinder outside by plain inside
2	2000-052		Cylinder (see page 39 for options)
3	019F30-8*		Knob Shank
4	219F80-8*		Shank Retainer
5	493F99-9		Knob Filler, black Delrin M01 option
6	399F51 399F53 399F50 399F52	fin	Thimble inside, 1 ³ / ₄ " - 2" door inside, 2 ¹ / ₈ " - 2 ¹ / ₂ " door outside, 1 ³ / ₄ " - 2" door outside, 2 ¹ / ₈ " - 2 ¹ / ₂ " door
7	398F71 398F72 406F22	fin	Rose C Design (2 ⁷ / ₈ " dia.) D Design (3 ¹ / ₂ " dia.) E Design (3" sq.)
8	398F70-8* 398F69-8* 404F67-8*		Rose Liner inside outside, 1 ³ / ₄ " - 2" outside, 2 ¹ / ₈ " - 2 ¹ / ₂ "

ITEM	PART NO.	SPECIFY	DESCRIPTION
9	418F08-8*		Spring
10	399F61-8*		Chassis Ass'y (see page 35 for component parts)
14	144F29-8*		Plug Driver
23	486F89-M*	fin	Latch Assembly; 2 ³ / ₄ " backset (see page 38 for options)
24	217L13LEN	fin	ANSI Strike (see page 39 for options)
25	120F76-8		ANSI Wrought Strike Box M17 option
26	604F22	fin	Screw Packet for mounting latch assembly & ANSI strike, containing: A 2 - #8 x 1 ¹ / ₁₆ " Phillips Head Combination Screws B 2 - #12 x 1 ⁵ / ₁₆ " Phillips Head Combination Screws (see page 39 for options)

Knobs (Specify Finish)	Standard				M26 Option Non-Ferrous			
	Regular		Knurled		Regular		Knurled	
	Global	Belmont	Global	Belmont	Global	Belmont	Global	Belmont
Cylinder or Button	383F65	406F32	575F57	575F63	383F68	406F35	575F60	575F68
6-Pin IC	482F75	438F79	577F54	577F59	—	—	—	—
Plain	383F66	406F33	575F58	575F64	383F69	406F36	575F61	575F67

*For M26 Option, change "-8" or "-M" to "-7".

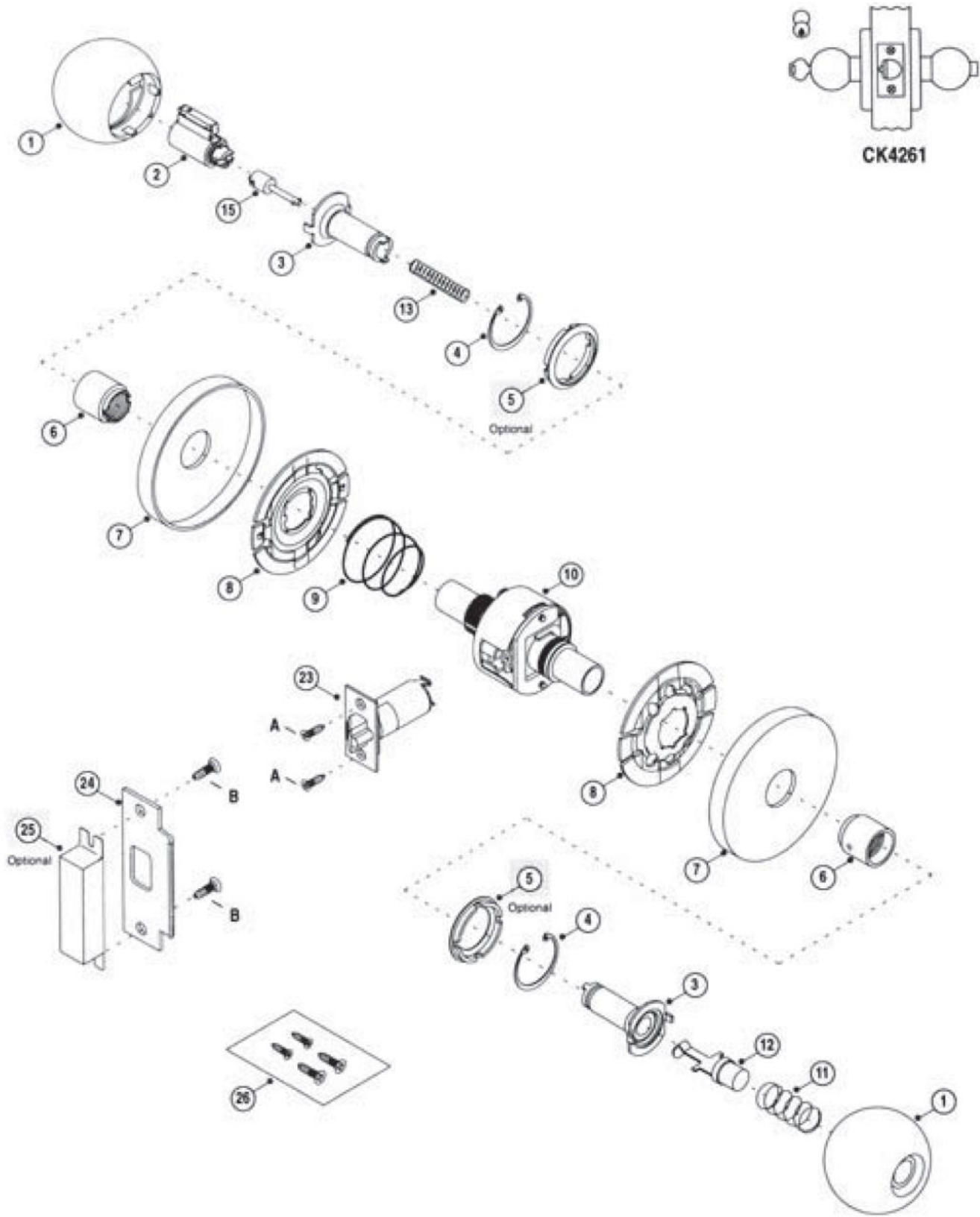


ITEM	PART NO.	SPECIFY	DESCRIPTION
1	(see chart below)		Knob; cylinder outside by push button inside
2	2000-052		Cylinder (see page 39 for options)
3	019F30-8* 019F31-8*		Knob Shank inside outside
4	219F80-8*		Shank Retainer
5	493F99-9		Knob Filler, black Delrin M01 option
6	399F51 399F53 399F50 399F52	fin	Thimble inside, 1 ³ / ₄ " - 2" door inside, 2 ¹ / ₈ " - 2 ¹ / ₂ " door outside, 1 ³ / ₄ " - 2" door outside, 2 ¹ / ₈ " - 2 ¹ / ₂ " door
7	398F71 398F72 406F22	fin	Rose C Design (2 ⁷ / ₈ " dia.) D Design (3 ¹ / ₂ " dia.) E Design (3" sq.)
8	398F70-8* 398F69-8* 404F67-8*		Rose Liner inside outside, 1 ³ / ₄ " - 2" outside, 2 ¹ / ₈ " - 2 ¹ / ₂ "

ITEM	PART NO.	SPECIFY	DESCRIPTION
9	418F08-8*		Spring
10	398F65-8*		Chassis Ass'y (see page 30 for component parts)
11	022F72-3		Spring, Push Button
12	022F80	fin	Push Button Assembly
13	312F23-3		Spring, Spindle
15	312F34-8*		Plug Driver Assembly
23	486F89-M*	fin	Latch Assembly; 2 ³ / ₄ " backset (see page 38 for options)
24	217L13LEN	fin	ANSI Strike (see page 39 for options)
25	120F76-8		ANSI Wrought Strike Box M17 option
26	604F22	fin	Screw Packet for mounting latch assembly & ANSI strike, containing: A 2 - #8 x 1 ¹ / ₁₆ " Phillips Head Combination Screws B 2 - #12 x 1 ⁵ / ₁₆ " Phillips Head Combination Screws (see page 39 for options)

Knobs (Specify Finish)	Standard				M26 Option Non-Ferrous			
	Regular		Knurled		Regular		Knurled	
	Global	Belmont	Global	Belmont	Global	Belmont	Global	Belmont
Cylinder or Button	383F65	406F32	575F57	575F63	383F68	406F35	575F60	575F66
6-Pin IC	482F75	438F79	577F54	577F59	—	—	—	—

*For M26 Option, change "-8" or "-M" to "-7".

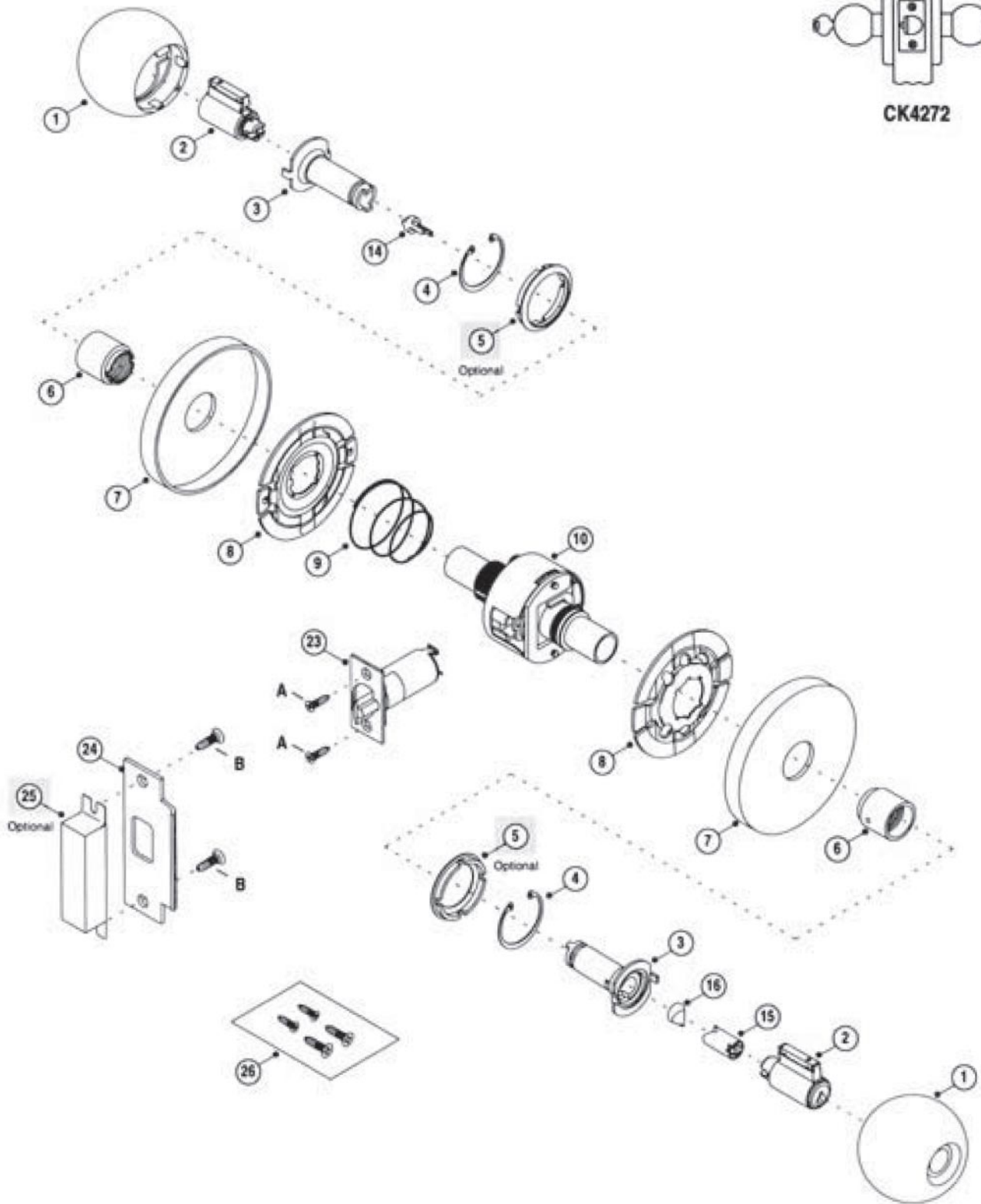
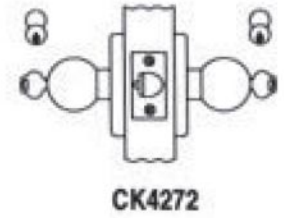


ITEM	PART NO.	SPECIFY	DESCRIPTION
1	(see chart below)		Knob; cylinder both sides
2	2000-052		Cylinder (see page 39 for options)
3	019F30-8* 024F92-8*		Knob Shank inside outside
4	219F80-8*		Shank Retainer
5	493F99-9		Knob Filler, black Delrin M01 option
6	399F51 399F53 399F50 399F52	fin	Thimble inside, 1 ³ / ₄ " - 2" door inside, 2 ¹ / ₈ " - 2 ¹ / ₂ " door outside, 1 ³ / ₄ " - 2" door outside, 2 ¹ / ₈ " - 2 ¹ / ₂ " door
7	398F71 398F72 406F22	fin	Rose C Design (2 ⁷ / ₈ " dia.) D Design (3 ¹ / ₂ " dia.) E Design (3" sq.)
8	398F70-8* 398F69-8* 404F67-8*		Rose Liner inside outside, 1 ³ / ₄ " - 2" outside, 2 ¹ / ₈ " - 2 ¹ / ₂ "

ITEM	PART NO.	SPECIFY	DESCRIPTION
9	418F08-8*		Spring
10	398F87-8*		Chassis Ass'y (see page 33 for component parts)
14	144F29-8*		Plug Driver
15	168F81-8*		Plug Driver Assembly
16	205F61-8*		Plug Driver Assembly Follower
23	486F89-M*	fin	Latch Assembly, 2 ³ / ₄ " backset (see page 38 for options)
24	217L13LEN	fin	ANSI Strike (see page 39 for options)
25	120F76-8		ANSI Wrought Strike Box M17 option
26	604F22	fin	Screw Packet for mounting latch assembly & ANSI strike, containing: A 2 - #8 x 1 ¹ / ₁₆ " Phillips Head Combination Screws B 2 - #12 x 1 ⁵ / ₁₆ " Phillips Head Combination Screws (see page 39 for options)

Knobs (Specify Finish)	Standard				M26 Option Non-Ferrous			
	Regular		Knurled		Regular		Knurled	
	Global	Belmont	Global	Belmont	Global	Belmont	Global	Belmont
Cylinder or Button 6-Pin IC	383F65	406F32	575F57	575F63	383F68	406F35	575F60	575F66
	482F75	438F79	577F54	577F59	—	—	—	—

*For M26 Option, change "-8" or "-M" to "-7".

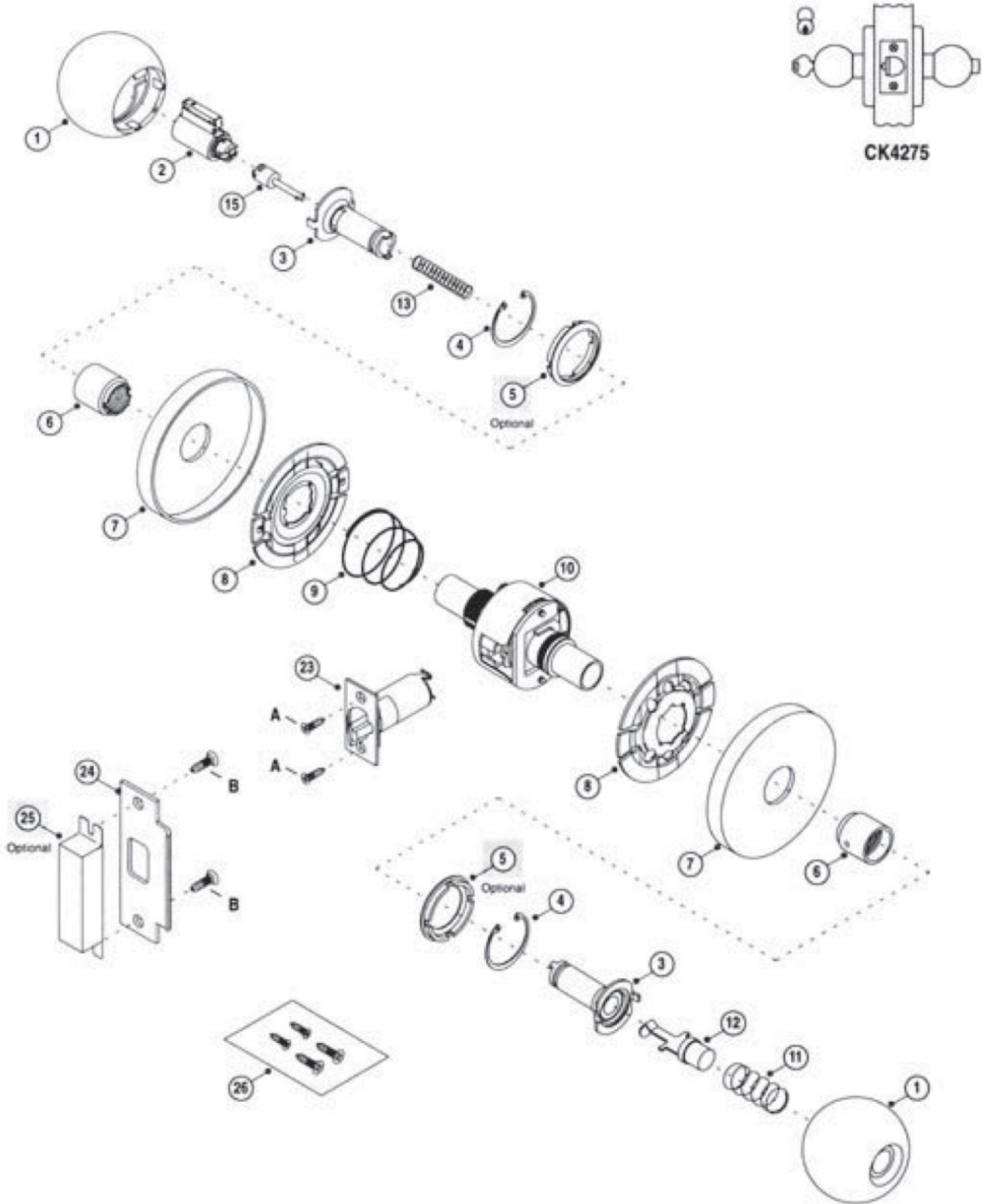


ITEM	PART NO.	SPECIFY	DESCRIPTION
1	(see chart below)		Knob; cylinder/button both sides
2	2000-052		Cylinder (see page 39 for options)
3	019F30-8* 019F31-8*		Knob Shank inside outside
4	219F80-8*		Shank Retainer
5	493F99-9		Knob Filler, black Delrin M01 option
6	399F51 399F53 399F50 399F52	fin	Thimble inside, 1 ³ / ₄ " - 2" door inside, 2 ¹ / ₈ " - 2 ¹ / ₂ " door outside, 1 ³ / ₄ " - 2" door outside, 2 ¹ / ₈ " - 2 ¹ / ₂ " door
7	398F71 398F72 406F22	fin	Rose C Design (2 ⁷ / ₈ " dia.) D Design (3 ¹ / ₂ " dia.) E Design (3" sq.)
8	398F70-8* 389F69-8* 404F67-8*		Rose Liner inside outside, 1 ³ / ₄ " - 2" outside, 2 ¹ / ₈ " - 2 ¹ / ₂ "

ITEM	PART NO.	SPECIFY	DESCRIPTION
9	418F08-8*		Spring
10	398F64-8*		Chassis Ass'y (see page 30 for component parts)
11	022F72-3		Spring, Push Button
12	022F80	fin	Push Button Assembly
13	312F23-3		Spring, Spindle
15	312F34-8*		Plug Driver Assembly
23	486F89-M*	fin	Latch Assembly; 2 ³ / ₄ " backset (see page 38 for options)
24	217L13LEN	fin	ANSI Strike (see page 39 for options)
25	120F76-8		ANSI Wrought Strike Box M17 option
26	604F22	fin	Screw Packet for mounting latch assembly & ANSI strike, containing: A 2 - #8 x ¹¹ / ₁₆ " Phillips Head Combination Screws B 2 - #12 x ¹⁵ / ₁₆ " Phillips Head Combination Screws (see page 39 for options)

Knobs (Specify Finish)	Standard				M26 Option Non-Ferrous			
	Regular		Knurled		Regular		Knurled	
	Global	Belmont	Global	Belmont	Global	Belmont	Global	Belmont
Cylinder or Button 6-Pin IC	383F65	406F32	575F57	575F63	383F68	406F35	575F60	575F66
	482F75	438F79	577F54	577F59	—	—	—	—

*For M26 Option, change "-8" or "-M" to "-7".

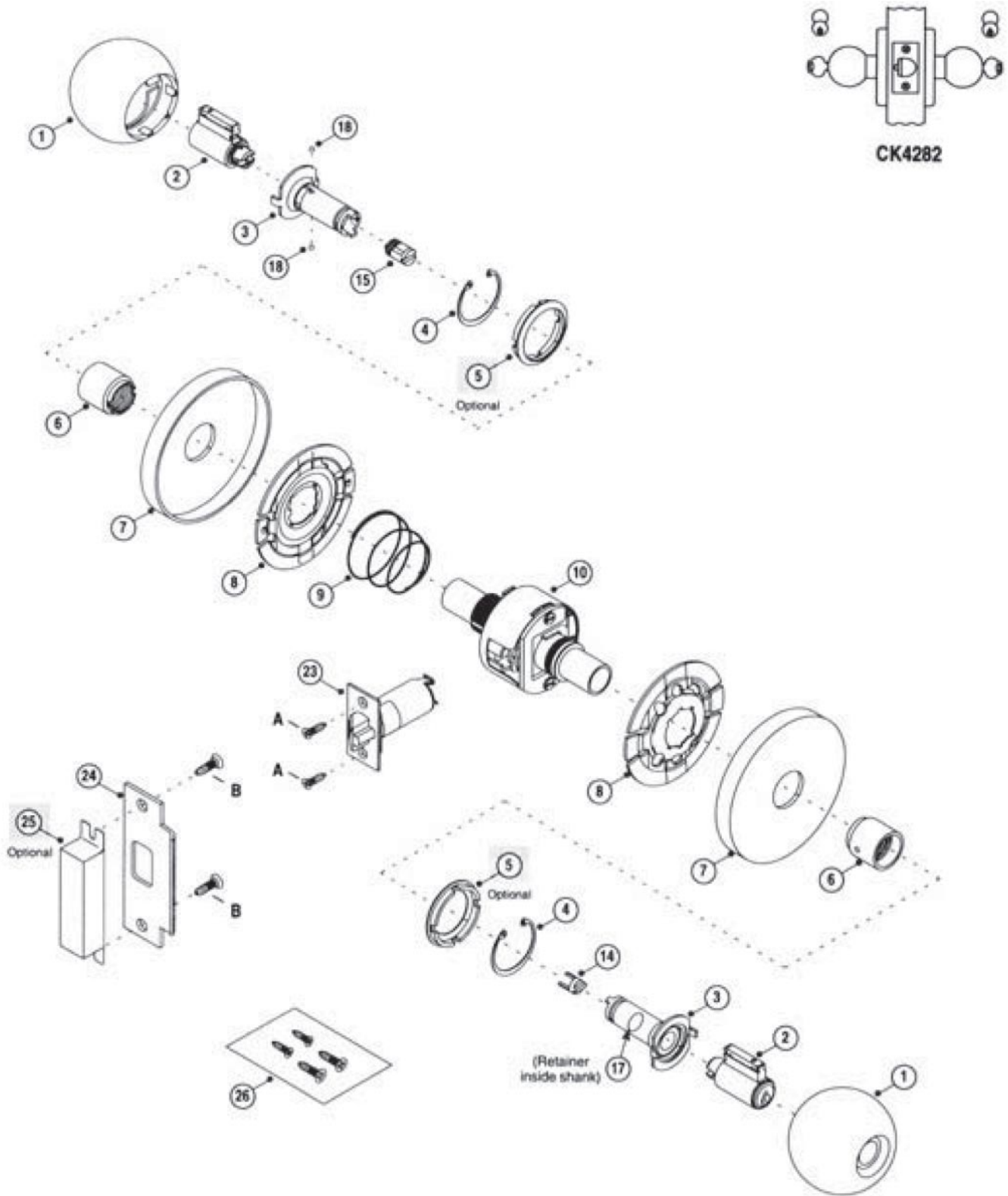


ITEM	PART NO.	SPECIFY	DESCRIPTION
①	(see chart below)		Knob; cylinder both sides
②	2000-052		Cylinder (see page 39 for options)
③	168F71-8* 270F24-8*		Knob Shank inside outside
④	219F80-8*		Shank Retainer
⑤	493F99-9		Knob Filler, black Delrin M01 option
⑥	399F51 399F53 399F50 399F52	fin	Thimble inside, 1 ³ / ₄ " - 2" door inside, 2 ¹ / ₈ " - 2 ¹ / ₂ " door outside, 1 ³ / ₄ " - 2" door outside, 2 ¹ / ₈ " - 2 ¹ / ₂ " door
⑦	398F71 398F72 406F22	fin	Rose C Design (2 ⁷ / ₈ " dia.) D Design (3 ¹ / ₂ " dia.) E Design (3" sq.)
⑧	398F70-8* 404F64-8* 408F68-8*		Rose Liner inside outside, 1 ³ / ₄ " - 2" outside, 2 ¹ / ₈ " - 2 ¹ / ₂ "

ITEM	PART NO.	SPECIFY	DESCRIPTION
⑨	418F08-8*		Spring
⑩	400F17-8*		Chassis Ass'y (see page 36 for component parts)
⑭	144F29-8*		Plug Driver
⑮	168F92-8*		Plug Driver Assembly
⑰	168F58-3		Retainer in knob shank
⑱	227F85-8		Locking Ball
⑳	486F89-M*	fin	Latch Assembly; 2 ³ / ₄ " backset (see page 38 for options)
㉔	217L13LEN	fin	ANSI Strike (see page 39 for options)
㉕	120F76-8		ANSI Wrought Strike Box M17 option
㉖	604F22	fin	Screw Packet for mounting latch assembly & ANSI strike, containing: A 2 - #8 x 1 ¹ / ₁₆ " Phillips Head Combination Screws B 2 - #12 x 1 ⁵ / ₁₆ " Phillips Head Combination Screws (see page 39 for options)

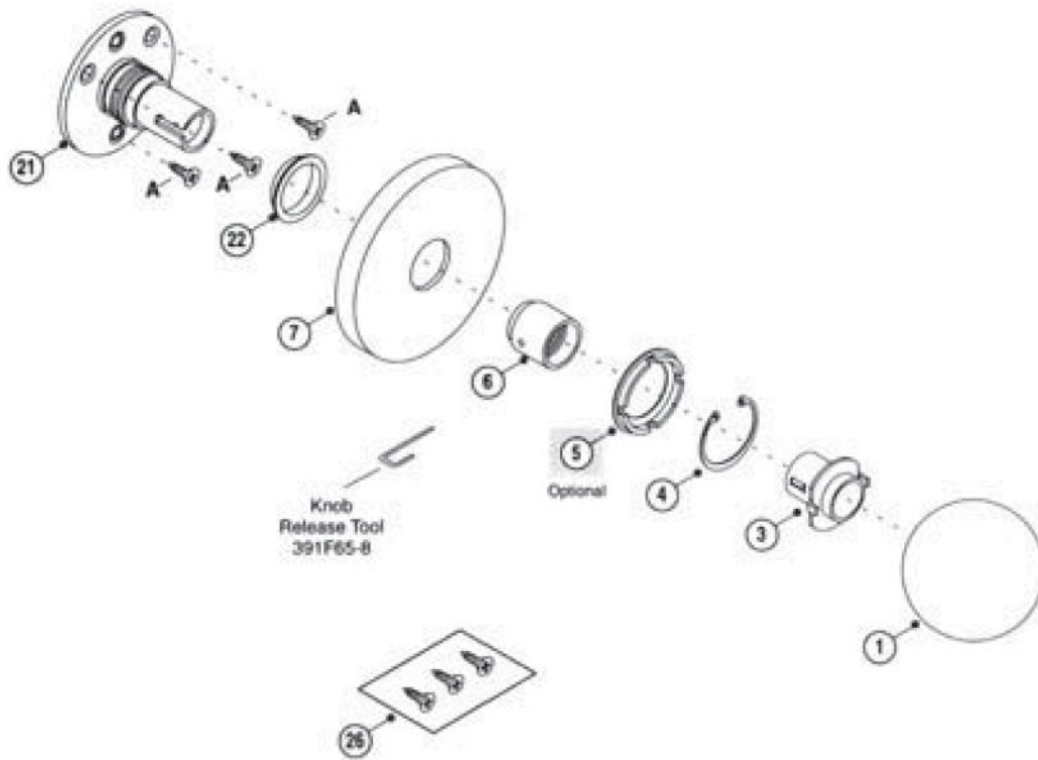
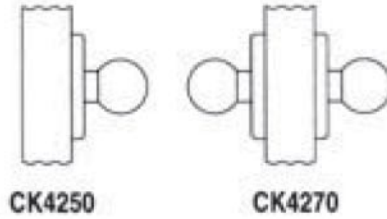
Knobs (Specify Finish)	Standard				M26 Option Non-Ferrous			
	Regular		Knurled		Regular		Knurled	
	Global	Belmont	Global	Belmont	Global	Belmont	Global	Belmont
Cylinder or Button 6-Pin IC	383F65	406F32	575F57	575F63	383F68	406F35	575F60	575F66
	482F75	438F79	577F54	577F59	—	—	—	—

*For M26 Option, change *-8" or *-M" to *-7".



ITEM	PART NO.	SPECIFY	DESCRIPTION
1	(see chart)		Knob; plain
3	413F72-8		Knob Shank
4	219F80-8		Shank Retainer
5	493F99-9		Knob Filler, black Delrin M01 option
6	406F88	fin	Thimble
7	398F71 398F72 406F22	fin	Rose C Design (2 ⁷ / ₈ " dia.) D Design (3 ¹ / ₂ " dia.) E Design (3" sq.)
21	400F07-8		Adapter Plate
22	413F60-8		Reinforcement (E Design only)
26	556F55-8	fin	Screw Packet for mounting containing: Qty. 3 - #8-32 x 1 ¹ / ₁₆ " Phillips Head Combination Screws

Knobs (Specify Finish)	Regular		Knurled	
	Global	Belmont	Global	Belmont
Plain	383F66	406F33	575F58	575F64

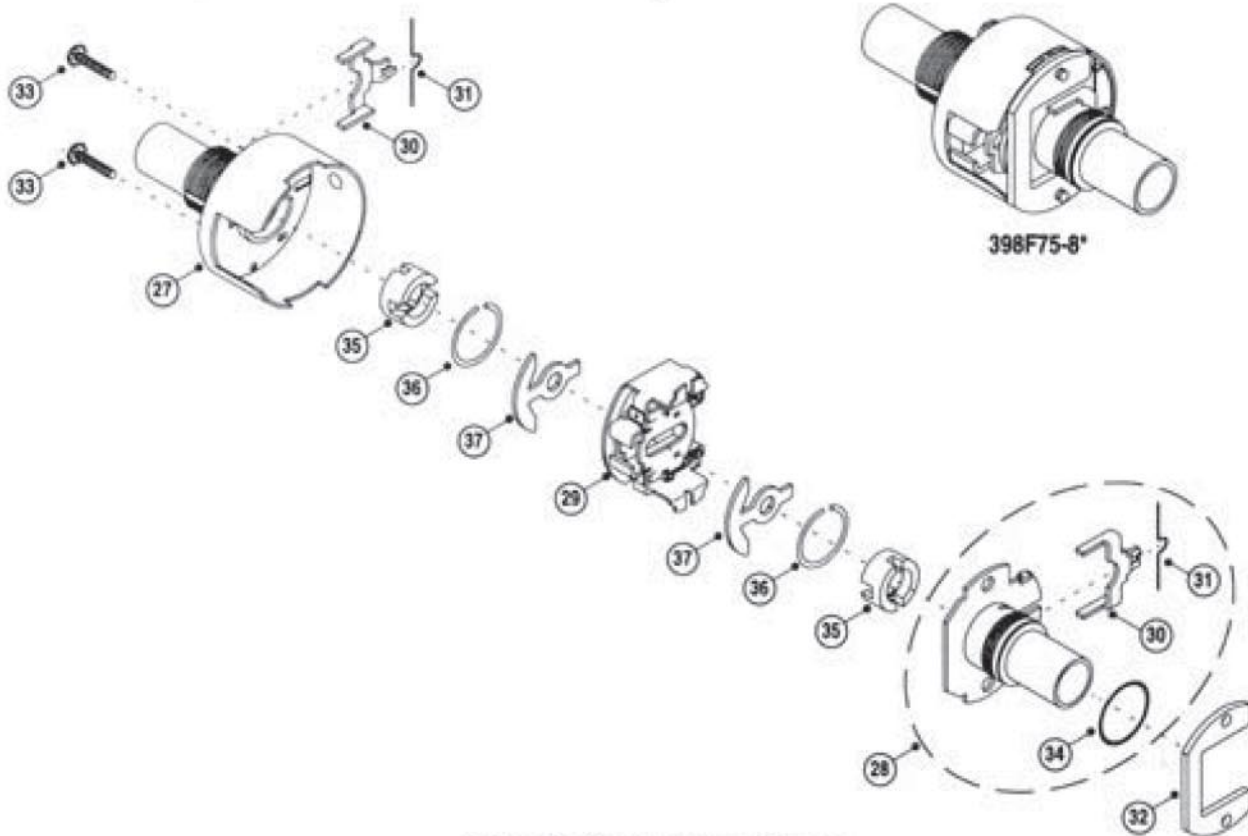


Function No.	Chassis No.	Page	Function No.	Chassis No.	Page
CK4210	398F75-8*	29	CK4255	398F88-8*	34
CK4220	398F64-8*	30	CK4257	399F61-8*	35
CK4229	398F66-8*	31	CK4261	398F65-8*	30
CK4230	398F64-8*	30	CK4272	398F87-8*	33
CK4232	401F00-8*	32	CK4275	398F64-8*	30
CK4251	398F87-8*	33	CK4282	400F17-8*	36

Chassis Assembly – CK4210

ITEM	PART NO.	DESCRIPTION
27	398F58-8*	Chassis Case
28	019F32-8*	Chassis Cap Assembly (includes items 30, 31 and 34)
29	142F92-8*	Frame & Retractor Assembly
30	018F91-8*	Retainer, Knob
31	018F92-3	Spring, Knob Retainer
32	398F85-8*	Yoke

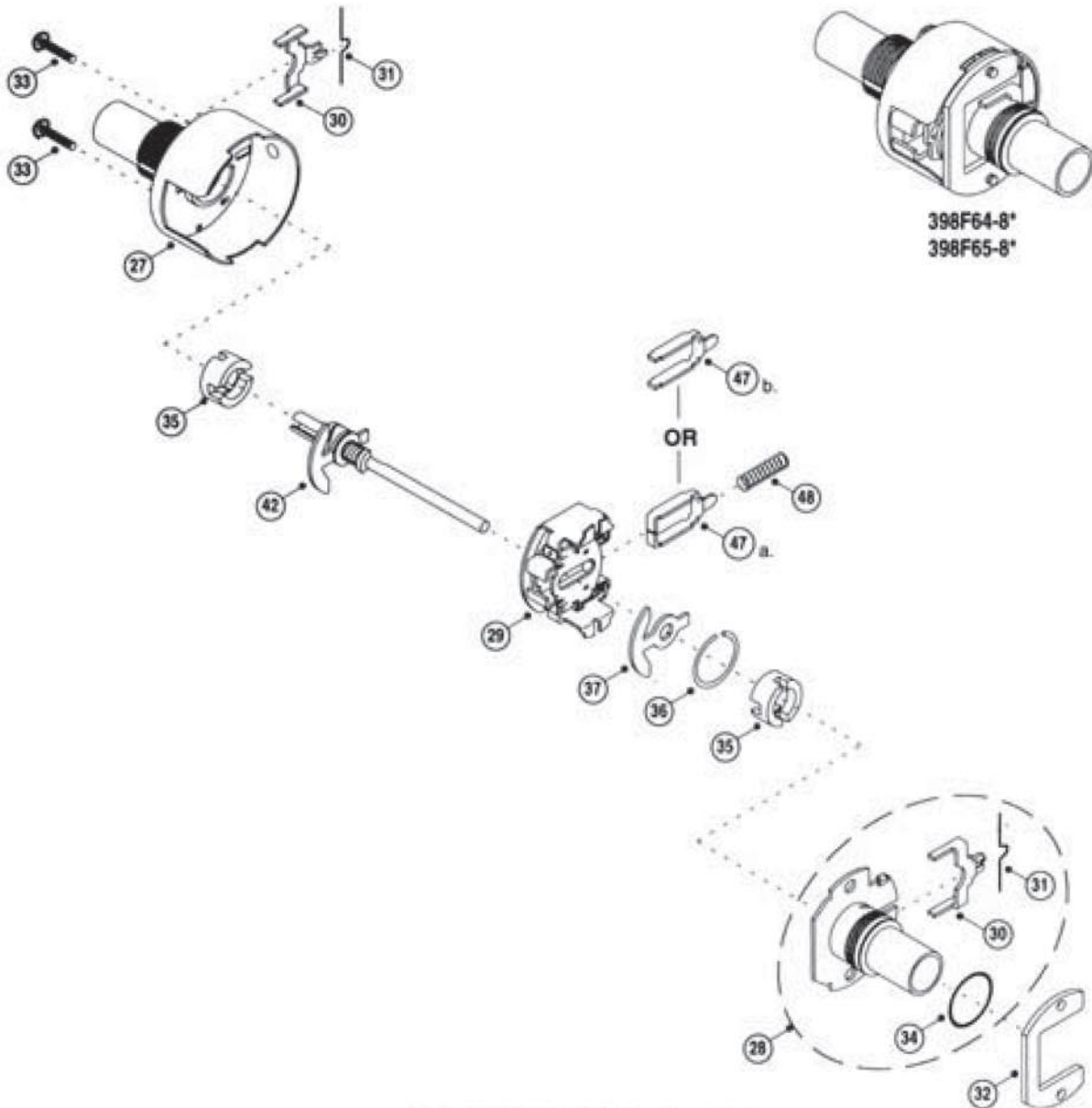
ITEM	PART NO.	DESCRIPTION
33	224F00-8*	Screw, Sems Assembly #8-32 x 1 1/4"
34	216F38-9	O-Ring
35	019F14-8*	Coupling
36	067F00-3	Retainer, Coupling
37	024F86-8*	Hub



*For M26 Option, change *-8" to *-7".

ITEM	PART NO.	DESCRIPTION
27	398F57-8*	Chassis Case
28	019F32-8*	Chassis Cap Assembly (includes items 30, 31 and 34)
29	142F92-8*	Frame & Retractor Assembly
30	018F91-8*	Retainer, Knob
31	018F92-3	Spring, Knob Retainer
32	398F85-8*	Yoke
33	224F00-8*	Screw, Sems Assembly #8-32 x 1 1/4"
34	216F38-9	O-Ring

ITEM	PART NO.	DESCRIPTION
35	019F14-8*	Coupling
36	067F00-3	Retainer, Coupling
37	025F29-8*	Hub
42	387F93-8*	Spindle & Hub Assembly
47 _a	312F25-8*	Retractor Insert, CK4220, CK4230, CK4275
47 _b	312F26-8*	Retractor Insert, CK4261
48	312F24-7	Spring, Retractor Insert

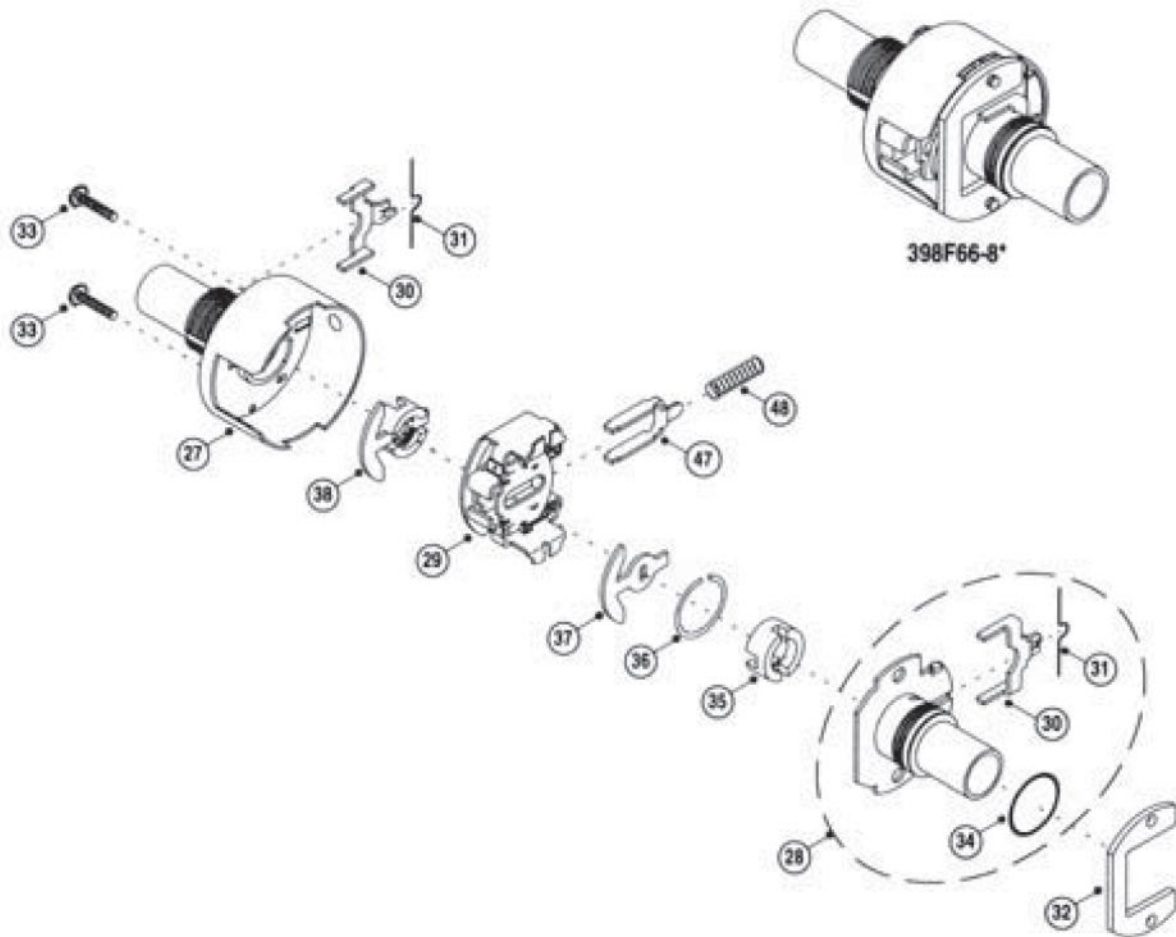


398F64-8*
398F65-8*

*For M26 Option, change *-8" to *-7".

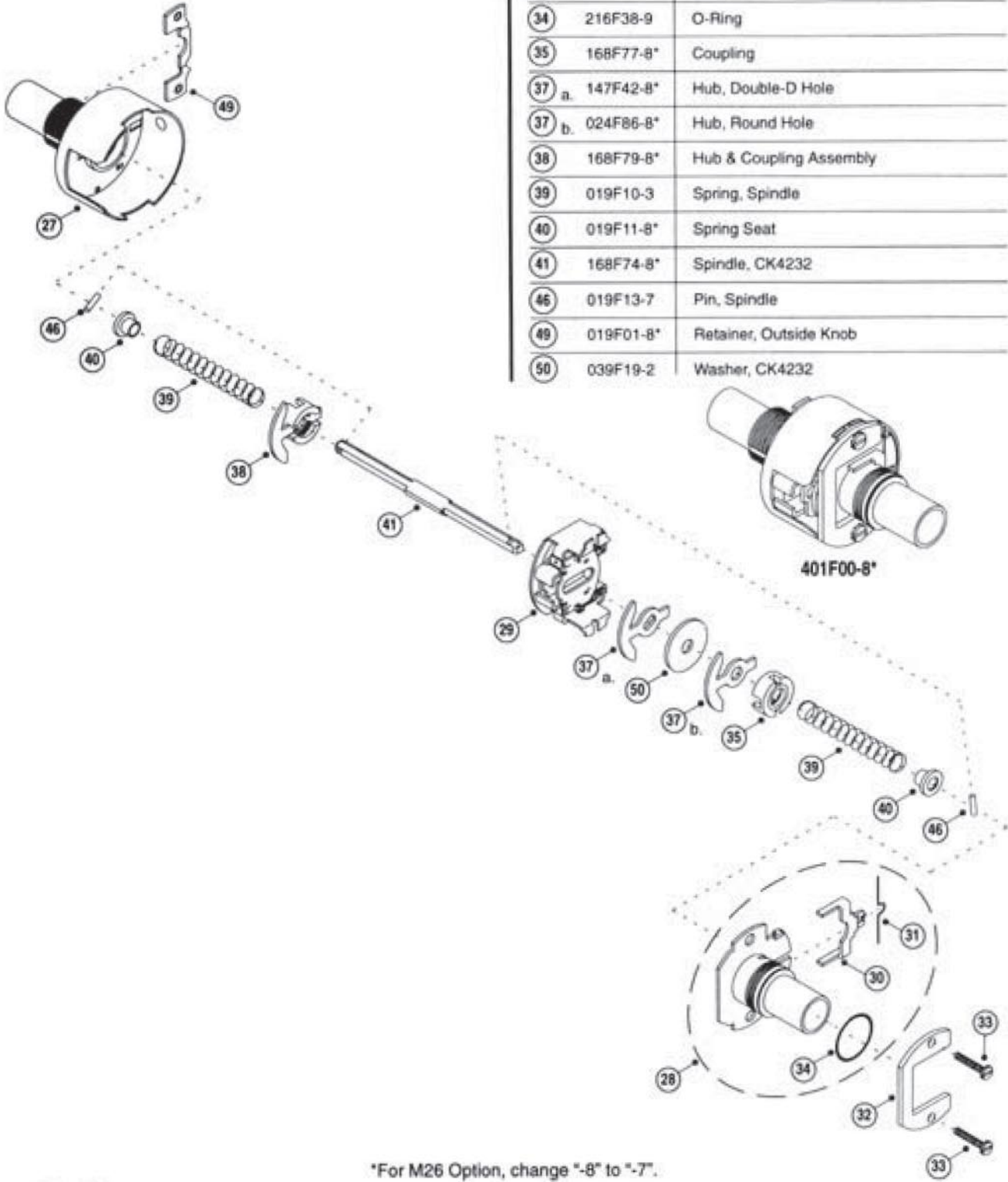
ITEM	PART NO.	DESCRIPTION
27	398F57-8*	Chassis Case
28	019F32-8*	Chassis Cap Assembly (includes items 30, 31 and 34)
29	142F92-8*	Frame & Retractor Assembly
30	018F91-8*	Retainer, Knob
31	018F92-3	Spring, Knob Retainer
32	398F85-8*	Yoke
33	224F00-8*	Screw, Sems Assembly #8-32 x 1 1/4"

ITEM	PART NO.	DESCRIPTION
34	216F38-9	O-Ring
35	019F14-8*	Coupling
36	067F00-3	Retainer, Coupling
37	040F70-8*	Hub
38	405F09-8*	Hub & Coupling Assembly
47	312F25-8*	Retractor Insert
48	312F24-7	Spring, Retractor Insert



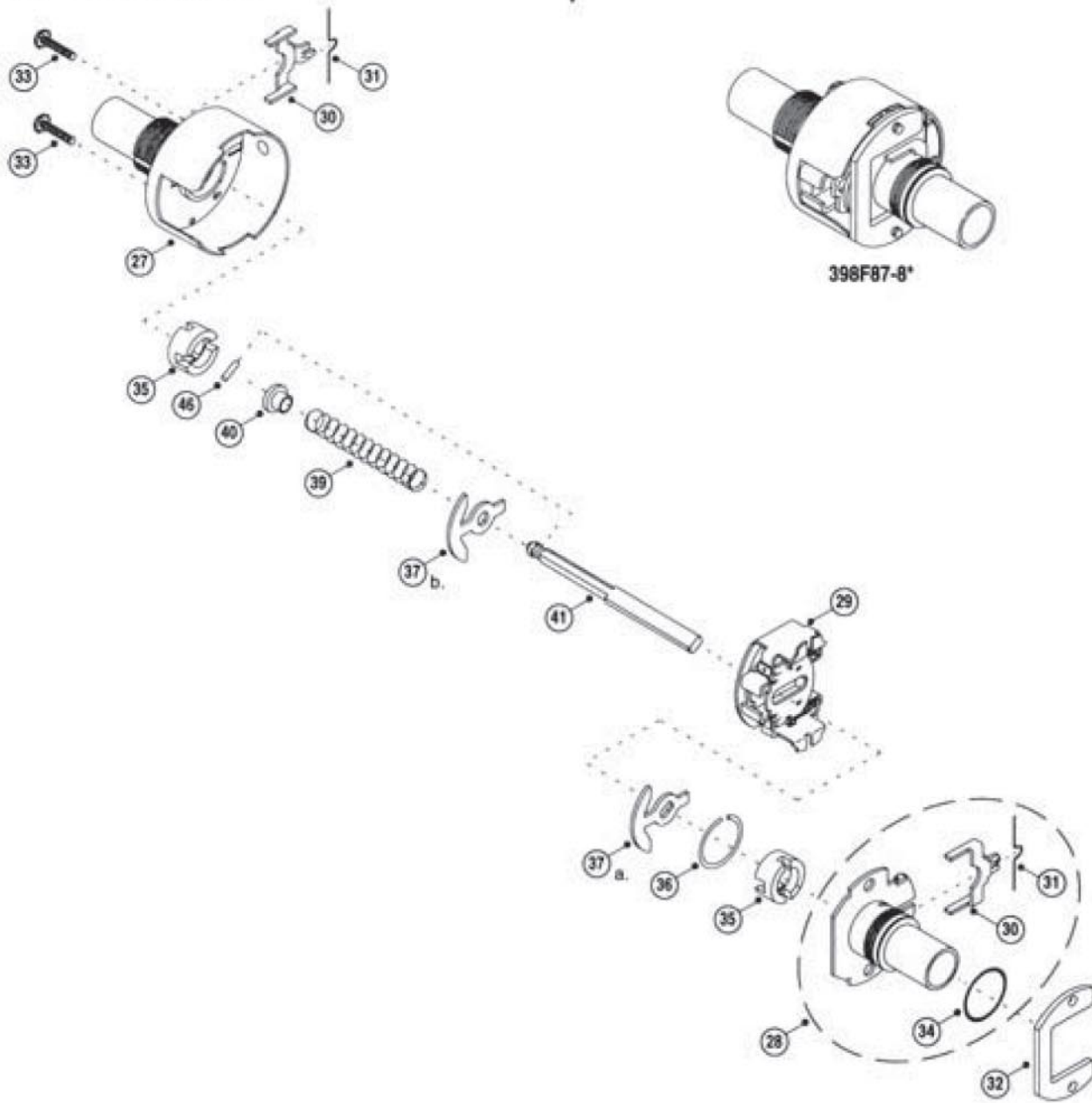
ITEM	PART NO.	DESCRIPTION
27	398F57-8*	Chassis Case
28	024F93-8*	Chassis Cap Assembly (includes items 30, 31 and 34)
29	142F92-8*	Frame & Retractor Assembly

ITEM	PART NO.	DESCRIPTION
30	018F91-8*	Retainer, Knob
31	018F92-3	Spring, Knob Retainer
32	436F78-8*	Yoke
33	224F00-8*	Screw, Sems Assembly #8-32 x 1 1/4"
34	216F38-9	O-Ring
35	168F77-8*	Coupling
37 a.	147F42-8*	Hub, Double-D Hole
37 b.	024F86-8*	Hub, Round Hole
38	168F79-8*	Hub & Coupling Assembly
39	019F10-3	Spring, Spindle
40	019F11-8*	Spring Seat
41	168F74-8*	Spindle, CK4232
46	019F13-7	Pin, Spindle
49	019F01-8*	Retainer, Outside Knob
50	039F19-2	Washer, CK4232



ITEM	PART NO.	DESCRIPTION
27	398F57-8*	Chassis Case
28	019F32-8*	Chassis Cap Assembly (includes items 30, 31 and 34)
29	142F92-8*	Frame & Retractor Assembly
30	018F91-8*	Retainer, Knob
31	018F92-3	Spring, Knob Retainer
32	398F85-8*	Yoke
33	224F00-8*	Screw, Sems Assembly #8-32 x 1 1/4"
34	216F38-9	O-Ring

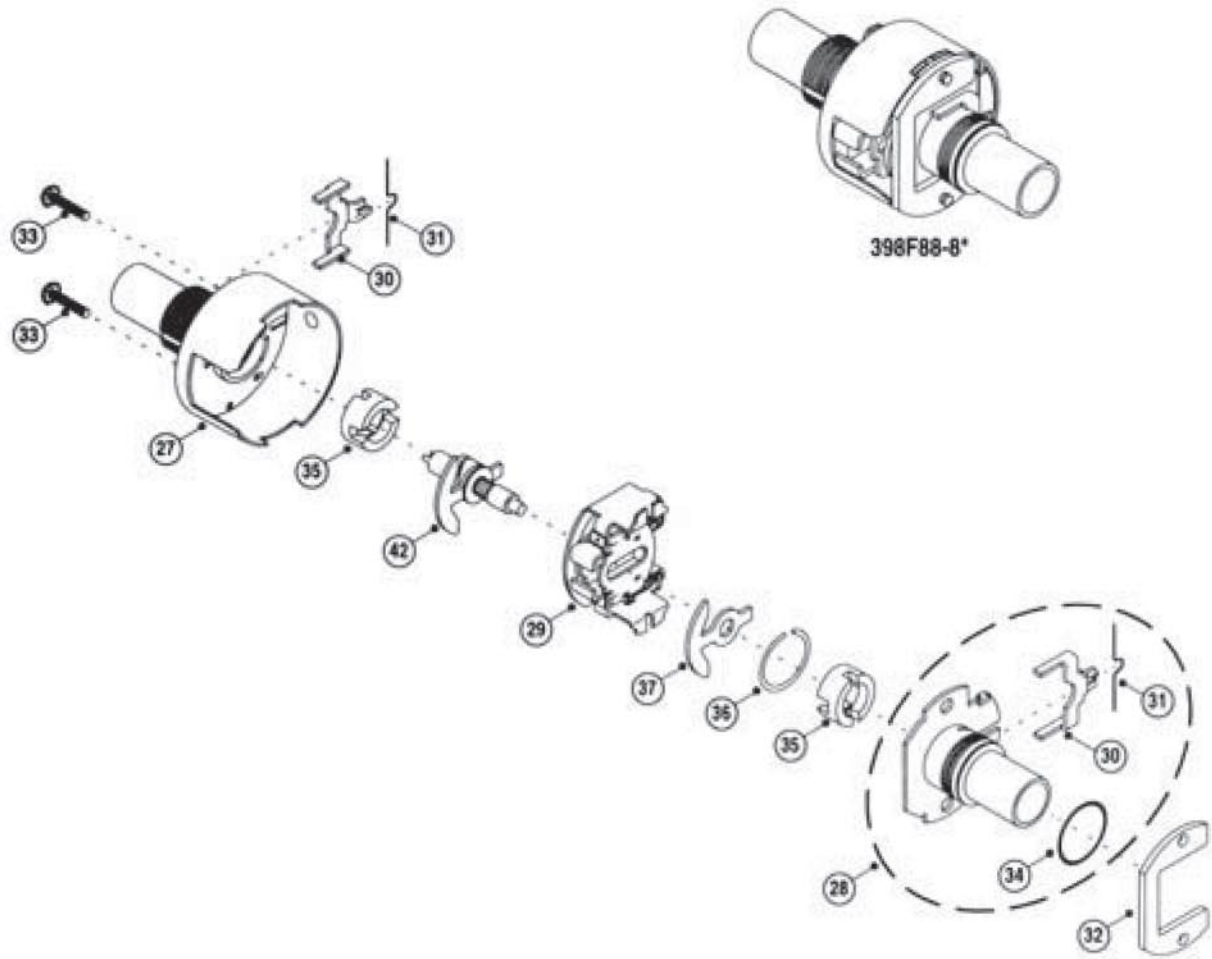
ITEM	PART NO.	DESCRIPTION
35	019F14-8*	Coupling
36	067F00-3	Retainer, Coupling
37 a.	147F42-8*	Hub, Double-D Hole
37 b.	024F86-8*	Hub, Round Hole
39	019F10-3	Spring, Spindle
40	019F11-8*	Spring Seat
41	168F75-8*	Spindle
46	019F13-7	Pin, Spindle



*For M26 Option, change *-8" to *-7".

ITEM	PART NO.	DESCRIPTION
27	398F57-8*	Chassis Case
28	019F32-8*	Chassis Cap Assembly (includes Items 30, 31 and 34)
29	142F92-8*	Frame & Retractor Assembly
30	018F91-8*	Retainer, Knob
31	018F92-3	Spring, Knob Retainer
32	398F85-8*	Yoke

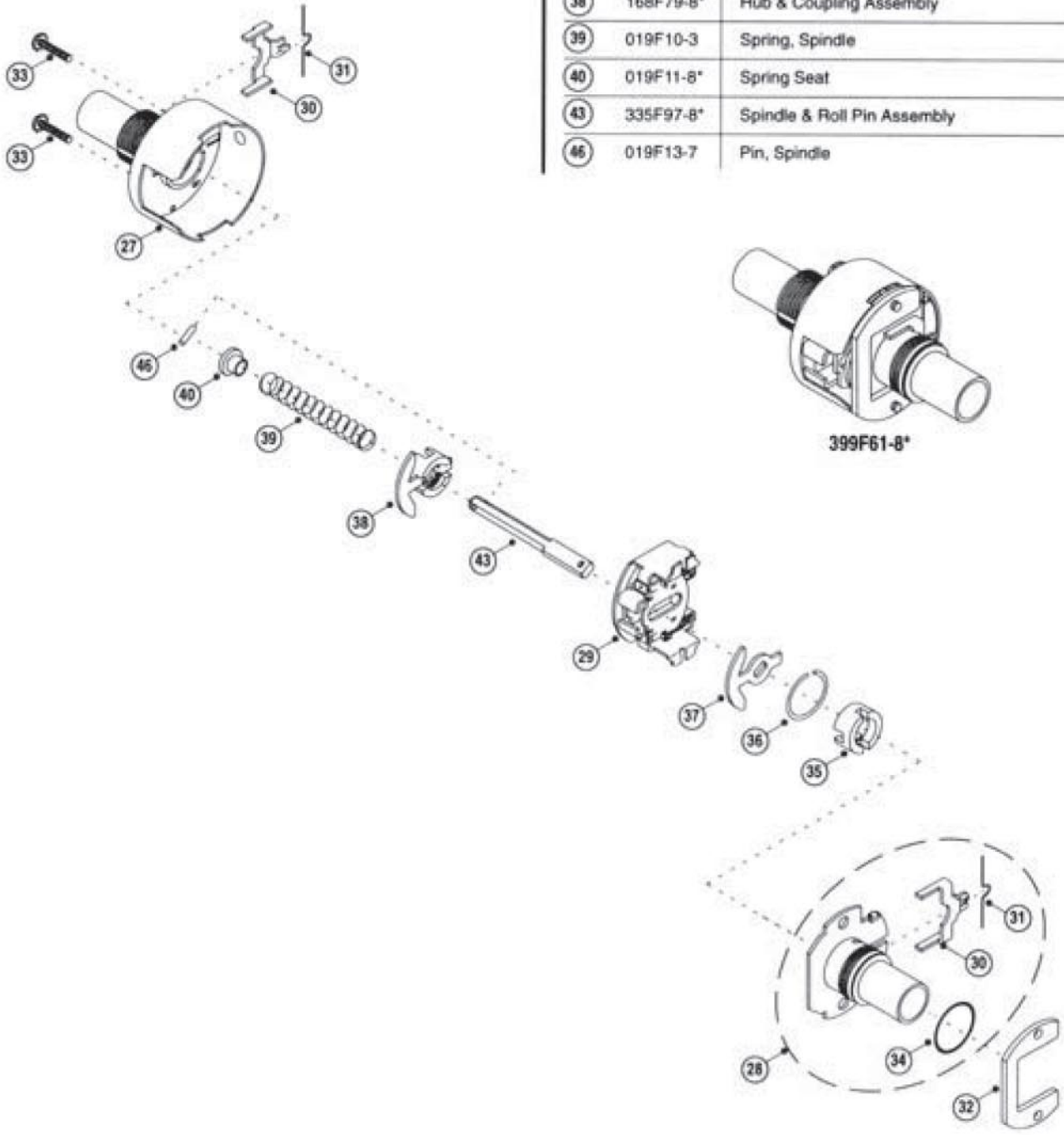
ITEM	PART NO.	DESCRIPTION
33	224F00-8*	Screw, Sems Assembly #8-32 x 1 1/4"
34	216F38-9	O-Ring
35	019F14-8*	Coupling
36	067F00-3	Retainer, Coupling
37	025F29-8*	Hub
42	387F95-8*	Spindle & Hub Assembly



*For M26 Option, change "-8" to "-7".

ITEM	PART NO.	DESCRIPTION
27	398F57-8*	Chassis Case
28	019F32-8*	Chassis Cap Assembly (includes items 30, 31 and 34)
29	142F92-8*	Frame & Retractor Assembly
30	018F91-8*	Retainer, Knob
31	018F92-3	Spring, Knob Retainer

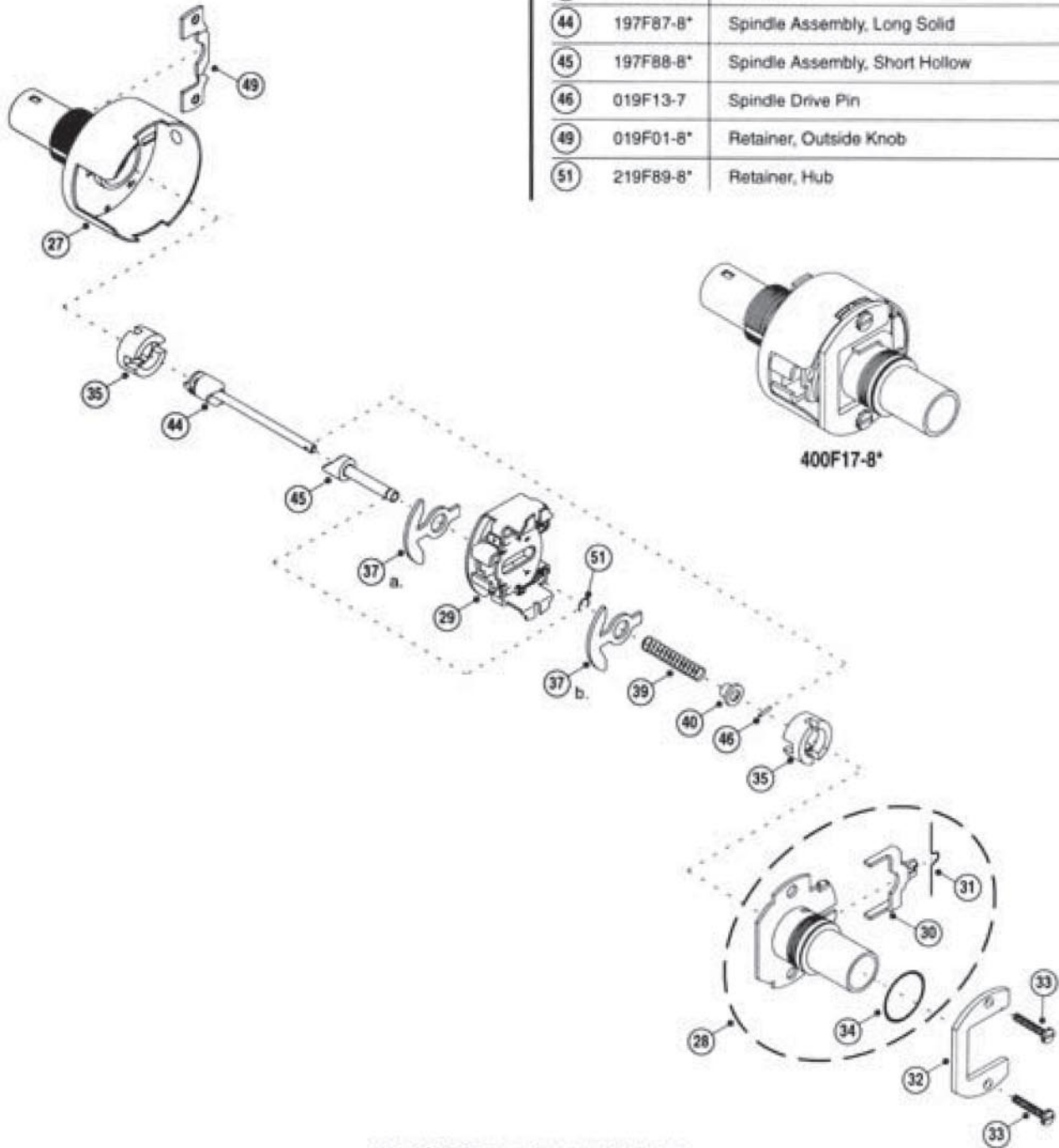
ITEM	PART NO.	DESCRIPTION
32	398F85-8*	Yoke
33	224F00-8*	Screw, Sems Assembly #8-32 x 1 1/4"
34	216F38-9	O-Ring
35	019F14-8*	Coupling
36	067F00-3	Retainer, Coupling
37	147F42-8*	Hub
38	168F79-8*	Hub & Coupling Assembly
39	019F10-3	Spring, Spindle
40	019F11-8*	Spring Seat
43	335F97-8*	Spindle & Roll Pin Assembly
46	019F13-7	Pin, Spindle



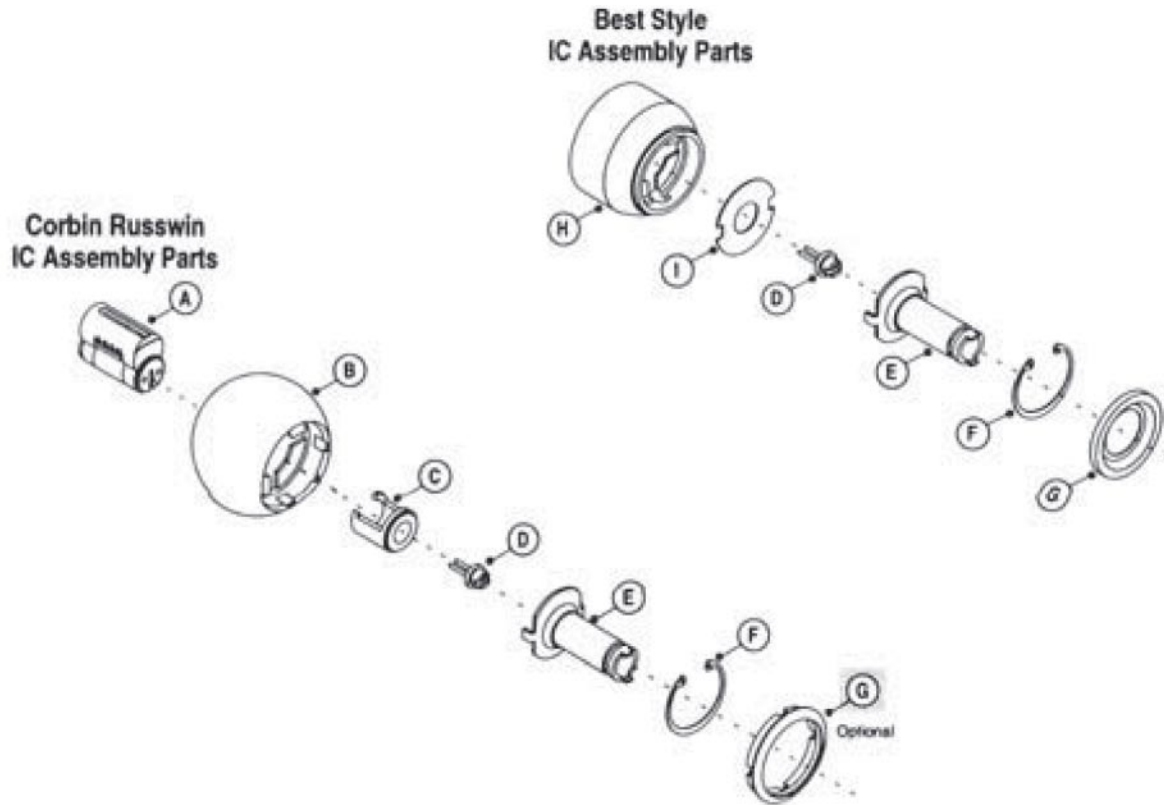
*For M26 Option, change *-8* to *-7*.

ITEM	PART NO.	DESCRIPTION
27	398F59-8*	Chassis Case
28	024F93-8*	Chassis Cap Assembly (includes items 30, 31 and 34)
29	142F92-8*	Frame & Retractor Assembly
30	018F91-8*	Retainer, Knob
31	018F92-3	Spring, Knob Retainer
32	436F78-8*	Yoke

ITEM	PART NO.	DESCRIPTION
33	224F00-8*	Screw, Sems Assembly #8-32 x 1 ¹ / ₄ "
34	216F38-9	O-Ring
35	019F14-8*	Coupling
37 a.	079F75-8*	Hub
37 b.	055F68-8*	Hub, Countersink (toward retainer)
39	019F10-3	Spring, Spindle
40	055F67-8*	Spring Seat
44	197F87-8*	Spindle Assembly, Long Solid
45	197F88-8*	Spindle Assembly, Short Hollow
46	019F13-7	Spindle Drive Pin
49	019F01-8*	Retainer, Outside Knob
51	219F89-8*	Retainer, Hub



*For M26 Option, change *-8" to *-7".



ITEM	PART NO.	SPECIFY	DESCRIPTION
A	8000	fin	6-Pin Core
	8010	fin	High Security Core
	8001-052	fin	6-Pin Hotel Core
	8011-052	fin	High Security Hotel Core
B	(see chart)	fin	Knob
C	342F05-2		IC Housing
D	342F03-2		Throw Member for Corbin Russwin core
	320F44-2		Best style core
E	(see pg. 29)		Knob Shank
F	219F80-8		Knob Shank Retainer
G	493F99-9		Knob Filler for Corbin Russwin, black Delrin (M01 option)
	378F84	fin	Best style Knob Filler
H	317F71-3	fin	Knob Only for 6 or 7-pin Best style core
	561F19-3	fin	Knob Assembly (M10 option) for 6 or 7-pin Best style core Includes items: E, H, I and J. (Formerly S-15950)
I	317F68-8		Knob Plate

KNOBS (specify finish)

	Regular		Knurled	
	Global	Belmont	Global	Belmont
6-Pin IC	482F75	438F79	577F54	577F59

Knob Shanks

Function	Outside	Inside
CK4210	019F30-8	019F30-8
CK4220	317F64-8	019F30-8
CK4229	405F10-8	072F44-8
CK4230	377F81-8	019F30-8
CK4232	019F30-8	168F71-8
CK4251	019F30-8	024F92-8
CK4255	019F31-8	019F30-8
CK4257	019F30-8	019F30-8
CK4261	019F31-8	019F30-8
CK4272	019F30-8	024F92-8
CK4275	019F31-8	019F30-8
CK4282	270F24-8	168F71-8



019F30-8



019F31-8



024F92-8



072F44-8



(Retainer inside shank)

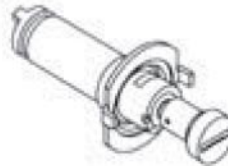
168F71-8



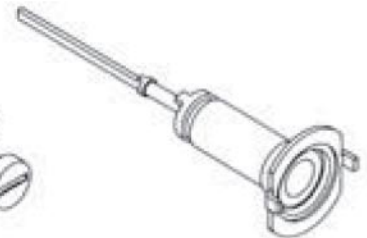
270F24-8



317F64-8



377F81-8



405F10-8



Optional Parts

Latches (Specify Finish)



BACKSET AND FRONT DESCRIPTION		PLAIN	DEADLOCKING
2 ³ / ₄ " Backset	Beveled, 2 ¹ / ₄ " x 1 ¹ / ₈ " Square Corner Front	486F83-8	486F89-8
	Flat, 2 ¹ / ₄ " x 1 ¹ / ₈ " Square Corner Front	486F84-8	486F90-8
3 ³ / ₄ " Backset	Beveled, 2 ¹ / ₄ " x 1 ¹ / ₈ " Square Corner Front	469F27-8	469F29-8
	Flat, 2 ¹ / ₄ " x 1 ¹ / ₈ " Square Corner Front	469F28-8	469F30-8
5" Backset	Beveled, 2 ¹ / ₄ " x 1 ¹ / ₈ " Square Corner Front	469F31-8	469F33-8
	Flat, 2 ¹ / ₄ " x 1 ¹ / ₈ " Square Corner Front	469F32-8	469F34-8
7" Backset	Beveled, 2 ¹ / ₄ " x 1 ¹ / ₈ " Square Corner Front	469F35-8	469F37-8
	Flat, 2 ¹ / ₄ " x 1 ¹ / ₈ " Square Corner Front	469F36-8	469F38-8

Strikes (Specify Finish)

		LIP LENGTH	ANSI CURVED LIP STRIKE*	CURVED LIP BOX STRIKE
 <p>ANSI Curved Lip Strike</p>  <p>Curved Lip Box Strike</p>		1"	217L13M016	586L19M016
		1 1/8"	217L13M018	586L19M018
		1 1/4"	217L13M020	586L19M020
		1 3/8"	217L13M022	586L19M022
		1 1/2"	217L13M024	586L19M024
		1 3/4"	217L13M028	586L19M028
		2"	217L13M032	586L19M032
		2 1/4"	217L13M036	586L19M036
		2 1/2"	217L13M040	586L19M040
		2 3/4"	217L13M044	586L19M044
		3"	217L13M048	586L19M048

*Note: For ANSI Wrought Strike Box order part number 120F76-8.



Rabbeted Strike
315F94



Front Plate For Rabbeted Strike
315F93

Rabbeted Strike Packet 601F28

Screw Packets (Specify Finish)

	PHILLIPS	SPANNER	TORX	HEX
For Latch and ANSI Strike	604F22-8	604F23-8	604F24-8	604F25-8
For Latch and Full Lip or Box Strike	604F26-8	604F27-8	604F28-8	604F29-8
For Rabbeted Strike	480F68	596F61	596F62	596F63

Cylinders (Specify Finish)

	 Standard	 Interchangeable Core	 Master Ring
Conventional 6-Pin	2000-052	8000	2060-052
High Security	2010-052	8010	N/A
Hotel Conventional	2001-052	8001-052	2061-052
Hotel High Security	2011-052	8011-052	N/A

(Parts cross reference does not include parts for product and cylinder options.)

ITEM	PART NO.	DESCRIPTION	CK4210	CK4220	CK4229	CK4230	CK4232	CK4250	CK4251	CK4255	CK4257	CK4261	CK4270	CK4272	CK4275	CK4282
①		Knob	SEE PARTS LIST													
②	2000-052	Cylinder					•		•	•	•	•		•	•	•
	2001-052	Cylinder, hotel function			•											
③	019F30-8	Knob Shank	•	•		•	•		•	•	•	•		•	•	
	019F31-8	Knob Shank								•		•			•	
	024F92-8	Knob Shank							•					•		
	072F44-8	Knob Shank			•											
	168F71-8	Knob Shank					•									•
	270F24-8	Knob Shank														•
	317F64-8	Knob Shank		•												
	377F81-8	Knob Shank				•										
	405F10-8	Knob Shank			•											
	413F72-8	Knob Shank						•					•			
④	219F80-8	Shank Retainer	•	•	•	•	•	•	•	•	•	•	•	•	•	•
⑤	493F99-9	Knob Filler (M01 Option)	•	•	•	•	•	•	•	•	•	•	•	•	•	•
⑥	399F50	Thimble, outside	•	•	•	•	•		•	•	•	•		•	•	•
	399F51	Thimble, inside	•	•	•	•	•		•	•	•	•		•	•	•
	406F88	Thimble, dummy						•					•			
⑦	398F71	Rose, C Design (2 ⁷ / ₈ " dia.)	•	•	•	•	•	•	•	•	•	•	•	•	•	•
	398F72	Rose, D Design (3 ¹ / ₂ " dia.)	•	•	•	•	•	•	•	•	•	•	•	•	•	•
	406F22	Rose, E Design (3" sq.)	•	•	•	•	•	•	•	•	•	•	•	•	•	•
⑧	398F69-8	Rose Liner, outside	•	•	•	•			•	•	•	•		•	•	
	398F70-8	Rose Liner, inside	•	•	•	•	•		•	•	•	•	•		•	•
	404F64-8	Rose Liner, outside					•									•
⑨	418F08-8	Spring	•	•	•	•	•		•	•	•	•		•	•	•
⑩	398F64-8	Chassis Assembly		•		•									•	
	398F65-8	Chassis Assembly										•				
	398F66-8	Chassis Assembly			•											
	398F75-8	Chassis Assembly	•													
	398F87-8	Chassis Assembly							•					•		
	398F88-8	Chassis Assembly								•						
	399F61-8	Chassis Assembly									•					
	401F00-8	Chassis Assembly					•									
	400F17-8	Chassis Assembly														•

(Parts cross reference does not include parts for product and cylinder options.)

ITEM	PART NO.	DESCRIPTION	CK4210	CK4220	CK4229	CK4230	CK4232	CK4250	CK4251	CK4255	CK4257	CK4261	CK4270	CK4272	CK4275	CK4282
11	022F72-3	Spring, Push Button		•	•	•						•			•	
12	022F80	Push Button Assembly		•		•						•			•	
	157F11-8	Turn Button Assembly							•							
	336F04	Push Button Assembly			•											
13	049F94-7	Spring, Spindle		•												
	312F23-3	Spring, Spindle				•				•		•			•	
14	144F29-8	Plug Driver					•		•		•			•		•
15	168F81-8	Plug Driver Assembly												•		
	168F92-8	Plug Driver Assembly														•
	312F34-8	Plug Driver Assembly										•			•	
	349F01-8	Plug Driver Assembly								•						
16	205F61-8	Plug Driver Assembly Follower							•					•		
17	168F58-3	Retainer in knob shank					•									•
18	227F85-8	Locking Ball														•
19	398F43-8	Emergency Key		•												
20	410F66-9	Instruction Label			•											
21	400F07-8	Adapter Plate						•					•			
22	413F60-8	Reinforcement (E Design only)						•					•			
23	486F83-M	Latch Assembly, Plain	•	•		•										
	486F89-M	Latch Assembly, Deadlocking			•		•		•	•	•	•		•	•	•
24	217L13LEN	ANSI Strike	•	•	•	•	•		•	•	•	•		•	•	•
25	120F76-8	ANSI Wrought Strike Box (M17 Opt.)	•	•	•	•	•		•	•	•	•		•	•	•
26	556F55-8	Screw Packet						•					•			
	604F22	Screw Packet for latch & strike	•	•	•	•	•		•	•	•	•		•	•	•

(Parts cross reference does not include parts for product and cylinder options.)

ITEM	PART NO.	DESCRIPTION	CK4210	CK4220	CK4229	CK4230	CK4232	CK4251	CK4255	CK4257	CK4261	CK4272	CK4275	CK4282
27	398F57-8	Chassis Case		*	*	*	*	*	*	*	*	*	*	
	398F58-8	Chassis Case	*											
	398F59-8	Chassis Case												*
28	019F32-8	Chassis Cap Assembly	*	*	*	*		*	*	*	*	*	*	
	024F93-8	Chassis Cap Assembly					*							*
29	142F92-8	Frame & Retractor Assembly	*	*	*	*	*	*	*	*	*	*	*	*
30	018F91-8	Retainer, Knob	*	*	*	*	*	*	*	*	*	*	*	*
31	018F92-3	Spring, Knob Retainer	*	*	*	*	*	*	*	*	*	*	*	*
32	398F85-8	Yoke	*	*	*	*		*	*	*	*	*	*	
	436F78-8	Yoke					*							*
33	224F00-8	Screw, Sems Assembly #8-32 x 1 1/4"	*	*	*	*	*	*	*	*	*	*	*	*
34	216F38-9	O-Ring	*	*	*	*	*	*	*	*	*	*	*	*
35	019F14-8	Coupling	*	*	*	*		*	*	*	*	*	*	*
	168F77-8	Coupling					*							
36	067F00-3	Retainer, Coupling	*	*	*	*		*	*	*	*	*	*	
37	024F86-8	Hub	*				*	*				*		
	025F29-8	Hub		*		*			*		*		*	
	040F70-8	Hub			*									
	055F68-8	Hub												*
	079F75-8	Hub												*
	147F42-8	Hub					*	*		*		*		
38	168F79-8	Hub & Coupling Assembly					*			*				
	405F09-8	Hub & Coupling Assembly			*									
39	019F10-3	Spring, Spindle					*	*		*		*		*
40	019F11-8	Spring Seat					*	*		*		*		
	055F67-8	Spring Seat												*
41	168F74-8	Spindle					*							
	168F75-8	Spindle						*				*		
42	387F93-8	Spindle & Hub Assembly		*		*					*		*	
	387F95-8	Spindle & Hub Assembly							*					

(Parts cross reference does not include parts for product and cylinder options.)

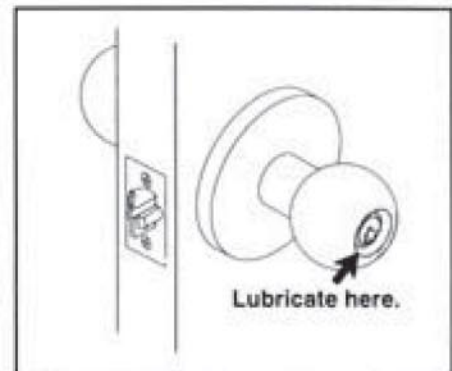
ITEM	PART NO.	DESCRIPTION	CK4210	CK4220	CK4229	CK4230	CK4232	CK4251	CK4255	CK4257	CK4261	CK4272	CK4275	CK4282
43	335F97-8	Spindle & Roll Pin Assembly								•				
44	197F87-8	Spindle Assembly, Long Solid												•
45	197F88-8	Spindle Assembly, Short Hollow												•
46	019F13-7	Pin, Spindle					•	•		•		•		•
47	312F25-8	Retractor Insert		•	•	•							•	
	312F26-8	Retractor Insert									•			
48	312F24-7	Spring, Retractor Insert		•	•	•					•		•	
49	019F01-8	Retainer, Outside Knob					•							•
50	039F19-2	Washer					•							
51	219F89-8	Retainer, Hub												•

Periodic adjustment and maintenance will substantially lengthen the life of the lockset and ensure the best possible trouble-free operation.

Time frames in the following maintenance items are based on normal frequency of operation. For high traffic or high abuse applications, perform suggested maintenance more frequently.

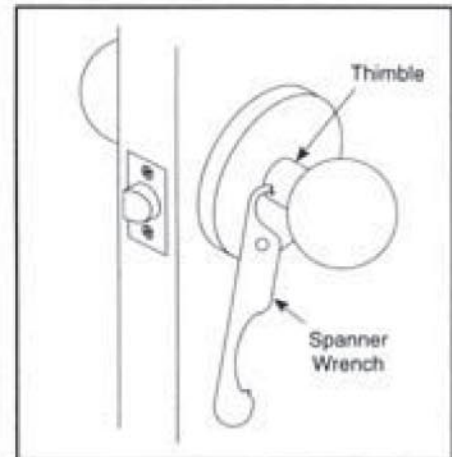
If you have questions regarding installation or adjustment, contact an authorized Corbin Russwin distributor or local sales representative.

- LUBRICATE CYLINDER**
 Lubricate (conventional) cylinder with *small* amount of powdered graphite or molybdenum disulfide every six months. Petroleum based liquid spray lubricants such as WD-40™ and LPS-1™ should only be used in cylinders in harsh or corrosive environments and should never be mixed with the aforementioned dry lubricants. For high security cylinder, use Poxytube™ spray.






- LUBRICATE MOVING PARTS**
 Lubricate moving parts of inside and outside chassis with a small amount of grease or other petroleum lubricant every two years.

- TIGHTEN THIMBLE**
 Check lockset for secure fastening to door once a year. Use spanner wrench on inside thimble to tighten as needed.



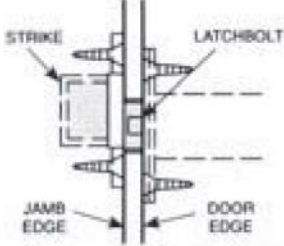
- CARE FOR LOCKSET FINISH**
 Clean lockset using only a soft, damp cloth. Using lacquer thinners, caustic soaps, abrasive cleaners or polishes could damage the coating, resulting in tarnishing.

Tools

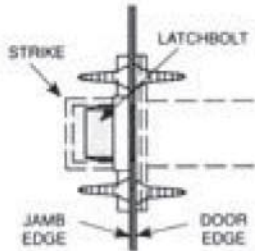
	DESCRIPTION	PART NO.
	Waldes Tru-Arc Pliers for removing and installing large shank retaining ring to gain access to cylinder of knob locksets	CT-25
	Spanner Wrench	300F68-8
	Knob Release Tool	391F65-8

PROBLEM SOLUTIONS

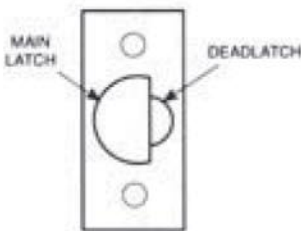
1. Latchbolt does not engage or binds in strike.



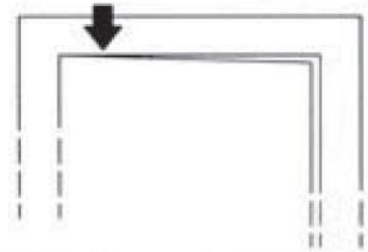
(Incorrect Positioning)



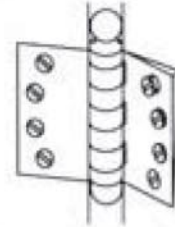
(Correct Positioning)



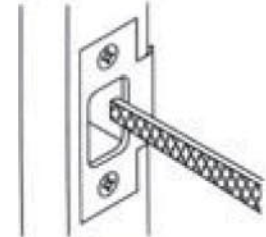
A. Make sure door and frame are plumb and door is not binding in frame.



B. Are hinges tight? Fill holes if necessary, or rehang door if screws will not hold.



C. Is door warped? Shimming, repositioning or filing strike will often compensate for this condition.



D. Is door or frame sagging? If door and frame cannot be returned to plumb relationship, planing or shaving door and repositioning or shimming strike may help. Shimming hinge(s) may also help.

E. Replace, reposition or adjust weatherstripping or door silencers, if necessary.

F. If deadlatch is present, be sure it does NOT enter hole in strike when door closes. If necessary, reposition strike or adjust weatherstripping or door silencers. Only main latch should enter strike.

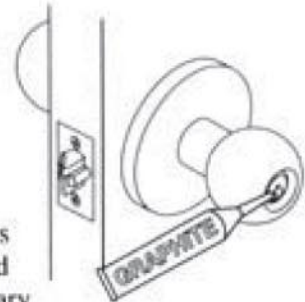
2. Key operates with difficulty.

A. Is latch binding due to door sag or misalignment of latch and strike? (See 1A thru 1F.)

B. Lubricate keyway. **Do not use petroleum products.** Apply powdered graphite to key and move slowly in and out. For high security cylinders, spray Poxylube™ into keyway and move key in and out.

C. Key may be cut out of tolerance. Use calipers or micrometer to check key against published factory specifications. Replace key if necessary.

D. Cylinder may be improperly combined. Dismantle cylinder (locksmith only!), measure all pins and compare to published factory specifications. Recombine if necessary.



1. Using spanner wrench 300F68-8, unscrew thimble at base of *inside* knob as far as possible and back rose and liner away from door surface, allowing limited access to lock chassis.
2. Using small screwdriver or other probe, push spring-loaded knob retainer toward hinge edge of door. While retainer is pushed, pull inside knob off. Note: to illustrate knob retainer clearly, Figure 1 depicts a larger opening than is normally available.

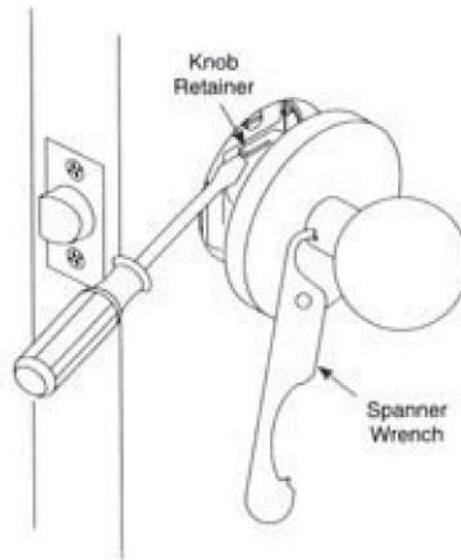


Figure 1
Access to Inside Knob Retainer

3. Finish unscrewing thimble, remove rose and pull lockset out of door from outside.

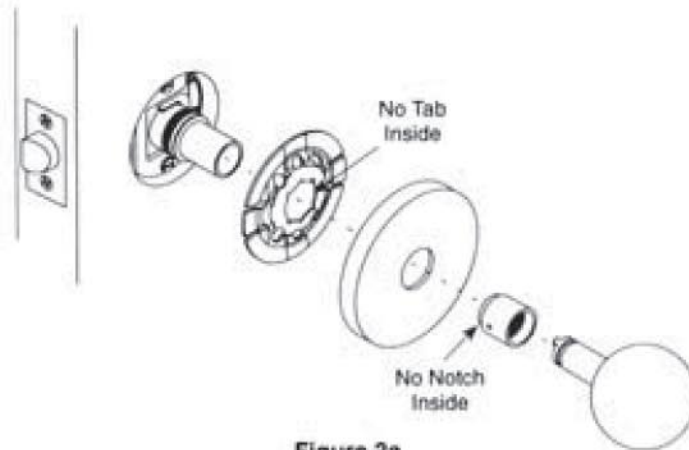


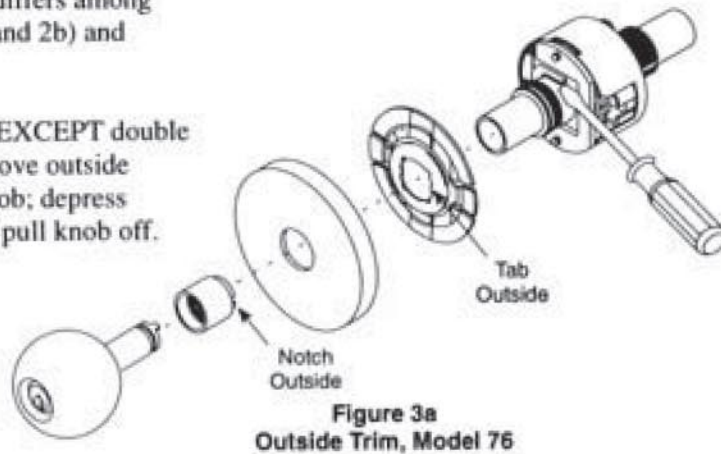
Figure 2a
Inside Trim, Model 76



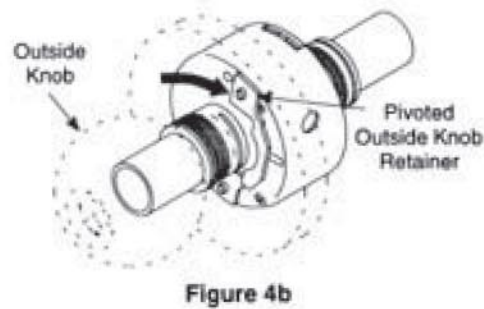
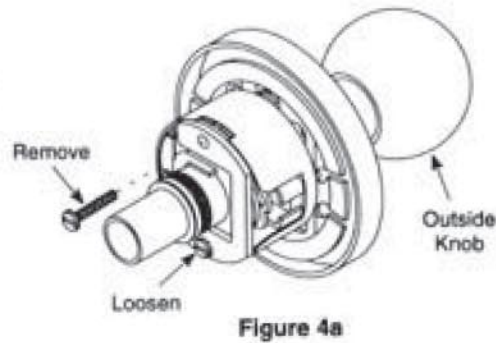
Figure 2b
Inside Trim, Earlier Models

4. Outside knob removal differs among models (see Figure 2a and 2b) and functions.

For Model 76 locksets EXCEPT double cylinder functions, remove outside knob same as inside knob; depress retainer under rose and pull knob off.

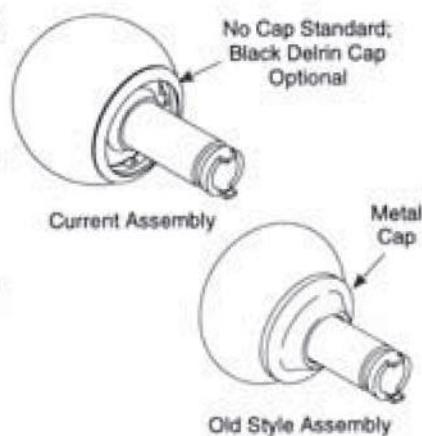


For double cylinder functions and for older model locksets, two large screws are visible on inside face of chassis. Remove one screw completely and loosen other screw slightly. Pivot outside knob retainer on remaining screw to disengage from outside knob shank. Remove outside knob.



5. To gain access to cylinder, observe base of knob shank as it enters knob. Model 76 locksets have direct access to large Waldes Tru-arc retainer inside knob. If optional black Delrin insert is installed, tap knob shank against hard surface to jar insert loose. Remove to access retainer.

Older models have metal cap pressed onto back of knob and may be held tight, or even sealed in place with paint or varnish. If rapping end of shank against hard surface does not loosen cap, use thin screwdriver or other blade to pry cap away from back of knob and remove.



- 6. Using CT-25 pliers, remove large retainer. Remove knob shank to access cylinder.
- 7. If replacing cylinder, reverse above steps to reassemble.
If rekeying existing cylinder, refer to *Corbin Russwin Cylinder Manual* for directions, including proper key cutting and pin length specifications.

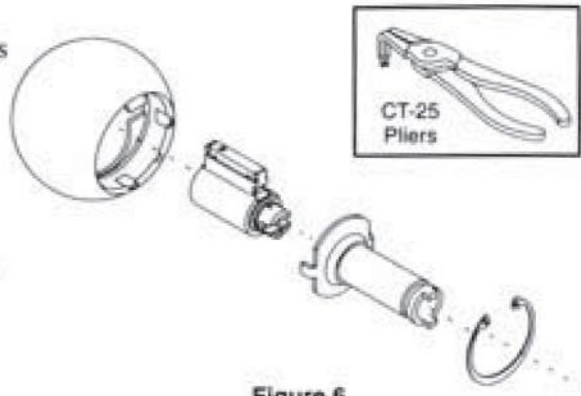


Figure 6

Caution: When reinstalling lockset, be sure outside thimble and rose are screwed onto chassis tube far enough for proper door thickness.

Also be sure chassis engages latch properly, as shown. Improper engagement will cause lockset to malfunction, resulting in damage and possible lock-ins or lock-outs.

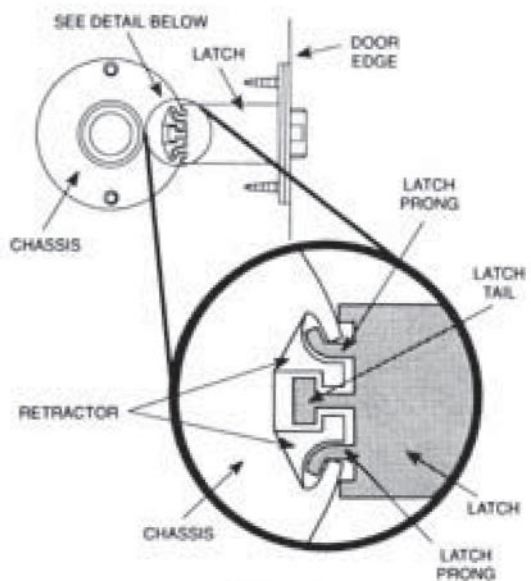


Figure 7

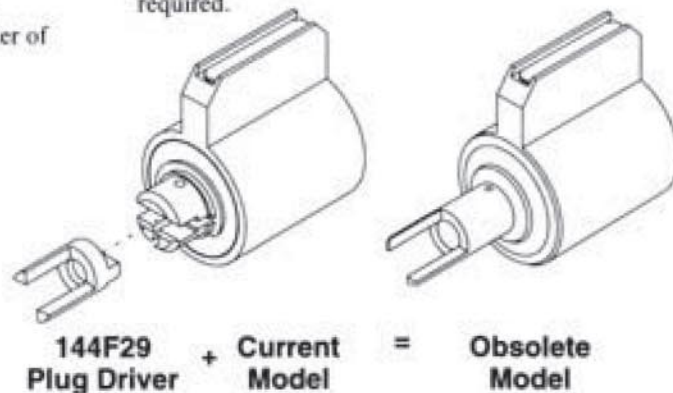
Replacing Old Style Cylinders

460A Type Cylinders

While the old style key-in-knob cylinders have been discontinued, there is a standard replacement for the one cylinder which was the most popular, the 460A type. Most locksets require no modification. However, some do require cutting about 1/4" of the shaft which penetrates the hole in the center of the back of the actuator.

The factory no longer has samples of the locks which used the old style cylinder, so we cannot tell you which locks require alteration and which do not. If you have a retrofit job, you will have to test one lock of each function and knob design to determine what alteration, if any, is required.

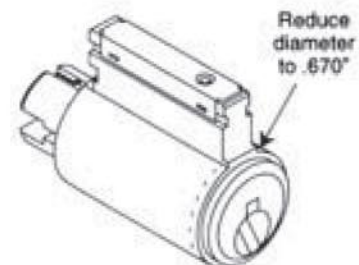
The illustration below shows what is needed to retrofit locks with this cylinder. The master ring version is illustrated, but the procedure applies to high security and standard cylinders as well.



If you are applying the above solution with a standard 2000-052 cylinder (identifiable by the stainless steel spring cover) be aware that the cylinder shell interferes in the front of some old knobs. This problem is easy to test for. Install the new style cylinder. Install the knob shank and retainer. If the shank does not go far enough into the knob to install the retainer, then you have the interference problem.

There are three different solutions, listed here in the order of preference:

1. Use master ring cylinders instead of conventional cylinders.
2. File or machine the diameter of the front of the shell around the plug head to .670"
3. File or machine about .015" off the back of the cylinder bible. This solution, however, does not allow the cylinder to rest in a position as stable as the other two solutions provide.



Solution #2



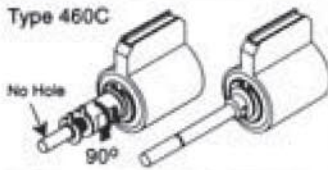


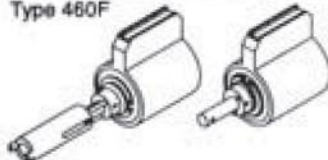
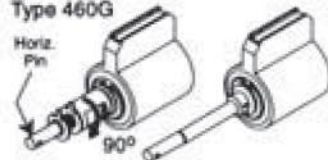

Other 460 Type Cylinders

The factory no longer has tooling for the variety of old pinned-on actuators, so entire cylinders are obsolete. However, if the order quantity is large enough, it may be possible to furnish the cylinder without the actuator. In this case, the actuator from the old cylinder must be transferred to the new cylinder in the field.

It is easy to transfer actuators for 460B, C, D, E, F, G and M type cylinders because there is a separate plug retainer. Otherwise end play of the plug would be a problem in field conversion. In the A type cylinder described above, it would be difficult to transfer actuators in the field because the actuator also serves as the plug retainer and controls end play. Luckily, we are able to provide a different solution for 460A.

You may also try a modern cylinder with 168F81-8 for 460B and 168F92-8 for 460M type cylinders.

Original CK4200 Series Cylinders For Locks Manufactured 1952 – 1964

	Corbin Lockset	Russwin Lockset	Function Description	Key Class	Regular Cylinder	Master Ring Cylinder
Type 460A 	432 both 451 454 out 457 459 474 out	452 ^{1/2} both 440 446 ^{1/2} out 452 452C 451 ^{1/2} out	asylum entry, no release vestibule storeroom storeroom x thumbturn storeroom x classroom	X Z Russ.	460A 5460A 19F35	460 ^{1/2} A 5460 ^{1/2} A 44F89
Type 460B 	402 both 454 in 456	450 ^{1/2} both 446 ^{1/2} in 447	keys lock opposite knobs vestibule key inside controls blank outside knob	X Z Russ.	460B 5460B 24F15	460 ^{1/2} B 5460 ^{1/2} B 84F02
Type 460C 	404 both 455 455 ^{1/4} 469 474 in 487	456 ^{1/2} both 440 ^{5/8} H440 ^{5/8} 440 ^{5/8} C 451 ^{1/2} 451 ^{5/8}	classroom x classroom classroom classroom with holdback classroom x thumbturn storeroom x classroom cylinder x blank	X Z Russ.	460C 5460C 25F26	460 ^{1/2} C 5460 ^{1/2} C 82F90
Type 460D 	405 455 ^{3/4}	456 454	button for outside, key for both asylum, single cylinder	X Z Russ.	460D 5460D 25F56	460 ^{1/2} D 5460 ^{1/2} D 84F04
Type 460E 	461 462 463	446 442 435	Entry, released by: turning knob or key turning knob turning knob or closing	X Z Russ.	460E 5460E 25F65	460 ^{1/2} E 5460 ^{1/2} E 48F04
Type 460F 	427 429	433HM 433EM	Stateroom/Hotel Hotel with spanner key	X Z Russ.	460F 5460F 40F80	460 ^{1/2} F 5460 ^{1/2} F 48F05
Type 460G 	465	453	Dormitory	X Z Russ.	460G 5460G 67F69	460 ^{1/2} G 5460 ^{1/2} G 83F06
Type 460M 	488 both	448 ^{1/2} both	Store Door	X Z Russ.	460M 5460M 55F76	460 ^{1/2} M 5460 ^{1/2} M 84F11



ASSA ABLOY

In U.S.

Corbin Russwin
Architectural Hardware
225 Episcopal Road
Berlin, CT 06037
Phone: 800-543-3658
Fax: 800-447-6714
corbinrusswin.com

In Canada

ASSA ABLOY Door
Security Solutions Canada
160 Four Valley Drive
Vaughan, Ontario
Canada L4K 4T9
Phone: 800-461-3007
Fax: 905-738-2478
www.assaabloy.ca

For more information regarding Corbin Russwin Locksets, Exit Devices, Door Controls and Key Systems, contact your authorized Corbin Russwin Distributor or Sales Representative.

Corbin Russwin and Design® is a registered trademark of Corbin Russwin, Inc, an ASSA ABLOY Group company. Other products' brand names may be trademarks or registered trademarks of their respective owners and are mentioned for reference purposes only. These materials are protected under US copyright laws. All contents current at time of publication. Corbin Russwin, Inc., an ASSA ABLOY Group company reserves the right to change availability of any item in this catalog, its design, construction, and/or its materials. Copyright © 1999, 2009 Corbin Russwin, Inc., an ASSA ABLOY Group company. All rights reserved. Reproduction in whole or in part without the express written permission of Corbin Russwin, Inc. is prohibited.

ASSA ABLOY is the global leader in door opening solutions, dedicated to satisfying end-user needs for security, safety and convenience.