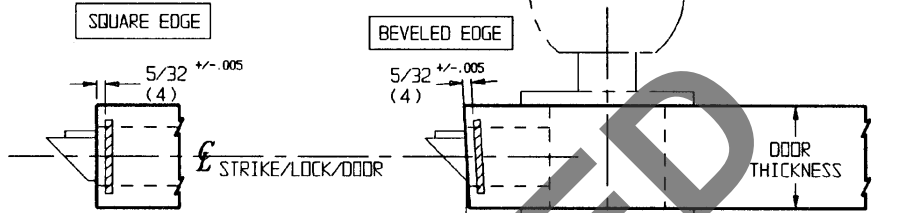


NOTES:

1. BACKSET IS MEASURED FROM CENTERLINE OF BEVEL WHICH IS CENTERPOINT OF DOOR THICKNESS.
2. DOOR PREP WITH 2-3/4" BACKSET MEETS ANSI STANDARDS A115.2 FOR STEEL DOORS AND A115.W2 FOR WOOD DOORS.
3. DIMENSIONS GIVEN IN INCHES AND (MM).
4. 1-1/4" STRIKE LIP SUITS FRAME FOR 1-3/4" THICK DOOR. LIP WILL VARY FOR OTHER DOOR THICKNESSES.

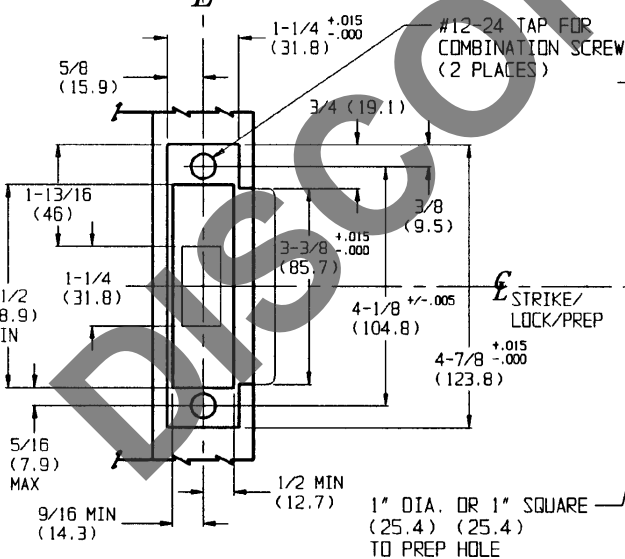
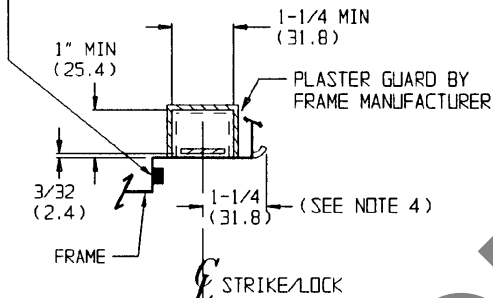
TEMPLATE CROSS REFERENCE

DESCRIPTION	TEMPLATE
596L19 OPTIONAL STRIKE	T30476
601F28 RABBETED FRONT & STRIKE	T30640
CK4250 & CK4270 DUMMY TRIM	T30561



CAUTION: DOOR AND FRAME MANUFACTURERS

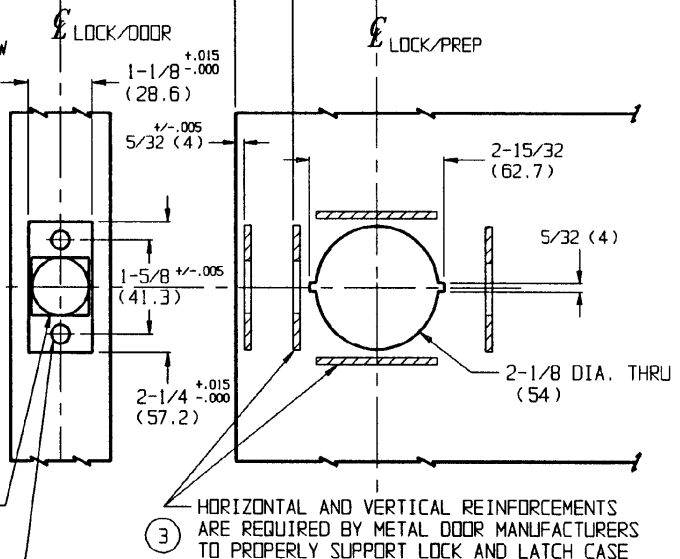
WHEN DOOR GASKETING OR SILENCERS ARE USED, PROPER ALLOWANCES MUST BE MADE FOR STRIKE LOCATION TO MAINTAIN A COMMON CENTERLINE WITH LOCK AND DOOR AS SHOWN SO THAT BOLT WILL FREELY ENTER STRIKE.



FRAME DETAIL
ANSI STRIKE 217L13 (REGULARLY FURNISHED)
BOX 120F76 (OPTIONAL)

#8-32 TAP FOR COMBINATION SCREW (2 PLACES)

DOOR DETAIL



A BACKSET	REMARKS
2-3/4 (69.9)	REGULAR
3-3/4 (95.3)	OPTIONAL
5" (127)	
7" (177.8)	

TOLERANCES	
INCHES	(MM)
.005	(.127)
.015	(.381)

RESPONSIBILITY

Door and Frame Manufacturers are responsible for providing adequate construction or reinforcements for proper installation of hardware shown. All architectural builders hardware must be installed on properly reinforced doors and frames, regardless of the type, material, or method of construction.

CK4200 SERIES

CYLINDRICAL KNOB LOCKSET
ALL FUNCTIONS EXCEPT DUMMY TRIM



DO NOT SCALE DRAWING
SUPERSEDES T30341-2 OR. OLD APP.
DATE 9-95 TEMPLATE NUMBER T30341-3