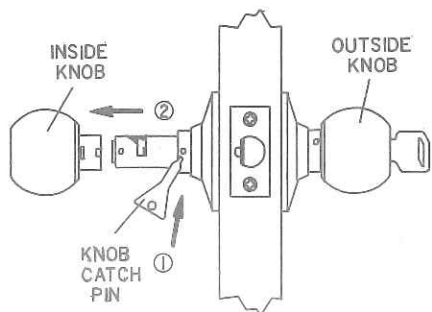


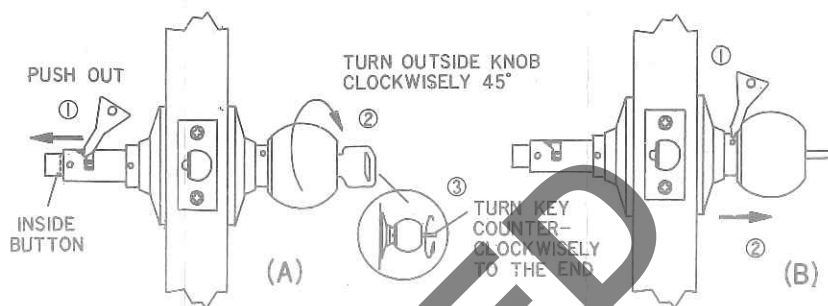
# INSTRUCTION FOR REPLACEMENT OF HOTEL (# 66) FUNCTION CYLINDER ASSEMBLY

(# 66)

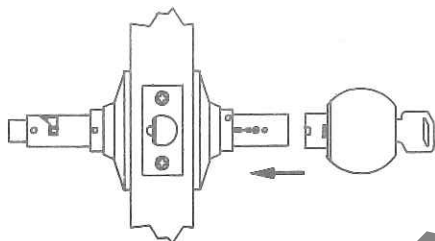
- \*USE A PIN TO DEPRESS INSIDE KNOB CATCH
- \*PULL OUT INSIDE KNOB



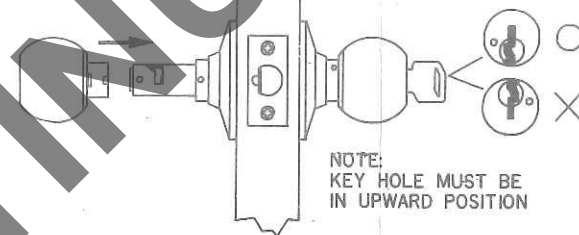
- \*USE A PIN TO PUSH OUT INSIDE BUTTON
- \*TURN OUTSIDE KNOB CLOCKWISELY 45° UNTIL KNOB CATCH IS VISIBLE UNDER HOLE ON COLLAR
- \*TURN KEY COUNTERCLOCKWISELY TO THE END
- \*DEPRESS KNOB CATCH AND PULL OUT OUTSIDE KNOB



- \*AFTER REPLACING CYLINDER ASSEMBLY, INSTALL OUTSIDE KNOB ACCORDING TO INSTALLATION INSTRUCTION FOR ENTRANCE LOCK
- \*PUSH DOWN INSIDE BUTTON



- \*INSTALL INSIDE KNOB



NOTE:  
KEY HOLE MUST BE  
IN UPWARD POSITION

DISCONTINUED