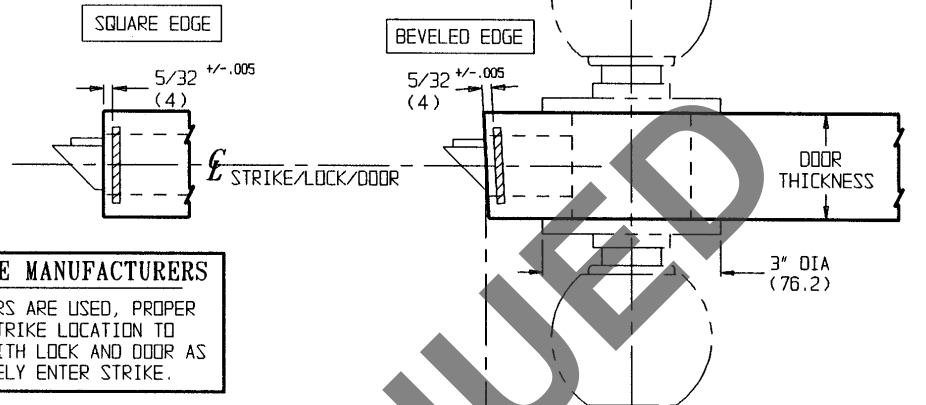


**NOTES:**

1. BACKSET IS MEASURED FROM CENTERLINE OF BEVEL WHICH IS CENTERPOINT OF DOOR THICKNESS.
2. DOOR PREP WITH 2-3/4" BACKSET MEETS ANSI STANDARDS A115.2 FOR STEEL DOORS AND A115.W2 FOR WOOD DOORS.
3. DIMENSIONS GIVEN IN INCHES AND (MM).
4. 1-1/4" STRIKE LIP SUITS FRAME FOR 1-3/4" THICK DOOR. LIP WILL VARY FOR OTHER DOOR THICKNESSES.

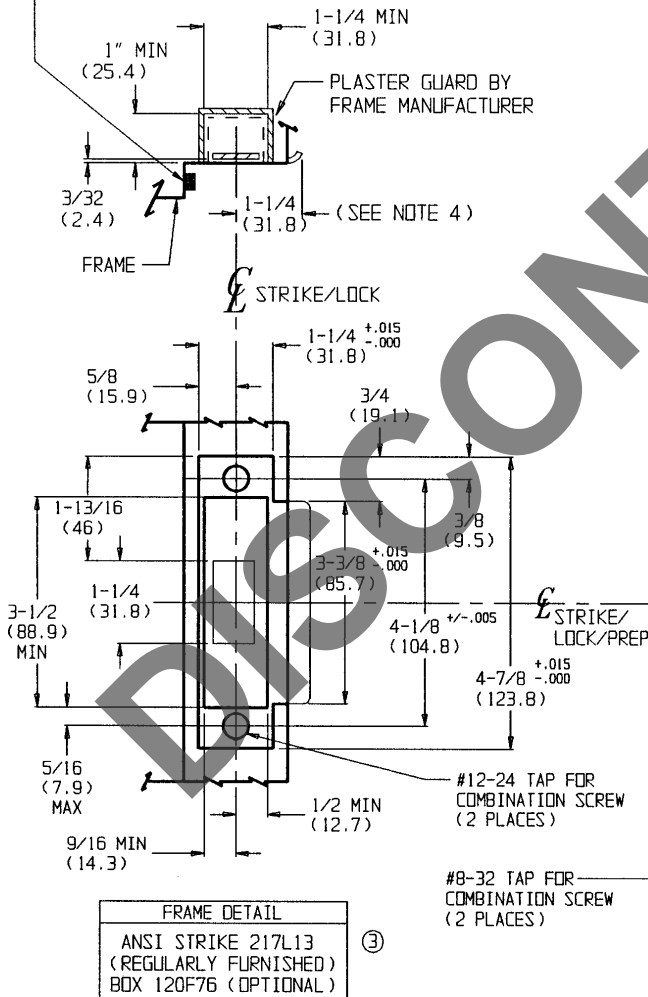
**TEMPLATE CROSS REFERENCE**

| DESCRIPTION            | TEMPLATE |
|------------------------|----------|
| CK4450 DUMMY TRIM      | T30498   |
| 586L19 OPTIONAL STRIKE | T30476   |

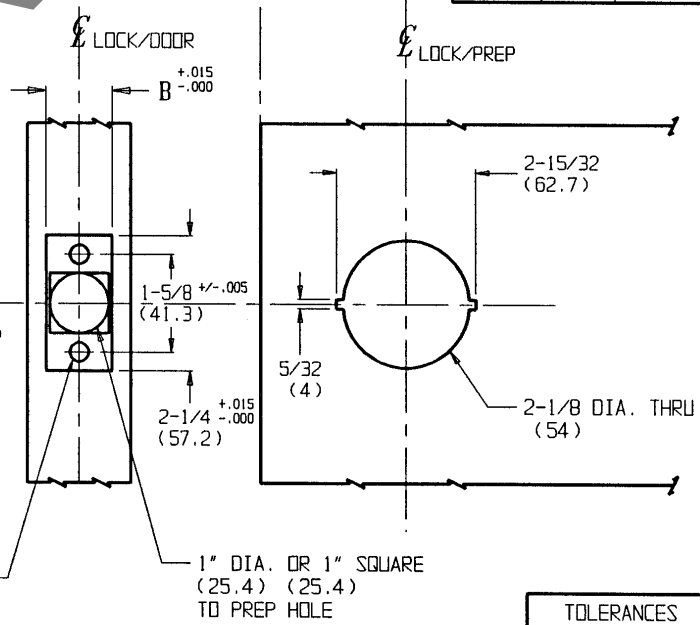


**CAUTION: DOOR AND FRAME MANUFACTURERS**

WHEN DOOR GASKETING OR SILENCERS ARE USED, PROPER ALLOWANCES MUST BE MADE FOR STRIKE LOCATION TO MAINTAIN A COMMON CENTERLINE WITH LOCK AND DOOR AS SHOWN SO THAT BOLT WILL FREELY ENTER STRIKE.



| A<br>BACKSET    | B<br>FRONT      | REMARKS  |
|-----------------|-----------------|----------|
| 2-3/4<br>(69.9) | 1-1/8<br>(28.6) | REGULAR  |
| 2-3/8<br>(60.3) | 1"<br>(25.4)    | OPTIONAL |
| 3-3/4<br>(95.3) | 1"<br>(25.4)    |          |
| 5"<br>(127)     | 1"<br>(25.4)    |          |



| TOLERANCES |        |
|------------|--------|
| INCHES     | (MM)   |
| .005       | (.127) |
| .015       | (.381) |

**RESPONSIBILITY**

Door and Frame Manufacturers are responsible for providing adequate construction or reinforcements for proper installation of hardware shown. All architectural builders hardware must be installed on properly reinforced doors and frames, regardless of the type, material, or method of construction.

**CK4400 SERIES**

**CYLINDRICAL KNOB LOCKSET**

ALL FUNCTIONS EXCEPT DUMMY TRIM



DO NOT SCALE DRAWING

|            |          |                 |          |          |
|------------|----------|-----------------|----------|----------|
| SUPERSEDES | T30400-2 | OR              | OLD      | APPROVED |
| DATE       | 1-98     | TEMPLATE NUMBER | T30400-3 |          |