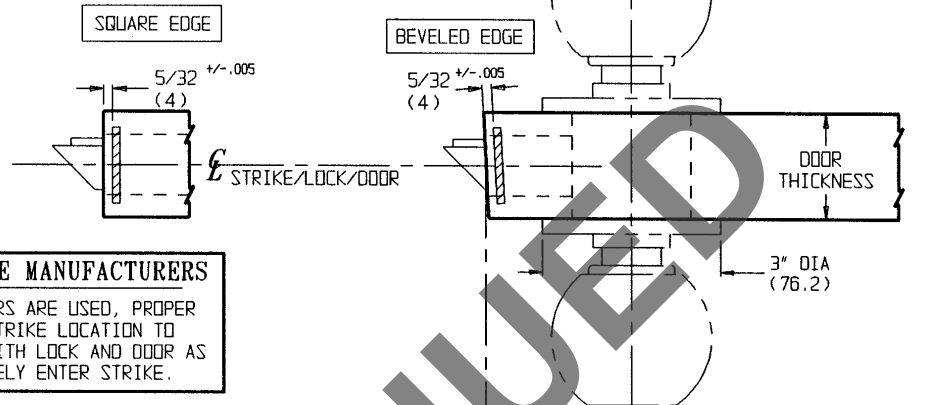


NOTES:

1. BACKSET IS MEASURED FROM CENTERLINE OF BEVEL WHICH IS CENTERPOINT OF DOOR THICKNESS.
2. DOOR PREP WITH 2-3/4" BACKSET MEETS ANSI STANDARDS A115.2 FOR STEEL DOORS AND A115.W2 FOR WOOD DOORS.
3. DIMENSIONS GIVEN IN INCHES AND (MM).
4. 1-1/4" STRIKE LIP SUITS FRAME FOR 1-3/4" THICK DOOR. LIP WILL VARY FOR OTHER DOOR THICKNESSES.

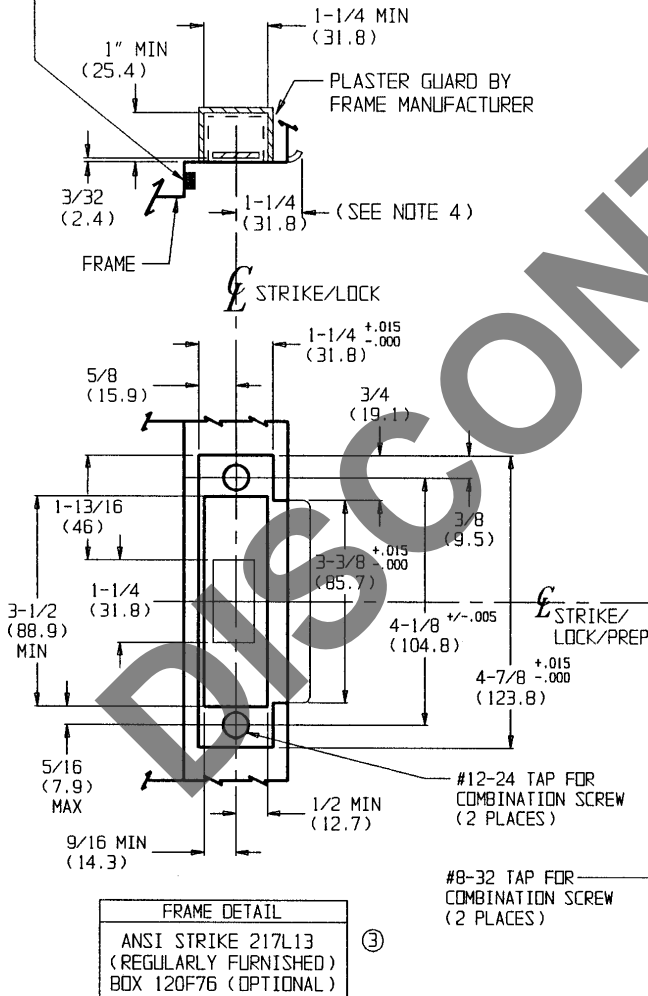
TEMPLATE CROSS REFERENCE

DESCRIPTION	TEMPLATE
CK4450 DUMMY TRIM	T30498
586L19 OPTIONAL STRIKE	T30476

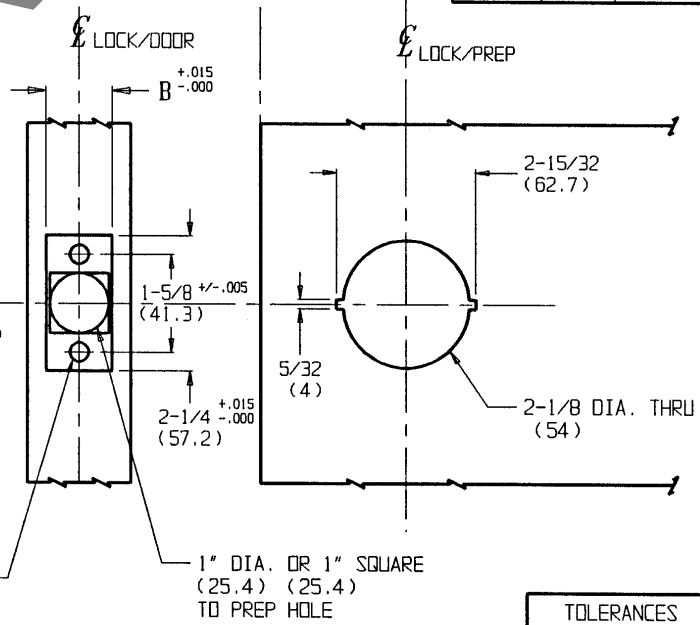


CAUTION: DOOR AND FRAME MANUFACTURERS

WHEN DOOR GASKETING OR SILENCERS ARE USED, PROPER ALLOWANCES MUST BE MADE FOR STRIKE LOCATION TO MAINTAIN A COMMON CENTERLINE WITH LOCK AND DOOR AS SHOWN SO THAT BOLT WILL FREELY ENTER STRIKE.



A BACKSET	B FRONT	REMARKS
2-3/4 (69.9)	1-1/8 (28.6)	REGULAR
2-3/8 (60.3)	1\" (25.4)	OPTIONAL
3-3/4 (95.3)	1\" (25.4)	
5\" (127)	1\" (25.4)	



TOLERANCES	
INCHES	(MM)
.005	(.127)
.015	(.381)

RESPONSIBILITY

Door and Frame Manufacturers are responsible for providing adequate construction or reinforcements for proper installation of hardware shown. All architectural builders hardware must be installed on properly reinforced doors and frames, regardless of the type, material, or method of construction.

CK4400 SERIES

CYLINDRICAL KNOB LOCKSET

ALL FUNCTIONS EXCEPT DUMMY TRIM



DO NOT SCALE DRAWING

SUPERSEDES	T30400-2	OR	OLD	APPROVED
DATE	1-98	TEMPLATE NUMBER	T30400-3	