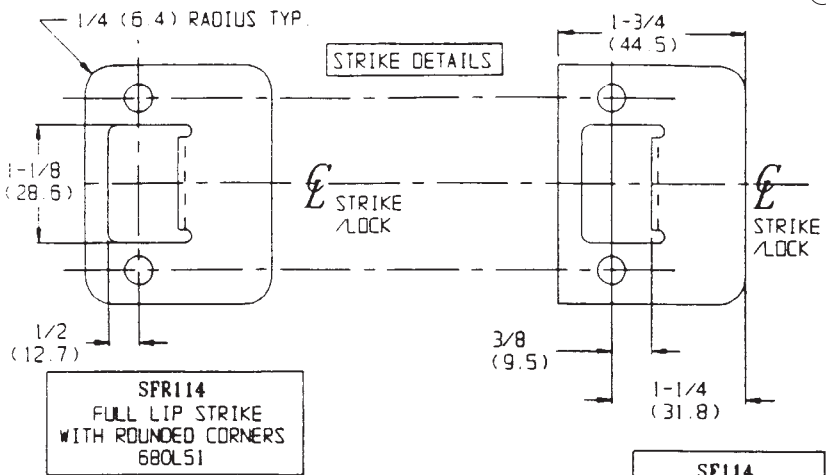


③

Template Cross Reference

Description	Template
CL3900 Series Cylindrical Lever Lock	T30681
CK4700 Series Cylindrical Knob Lock	T30687
CL3700 Series Cylindrical Lever Lock	T30686
CL3800 Series Cylindrical Lever Lock	T31005
TL3700 Series Tubular Lock	T31048
HP3000 Series Tubular Push/Pull Paddle Trim Lock	T31188

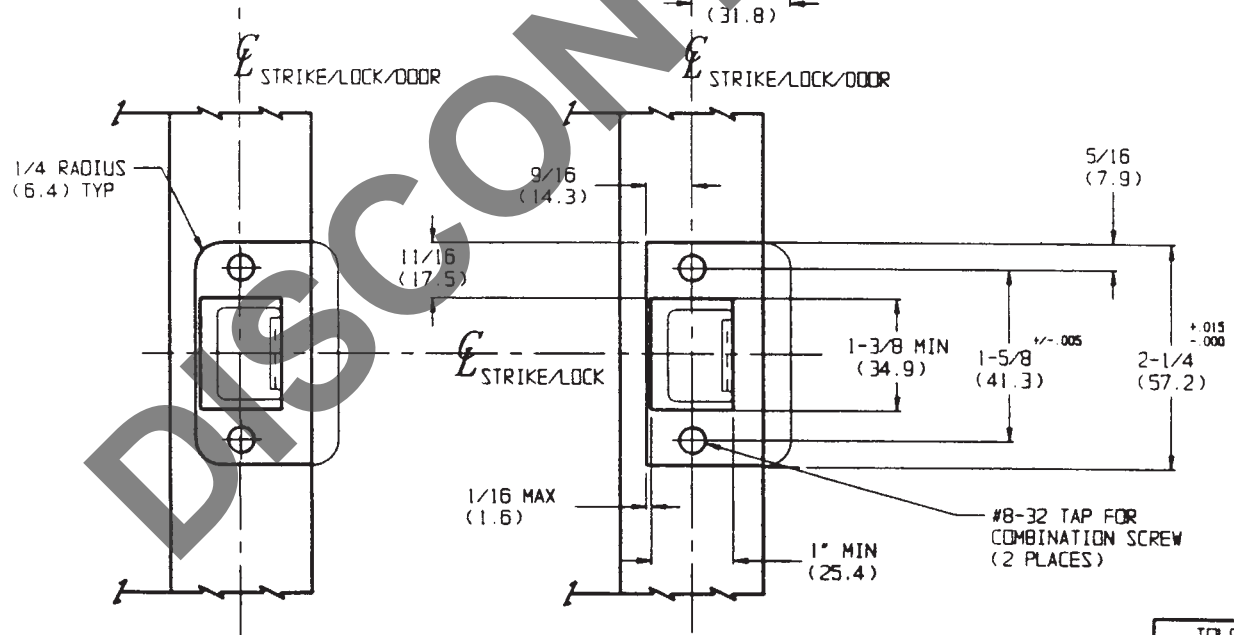
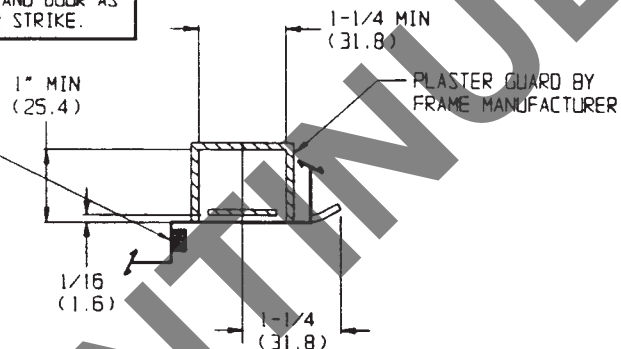


**SFR114**  
FULL LIP STRIKE  
WITH ROUNDED CORNERS  
680L51

**SF114**  
FULL LIP STRIKE  
680L50

**CAUTION: DOOR AND FRAME MANUFACTURERS**  
WHEN DOOR GASKETING OR SILENCERS ARE USED, PROPER ALLOWANCES MUST BE MADE FOR STRIKE LOCATION TO MAINTAIN A COMMON CENTERLINE WITH LOCK AND DOOR AS SHOWN SO THAT BOLT WILL FREELY ENTER STRIKE.

NOTES:  
1. DIMENSIONS GIVEN IN INCHES AND (MM).



**FRAME DETAIL**  
WITH ROUNDED CORNERS

**FRAME DETAIL**

TOLERANCES	
INCHES	(MM)
.005	(.127)
.015	(.381)

**RESPONSIBILITY**

DOOR AND FRAME MANUFACTURERS ARE RESPONSIBLE FOR PROVIDING ADEQUATE CONSTRUCTION OR REINFORCEMENTS FOR PROPER INSTALLATION OF HARDWARE SHOWN. ALL ARCHITECTURAL BUILDERS HARDWARE MUST BE INSTALLED ON PROPERLY REINFORCED DOORS AND FRAMES, REGARDLESS OF TYPE, MATERIAL, OR METHOD OF CONSTRUCTION.

**SF114 & SFR114**  
**Full Lip Strike**

680L50 (SF114 - Regular)  
680L51 (SFR114 - RND Corners)



**ASSA ABLOY**

www.corbinruswin.com

SUPERSEDES T30683-2 DO NOT SCALE DRAWING

TEMPLATE NUMBER T30683-3 DATE 01-11