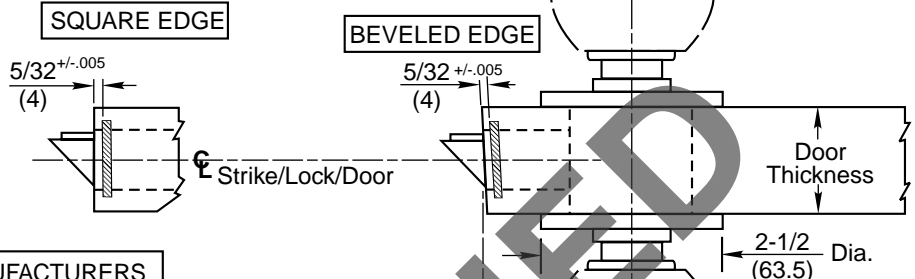


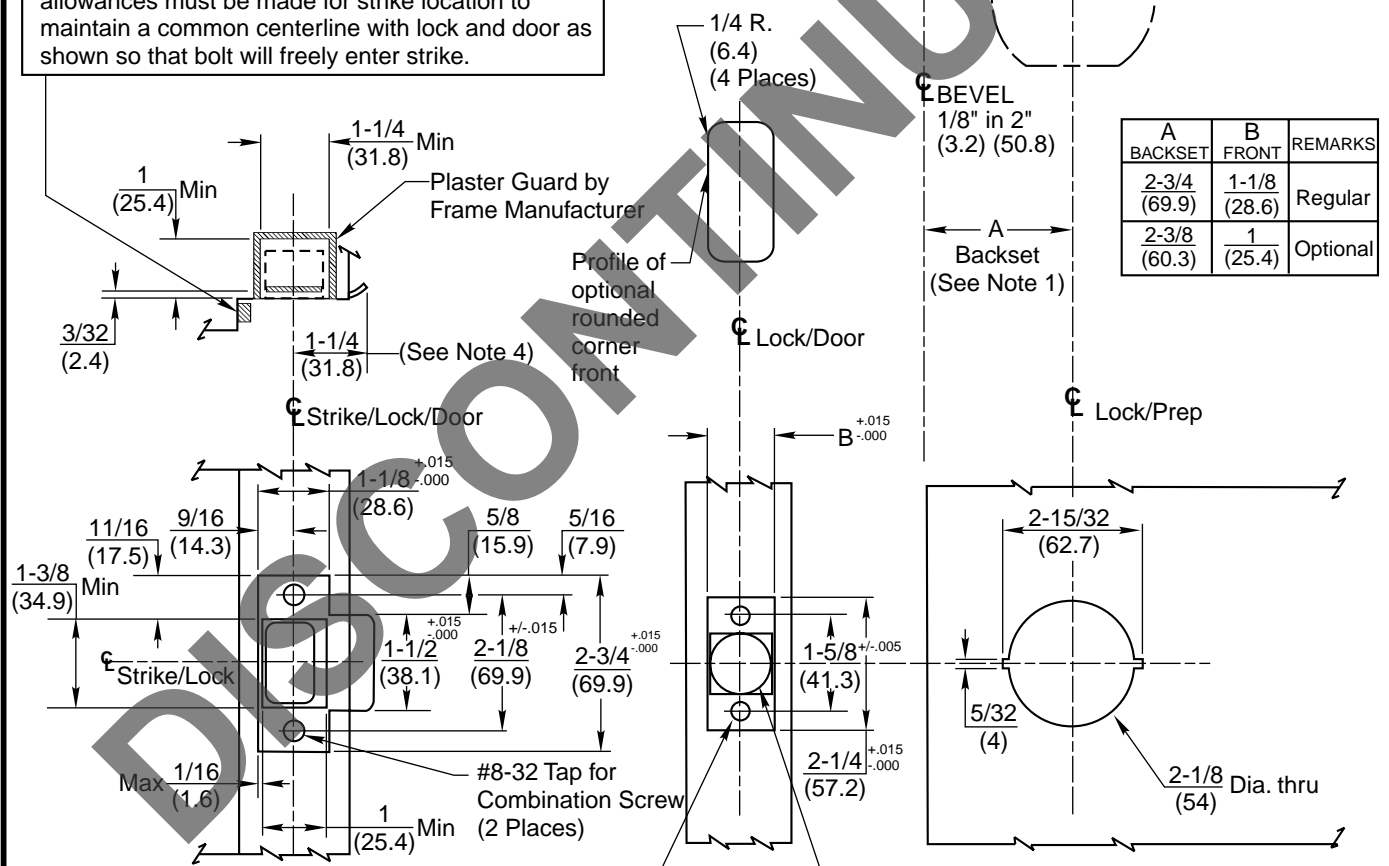
**Notes:**

1. Backset is measured from centerline of bevel which is centerpoint of door thickness.
2. Door prep with 2-3/4" (69.9) backset meets ANSI standards A115.2 for steel doors and A115.W2 for wood doors.
3. Dimensions given in inches and (mm).
4. 1-1/4" strike lip suits frame for 1-3/4" thick door. Lip will vary for other door thicknesses.

TEMPLATE CROSS REFERENCE	
DESCRIPTION	TEMPLATE
CK4750 Dummy Trim	T30688
217L13 Optional Strike	T30543-2
SF114, SFR114 Full Lip Strike	T30683



**CAUTION: DOOR AND FRAME MANUFACTURERS**  
 When door gasketing or silencers are used, proper allowances must be made for strike location to maintain a common centerline with lock and door as shown so that bolt will freely enter strike.



A BACKSET	B FRONT	REMARKS
2-3/4 (69.9)	1-1/8 (28.6)	Regular
2-3/8 (60.3)	1 (25.4)	Optional

FRAME DETAIL
Curved Lip "T" Strike 687F60 1/4" Lip & Dust Box 687F94 (regularly furnished)

#8-32 Tap for Combination Screw (2 Places)

TOLERANCES	
INCHES	(mm)
.005	(.127)
.015	(.381)

**RESPONSIBILITY**  
 Door and Frame Manufacturers are responsible for providing adequate construction or reinforcements for proper installation of hardware shown. All architectural builders hardware must be installed on properly reinforced doors and frames, regardless of the type, material, or method of construction.

**CK4700  
 Tubular Knob Lockset**

All Functions  
 Except Dummy Trim

**Corbin  
 Russwin**<sup>®</sup>  
 www.corbinrusswin.com  
 Do Not Scale Drawing

Supersedes	T30687-1	Dr.	App.
Date	6-04	Template Number	T30687-2