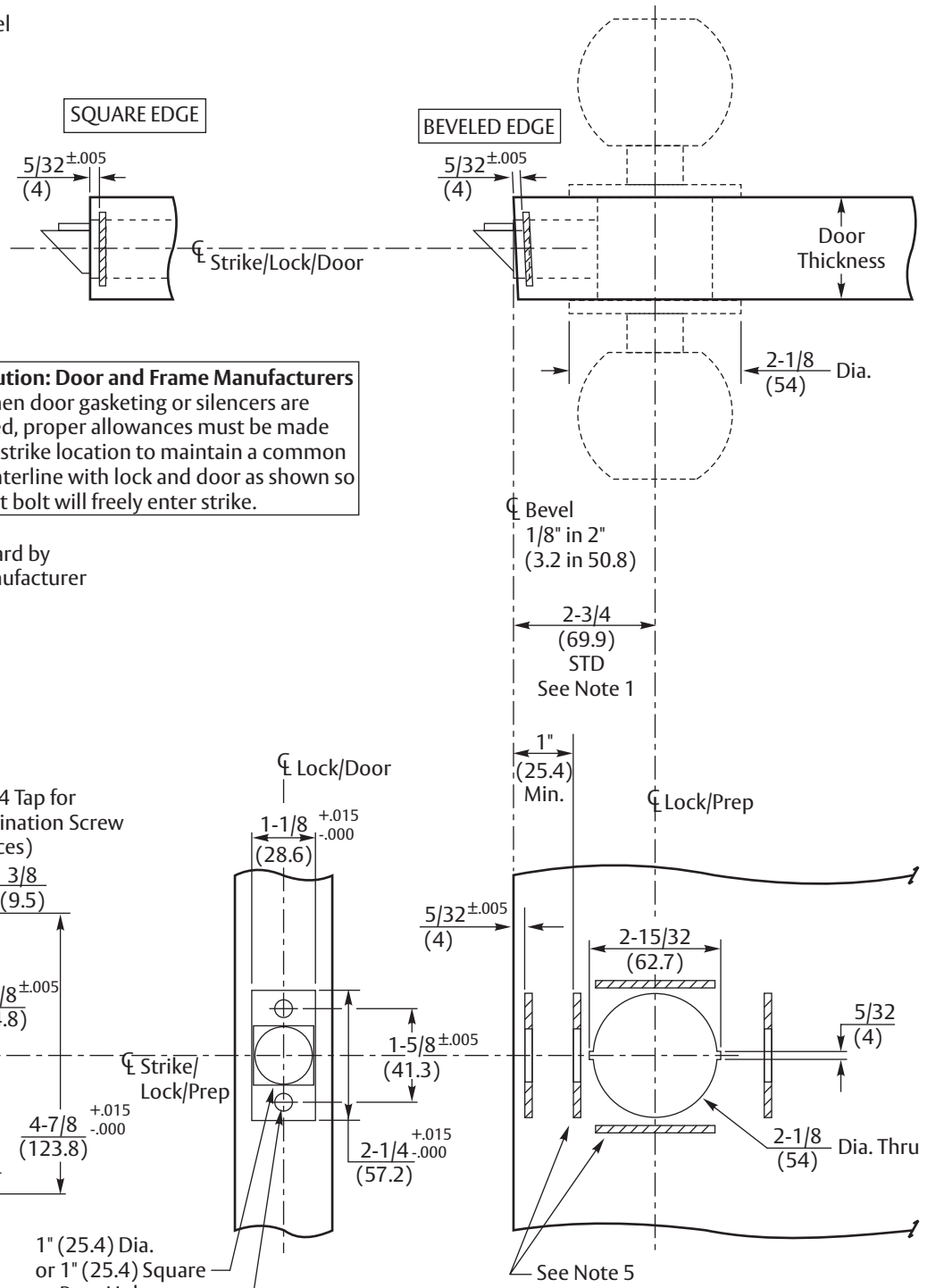


Notes:

1. Backset is measured from centerline of bevel which is centerpoint of door thickness.
2. Door prep with 2-3/4" (70) backset meets ANSI/BHMA A156.115 standards for steel doors and ANSI/BHMA A156.115W standards for wood doors.
3. Dimensions given in inches and (mm).
4. 1-1/4" (32) strike lip suits frame for 1-3/4" (45) thick door. Lip will vary for other door thicknesses.
5. Horizontal and vertical reinforcements are required by metal door manufacturers to properly support lock and latch case.

Caution: Door and Frame Manufacturers
When door gasketing or silencers are used, proper allowances must be made for strike location to maintain a common centerline with lock and door as shown so that bolt will freely enter strike.



Frame Detail
ANSI Strike (Regularly Furnished)
Strike Box (Optional)

Tolerance Conversion	
Inches	(mm)
.005	(.127)
.015	(.381)

RESPONSIBILITY
DOOR AND FRAME MANUFACTURERS ARE RESPONSIBLE FOR PROVIDING ADEQUATE CONSTRUCTION OR REINFORCEMENTS FOR PROPER INSTALLATION OF HARDWARE SHOWN. ALL ARCHITECTURAL BUILDERS HARDWARE MUST BE INSTALLED ON PROPERLY REINFORCED DOORS AND FRAMES, REGARDLESS OF TYPE, MATERIAL, OR METHOD OF CONSTRUCTION.

**CK4800 Series
Grade 2 Knob Locks
Wood or Metal Door Preparation
(See ANSI/BHMA A156.115)**

Corbin Russwin
ASSA ABLOY
www.corbinrusswin.com

SUPERSEDES	DO NOT SCALE DRAWING	
TEMPLATE NUMBER	T31266	SHEET 1 of 1
		DATE 06-22