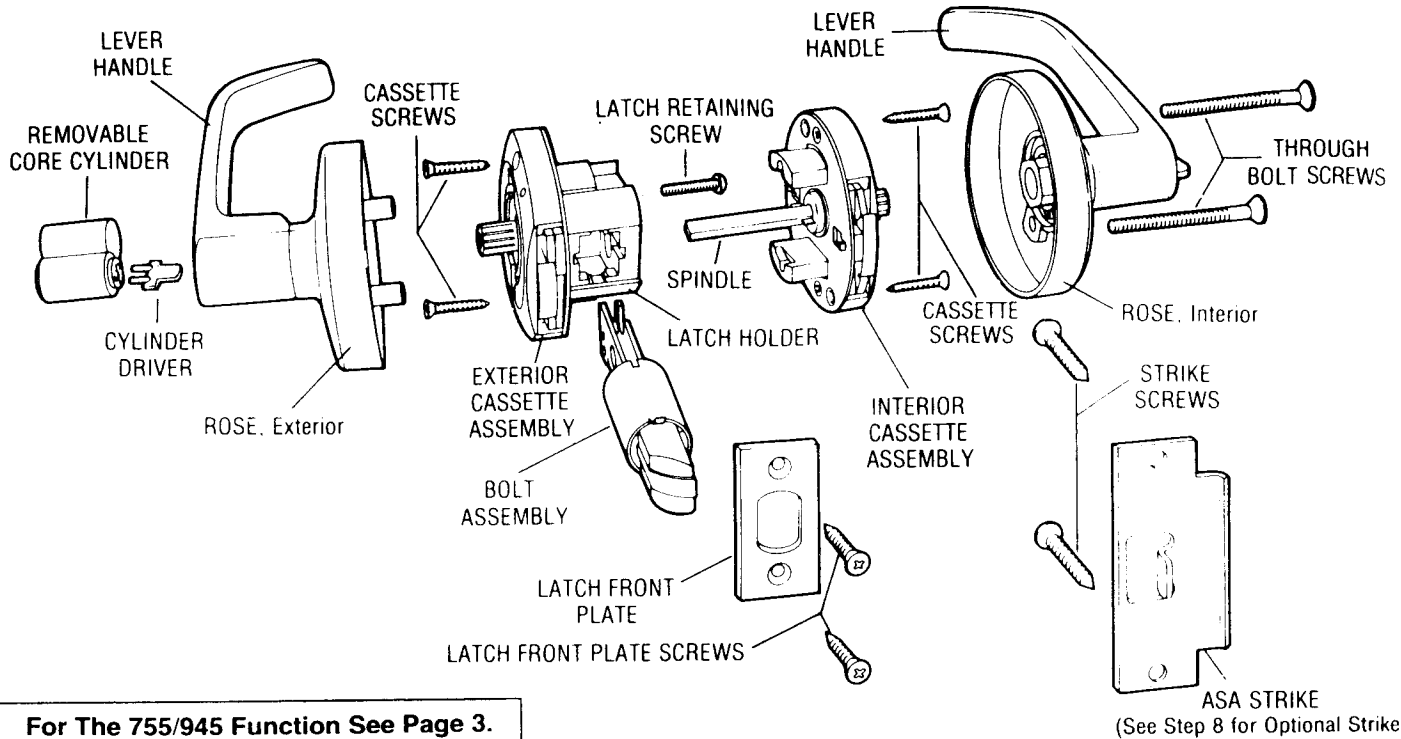


SECURITY BOLT LOCKSET Series: 700 and 900

INSTALLATION INSTRUCTIONS



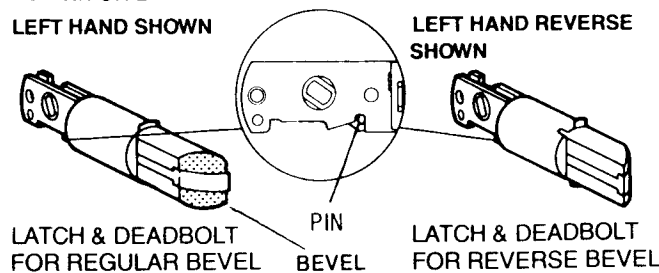
For The 755/945 Function See Page 3.

Check Before Installing Lock (All Functions)

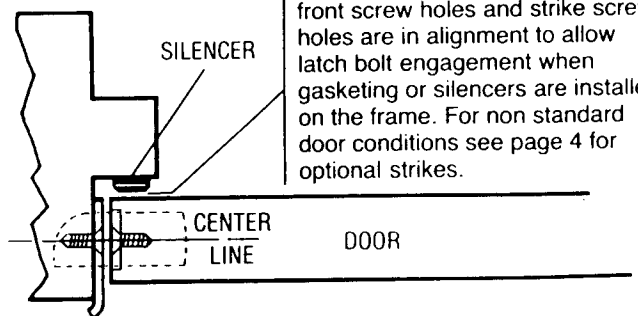
BOLT ASSEMBLY TYPES:

REGULAR BEVEL
FOR RH OR LH
LEFT HAND SHOWN

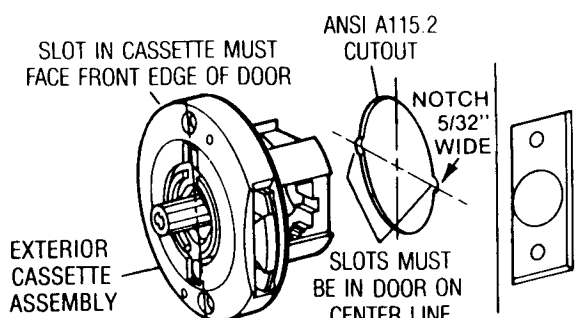
REVERSE BEVEL
FOR RHR OR LHR
LEFT HAND REVERSE
SHOWN



IMPORTANT:

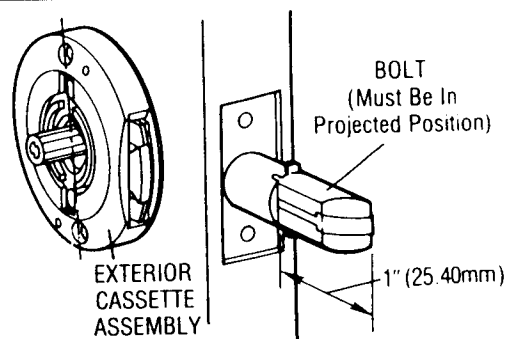


1 Install Exterior Cassette



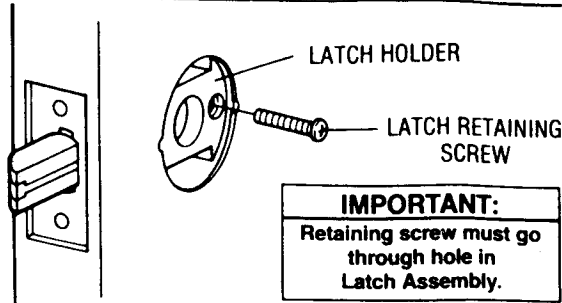
Insert the Exterior Cassette Assembly into door. Press

2 Install Bolt Latch



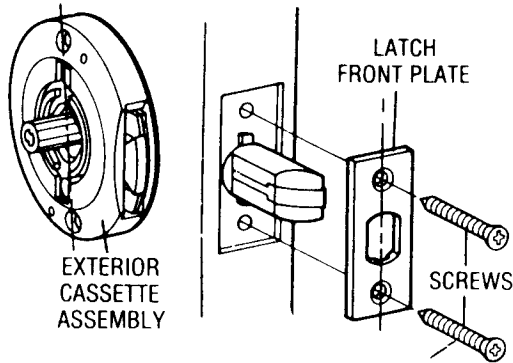
Insert the one-piece Bolt through the hole in door front edge preparation

3 Secure Latch & Latch Holder



Line up Bolt Assembly with Latch Holder and secure both with the Retaining Screw.

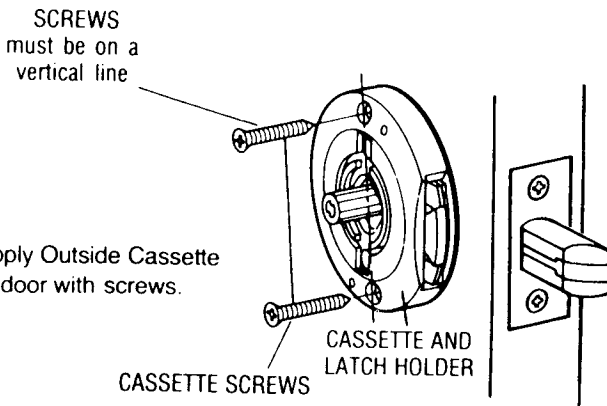
4 Install Latch Front Plate



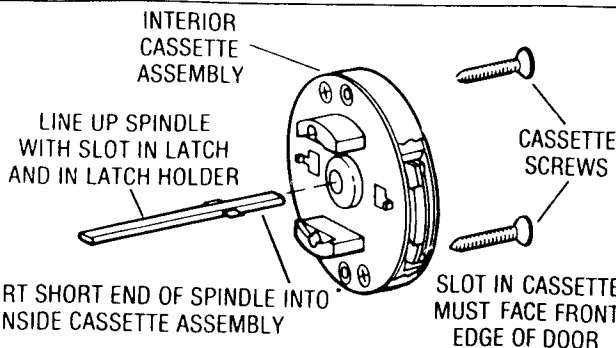
Install the Front Plate with 2 screws.

Screws must be on vertical line in center of door edge

5 Secure Exterior Cassette

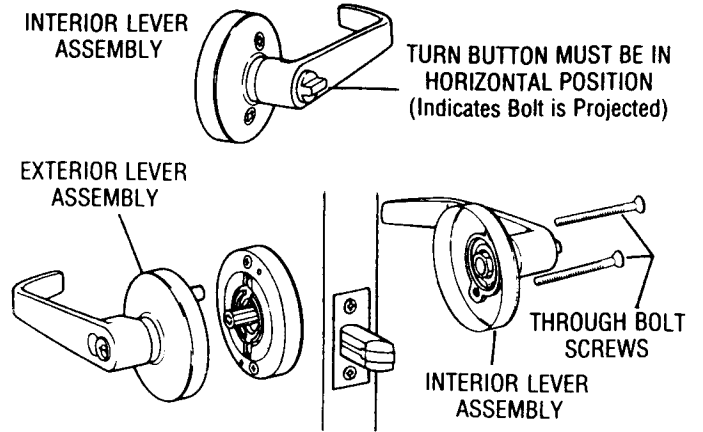


6 Install Interior Cassette



SECURE INTERIOR CASSETTE ASSEMBLY WITH CASSETTE SCREWS. "SCREWS MUST BE ON A VERTICAL LINE."

7 Install Interior & Exterior Lever

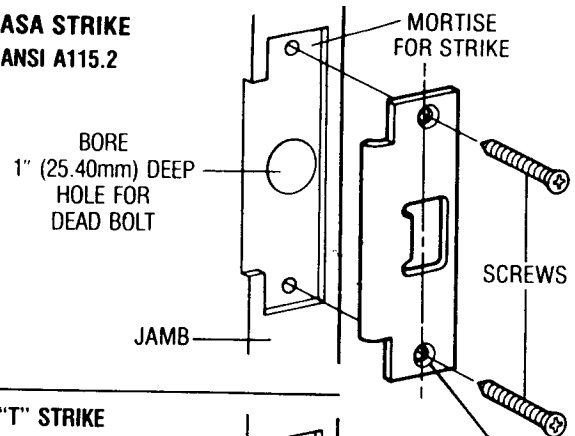


- STEP 1. Press the Exterior Lever Assembly onto Exterior Cassette Assembly, assuring proper fit.
- STEP 2. Press the Interior Lever Assembly onto Interior Cassette Assembly, assuring proper fit.
- STEP 3. Secure Interior Lever Assembly using two through bolt screws as shown above.

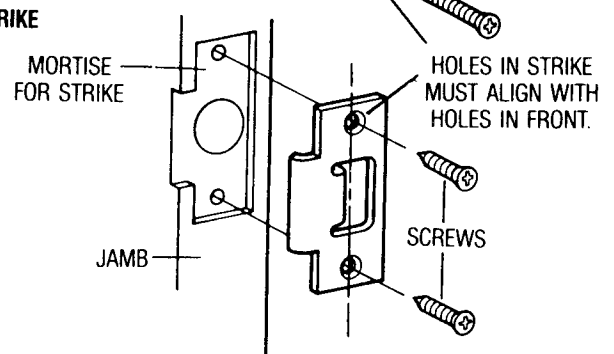
8 Locate & Install Strike

Bore a 1" (25.4 mm) diameter hole 1" (25.4 mm) deep for the deadbolt as shown below. Mortise for strike and wrought box if required. The center line of holes in the front must align with the center line of the holes in the strike (for both the ASA Strike or the "T" Strike).

ASA STRIKE ANSI A115.2



"T" STRIKE



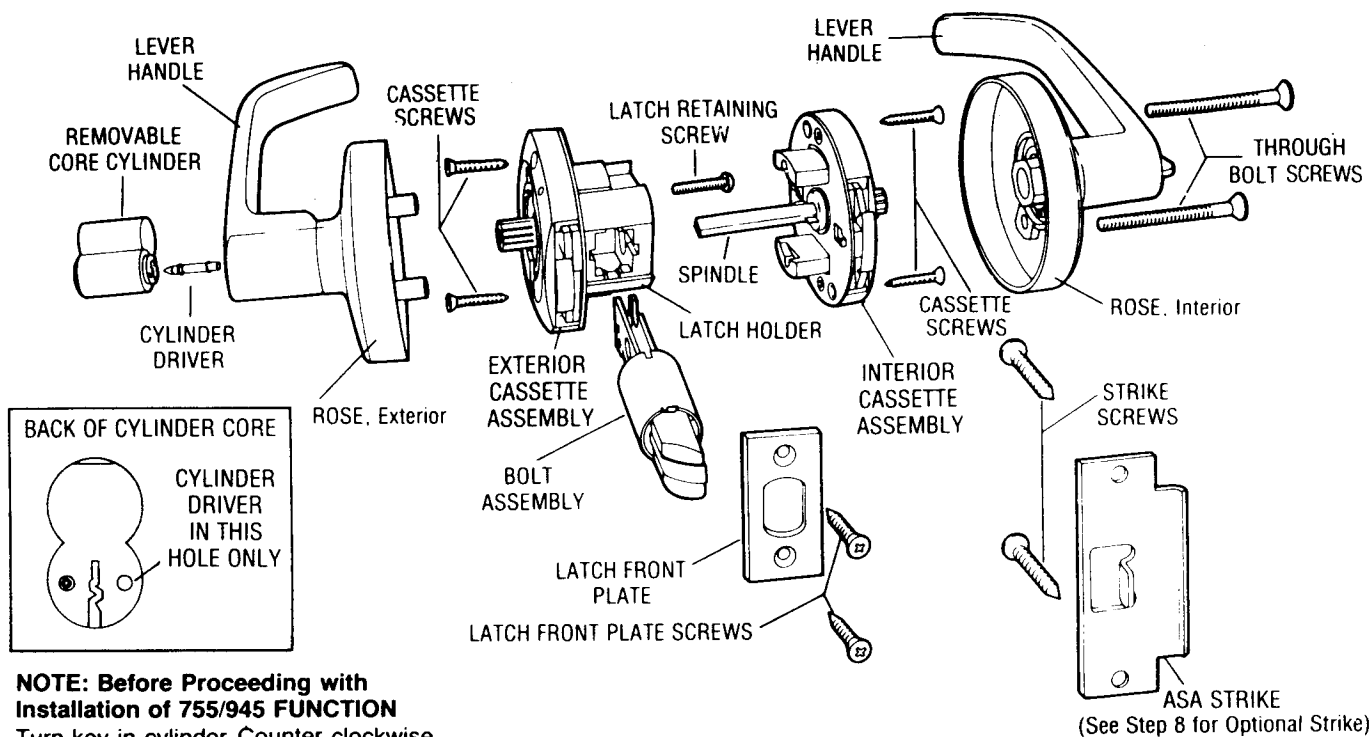
9 Test For Proper Operation

Check each lock to assure it operates properly.

SECURITY BOLT LOCKSET

Series: 755/945 Function Only

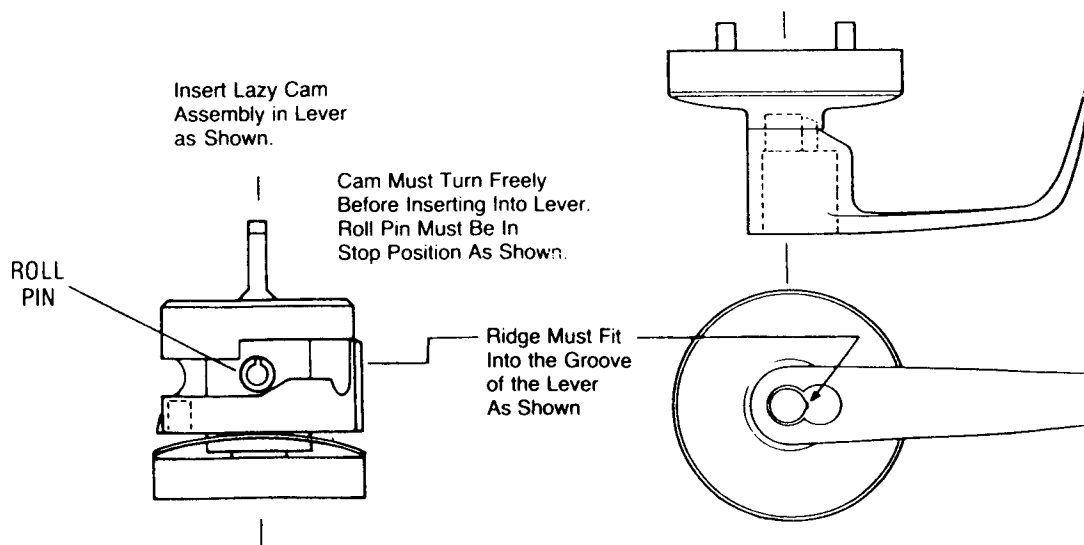
INSTALLATION INSTRUCTIONS



NOTE: Before Proceeding with Installation of 755/945 FUNCTION
Turn key in cylinder Counter clockwise to locked position, then remove key.

Lazy Cam Assembly

The Lazy Cam must be installed when the lockset is ordered less cylinder or when the cylinder is changed.



TO COMPLETE INSTALLATION START WITH STEP 1 THROUGH 9.

OPTIONAL STRIKES

Two Optional Strikes are available to handle non standard door and frame conditions:

The first is for doors and frames not initially prepped for weatherstripping but have had weatherstripping added. For an ASA Strike with a 1¼" (31.75 mm) lip order part number 557L31. For a "T" Strike with a 1¼" (31.75 mm) lip order part number 557L37. For other lip lengths consult your catalog.

The second Optional Strike is for doors and frames initially prepped for silencers, which do not have silencers. For an ASA Strike with a 1¼" (31.75 mm) lip order part number 557L30. For a "T" Strike with a 1¼" (31.75 mm) lip order part number 557L36. For other lip lengths consult your catalog.



In U.S.:
Corbin Russwin, Inc.
225 Episcopal Road
Berlin, CT 06037 USA
Phone: 860-225-7411 Fax: 860-828-7266

In Canada:
Yale-Corbin Canada LTD.
3160 Orlando Drive
Mississauga, Ontario, Canada L4V1R5
Phone: 905-672-6220 Fax: 905-672-9022

FORM FM59D

Rev. 12/98

Copyright 1989