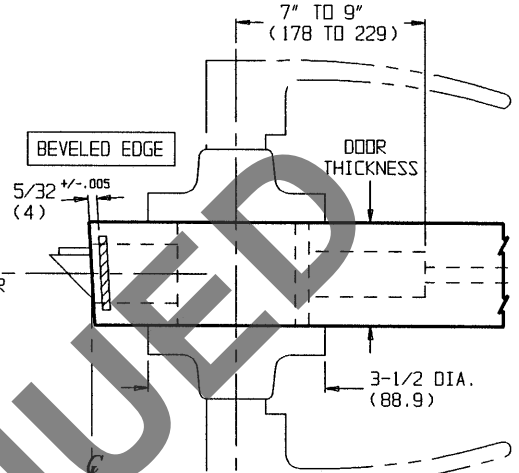
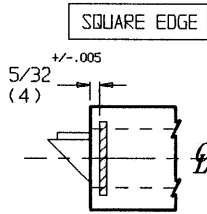


- NOTES:
1. BACKSET IS MEASURED FROM CENTERLINE OF BEVEL WHICH IS CENTERPOINT OF DOOR THICKNESS.
 2. DIMENSIONS GIVEN IN INCHES AND (MM).
 3. 1-1/4" STRIKE LIP SUITS FRAME FOR 1-3/4" THICK DOOR. LIP WILL VARY FOR OTHER DOOR THICKNESS.
 4. DOOR PREP WILL VARY FOR 3/4" LATCH ASSEMBLY. REFER TO TEMPLATE T30528 FOR DETAILS.

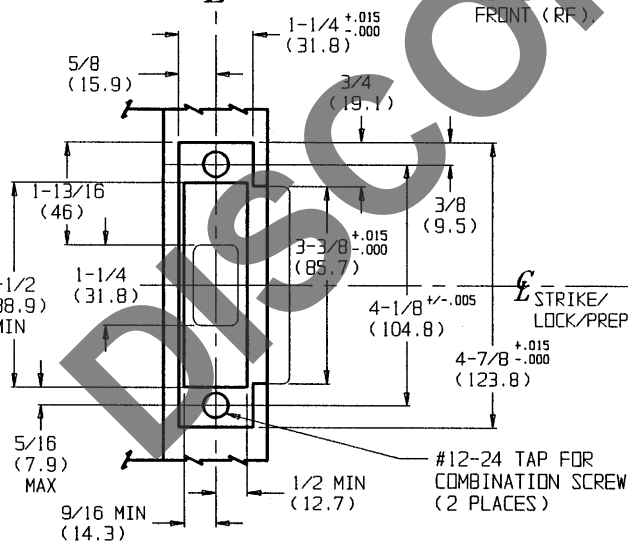
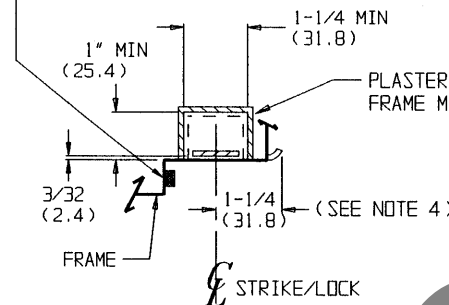
TEMPLATE CROSS REFERENCE

DESCRIPTION	TEMPLATE
586L19 OPTIONAL STRIKE	T30476
M16 3/4" LATCH	T30528
601F28 RABBETED FRONT & STRIKE	T30640



CAUTION: DOOR AND FRAME MANUFACTURERS

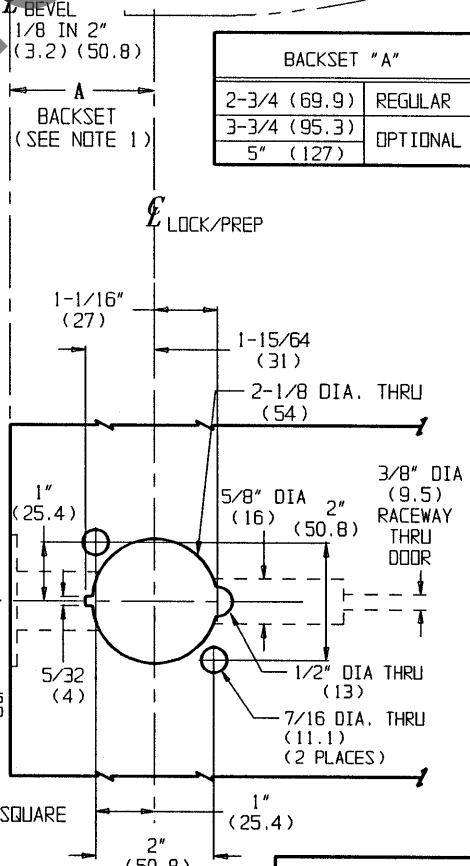
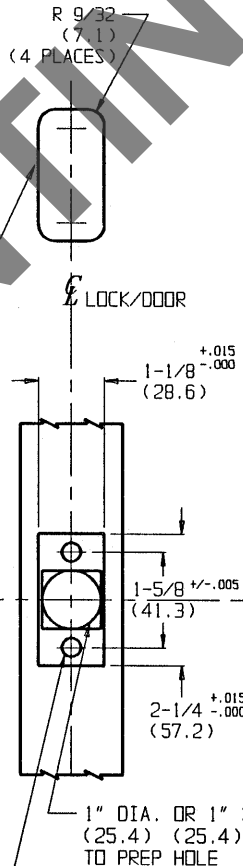
WHEN DOOR GASKETING OR SILENCERS ARE USED, PROPER ALLOWANCES MUST BE MADE FOR STRIKE LOCATION TO MAINTAIN A COMMON CENTERLINE WITH LOCK AND DOOR AS SHOWN SO THAT BOLT WILL FREELY ENTER STRIKE.



FRAME DETAIL
ANSI STRIKE 217L13
AND BOX 120F76
(REGULARLY FURNISHED)

#12-24 TAP FOR COMBINATION SCREW (2 PLACES)

#8-32 TAP FOR COMBINATION SCREW (2 PLACES)



BACKSET "A"

2-3/4 (69.9)	REGULAR
3-3/4 (95.3)	OPTIONAL
5" (127)	

TOLERANCES

INCHES	(MM)
.005	(.127)
.015	(.381)

RESPONSIBILITY

Door and Frame Manufacturers are responsible for providing adequate construction or reinforcements for proper installation of hardware shown. All architectural builders hardware must be installed on properly reinforced doors and frames, regardless of the type, material, or method of construction.

CL34903 Series
CL34905 Series

ELECTRICALLY CONTROLLED
CYLINDRICAL LEVER LOCKSET

Corbin Russwin™

DO NOT SCALE DRAWING

SUPERSEDES _____ OR. OLD APP.

DATE 1-98 TEMPLATE NUMBER T30658