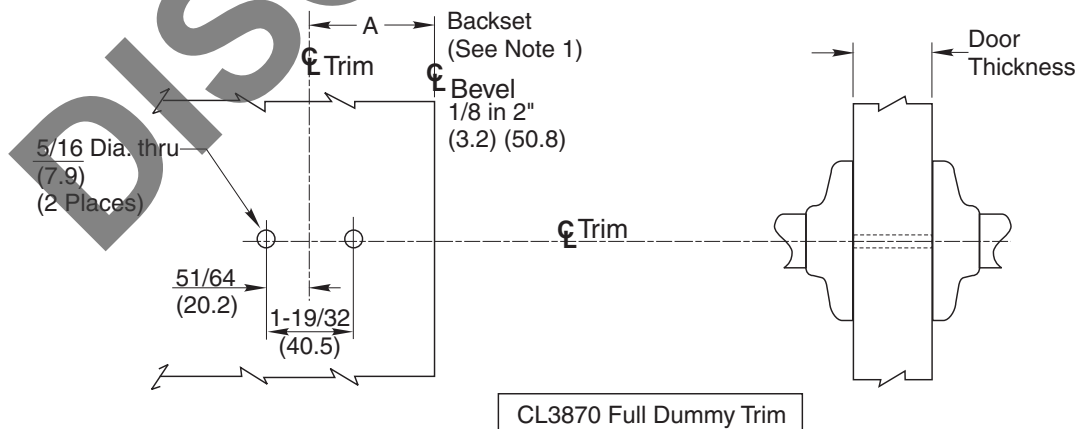
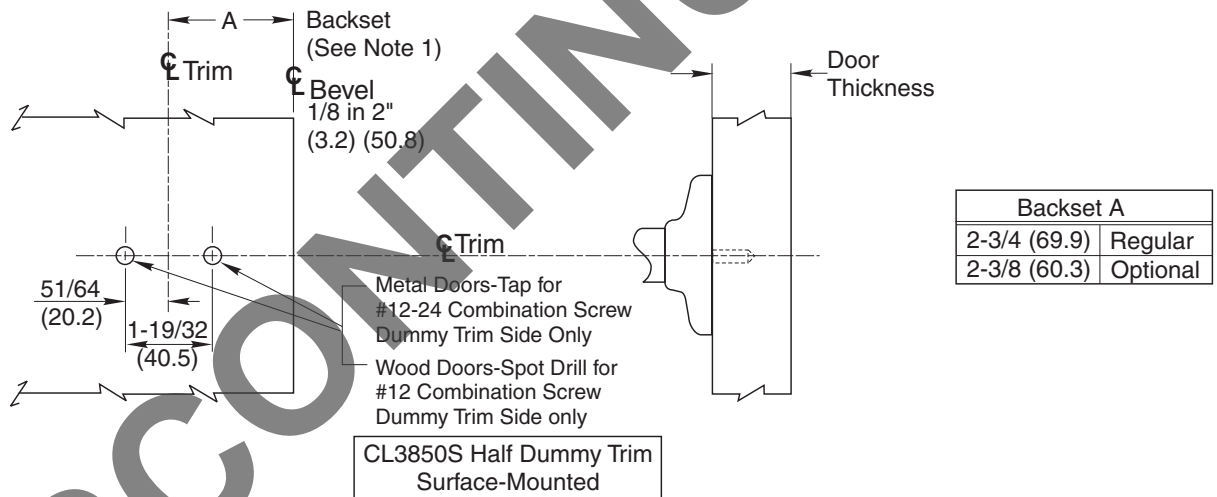
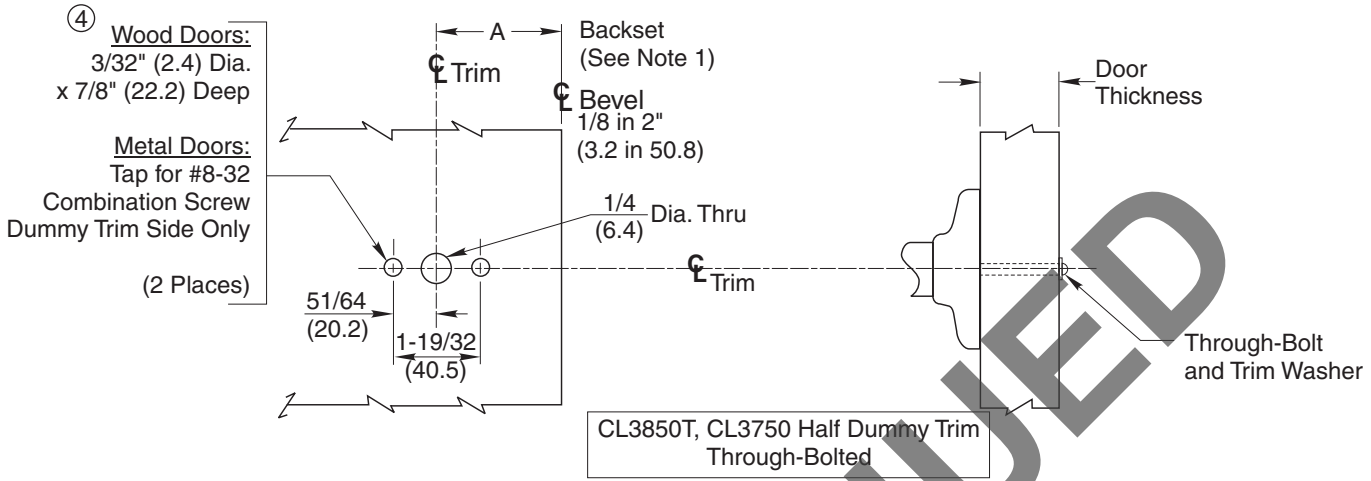


Notes:

1. Backset is measured from centerline of bevel which is centerpoint of door thickness.
2. Dimensions given in inches and (mm).

| Template Cross Reference             |          |
|--------------------------------------|----------|
| Description                          | Template |
| CL3800 Series Cylindrical Lever Lock | T30560-2 |
| CL3700 Series Tubular Lever Lock     | T30686   |



RESPONSIBILITY

Door and Frame Manufacturers are responsible for providing adequate construction or reinforcements for proper installation of hardware shown. All architectural builders hardware must be installed on properly reinforced doors and frames, regardless of the type, material, or method of construction.

**CL3850S**  
**CL3850T, CL3750**  
**CL3870**  
Dummy Trim



**ASSA ABLOY**

www.corbinrusswin.com

SUPERSEDES T30634-3 DO NOT SCALE DRAWING

TEMPLATE NUMBER T30634-4 DATE 04-08