

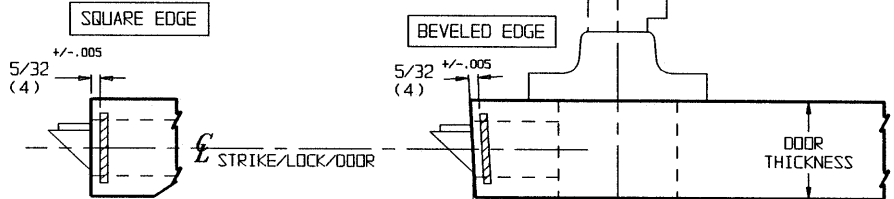
**NOTES:**

- BACKSET IS MEASURED FROM CENTERLINE OF BEVEL WHICH IS CENTERPOINT OF DOOR THICKNESS.
- DOOR PREP WITH 2-3/4" (69.9) BACKSET MEETS ANSI STANDARDS A115.2 FOR STEEL DOORS AND A115.W2 FOR WOOD DOORS.
- DIMENSIONS GIVEN IN INCHES AND (MM).
- 1-1/4" STRIKE LIP SUITS FRAME FOR 1-3/4" THICK DOOR. LIP WILL VARY FOR OTHER DOOR THICKNESSES.

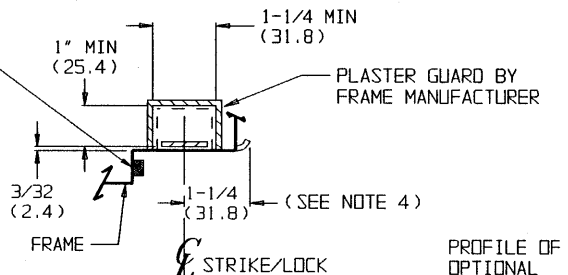
**TEMPLATE CROSS REFERENCE**

DESCRIPTION	TEMPLATE
CL3850 & CL3870 DUMMY TRIM	T30634
586L19 OPTIONAL STRIKE	T30476
607F76 FULL LIP STRIKE (SF118)	T30648

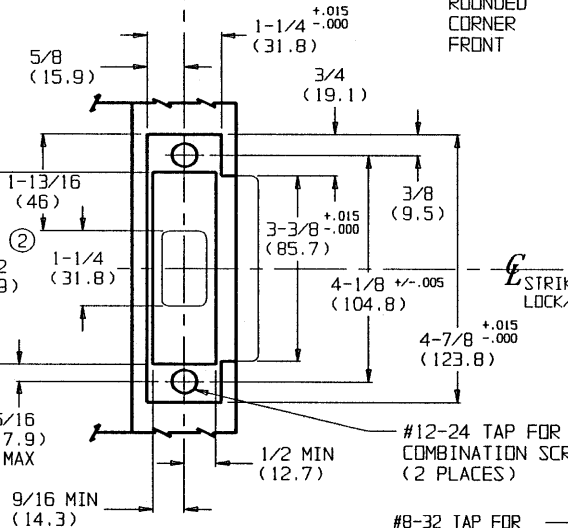
FRONT WIDTH B	
1-1/8 (28.6)	REGULAR
1" (25.4)	OPTIONAL



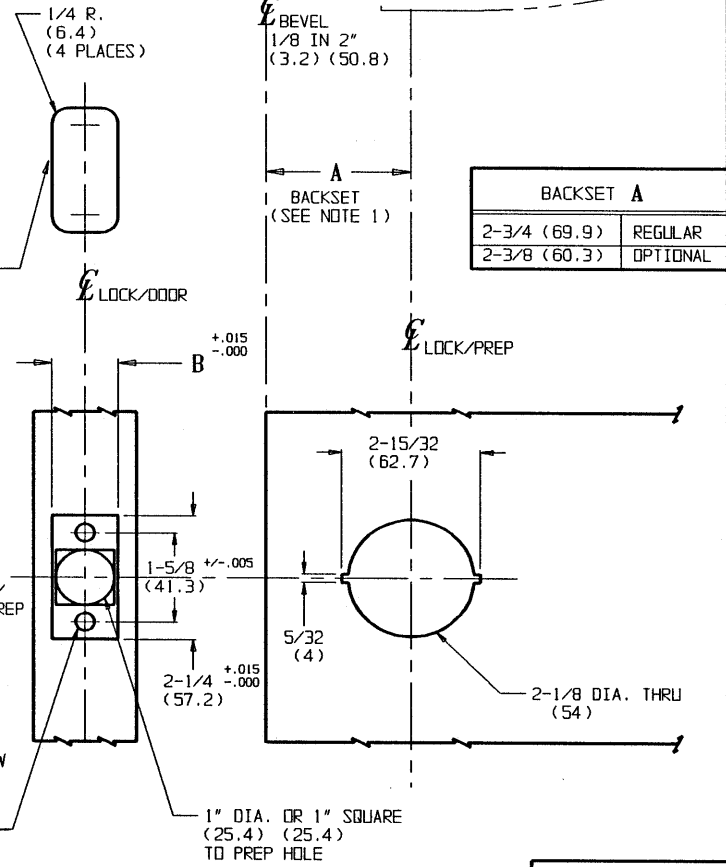
**CAUTION: DOOR AND FRAME MANUFACTURERS**  
 WHEN DOOR GASKETING OR SILENCERS ARE USED, PROPER ALLOWANCES MUST BE MADE FOR STRIKE LOCATION TO MAINTAIN A COMMON CENTERLINE WITH LOCK AND DOOR AS SHOWN SO THAT BOLT WILL FREELY ENTER STRIKE.



BACKSET A	
2-3/4 (69.9)	REGULAR
2-3/8 (60.3)	OPTIONAL



**FRAME DETAIL**  
 ANSI STRIKE 217L13 (REGULARLY FURNISHED)  
 BOX 120F76 (OPTIONAL)



**DOOR DETAIL**

TOLERANCES	
INCHES	(MM)
.005	(.127)
.015	(.381)

**RESPONSIBILITY**

Door and Frame Manufacturers are responsible for providing adequate construction or reinforcements for proper installation of hardware shown. All architectural builders hardware must be installed on properly reinforced doors and frames, regardless of the type, material, or method of construction.

**CL3800 Series  
 1993-1997  
 CYLINDRICAL LEVER LOCKSET**

ALL FUNCTIONS AND TRIMS EXCEPT DUMMY TRIM

**Corbin  
 Russwin**  
 www.corbinrusswin.com™

DO NOT SCALE DRAWING

SUPERSEDES	T30560-2	OR.	DLO	APP.	<i>[Signature]</i>
DATE	1-07	TEMPLATE NUMBER	T30560-3		