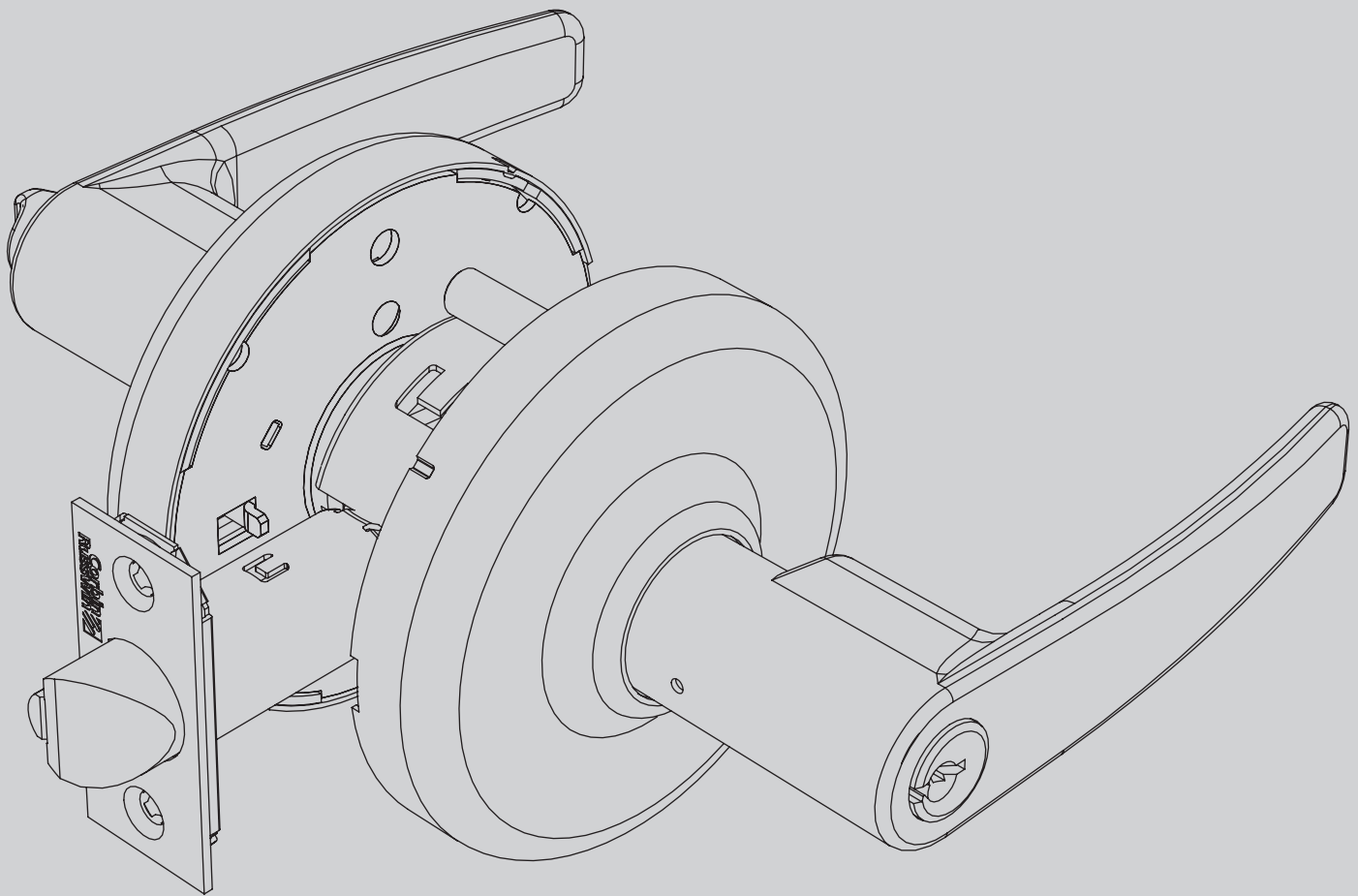


CL3800 Series

Cylindrical Lockset Parts Manual



Mechanical Drawing 3
 Lockbodies & Buttons 4
 Spring Housing Assemblies 5
 Roses/Liners and Misc 6
 Latches 7
 Strikes 8
 Cylinders 9-10
 Levers 11

Templating and Installation

For door templates and installation instructions, please refer to our website at www.corbinruswin.com.

How to Order Parts

1. In order to simplify the ordering procedure and maintain regulatory compliance, parts are only available as listed
2. To order parts, provide the appropriate quantity, part number, finish, hand (when required) and description as directed and illustrated below.

For example, use the following configuration to order:

- A) ten lockbodies in satin chrome
- B) one outside spring housing assembly

	Quantity	Part Number	Finish	Hand	Description
A	10	797F618	626	—	Passage Function Lockbody
B	1	796F378	N/A	—	Outside Spring Housing Assembly

For assistance, contact your authorized Corbin Russwin distributor, sales agency or visit our website at www.corbinruswin.com.

Finishes

ANSI/BHMA Code	Finish Description
605	Bright Brass, Clear Coated
606	Satin Brass, Clear Coated
611	Bright Bronze, Clear Coated
612	Satin Bronze, Clear Coated
613	Dark Oxidized Satin Bronze, Oil Rubbed
613E	Dark Oxidized Satin Bronze, Equivalent
613L	Dark Oxidized Satin Bronze, Clear Coated
618	Bright Nickel, Clear Coated
619	Satin Nickel Plated, Clear Coated
619C	Satin Nickel Plated with MicroShield®
625	Bright Chrome Plated
626	Satin Chrome Plated
626C	Satin Chrome Plated with MicroShield®
722	Black Oxidized Satin Bronze, Oil Rubbed
BSP	Black Suede Powder Coat
WSP	White Suede Powder Coat

Lock Finish	Cylinder/Core*
605, 606, 611, 612, 613, 613E, 613L, 722	606
618, 619, 625, 626, WSP	626
BSP	BSP

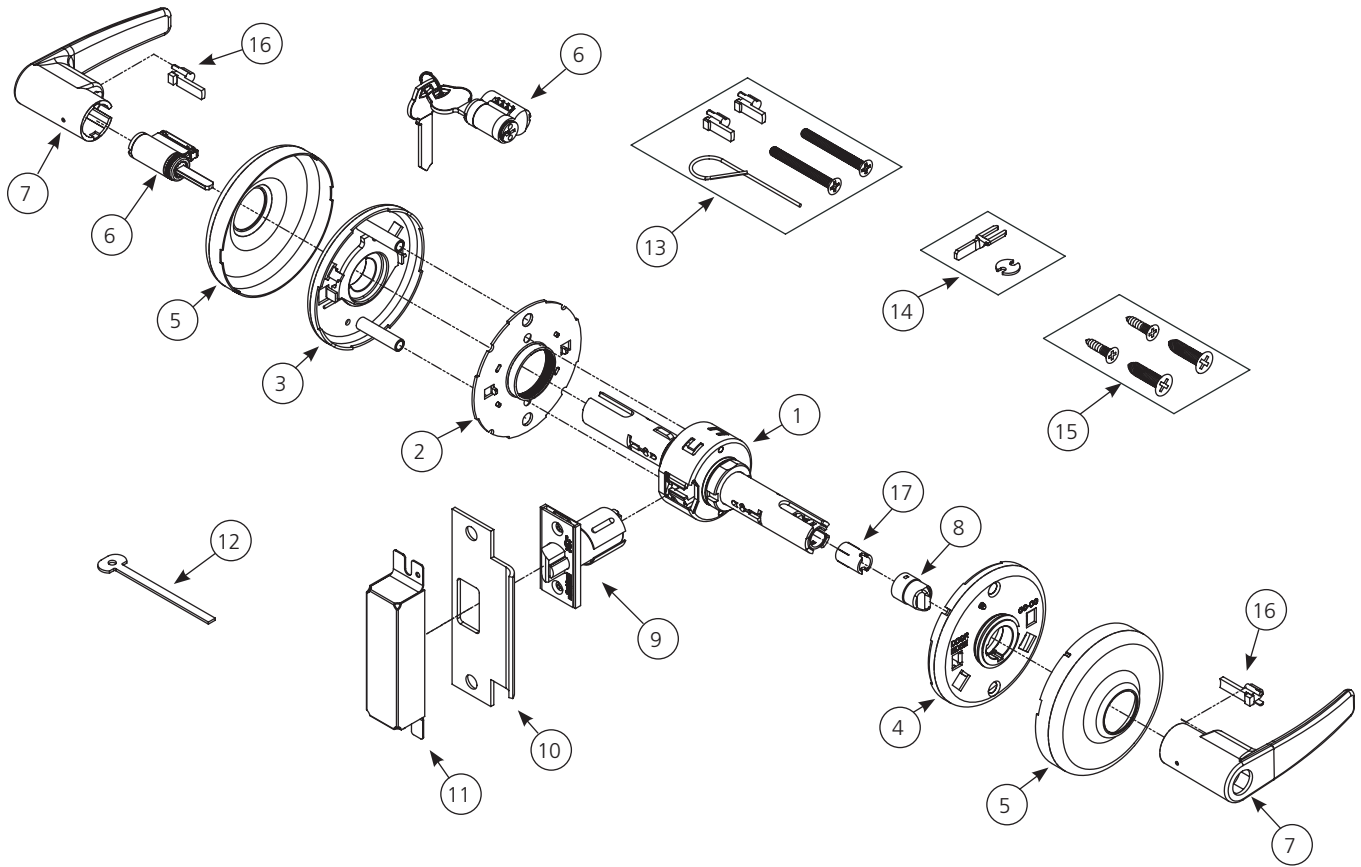
*Finish when cylinder provided with lock



Experience a safer and more open world

The warranty on Corbin Russwin products becomes void if the product is modified in any way, regardless of whether the modifications causes or contributes to any alleged defect. If a Corbin Russwin product is modified it may no longer meet industry certification and quality control standards applicable to the original product and is no longer a genuine Corbin Russwin product.

Copyright © 2021, ASSA ABLOY Access and Egress Hardware Group, Inc. All rights reserved. Reproduction in whole or in part without the express written permission of ASSA ABLOY Access and Egress Hardware Group, Inc. is prohibited. Patent pending and/or patent www.assaabloydss.com/patents.



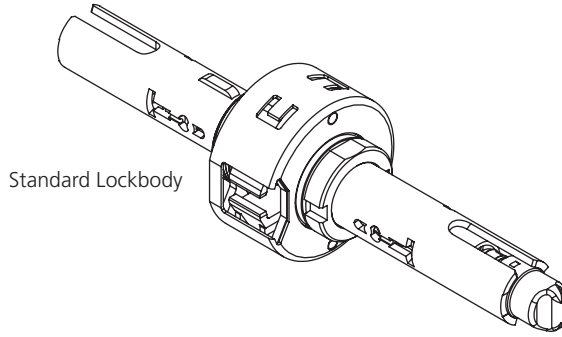
Item	Description	Page #
1	Lockbody	4
2	Rose Liner	6
3	Spring Housing Assembly, Outside	5
4	Spring Housing Assembly, Inside	5
5	Rose	6
6	Cylinder/Core	9-10
7	Lever	11
8	Button	4
9	Latch	7
10	Strike	8
11	Strike Box	8
12	Emergency Release Tool (CL3820 only)	6
13	Thru Bolt and Retainer Mounting Pack	6
14	Tailpiece Packet (optional cylinders only)	9-10
15	Latch/Strike Screw Pack	6
16	Lever Insert	6
17	Button Support Insert	4

The warranty on Corbin Russwin products becomes void if the product is modified in any way, regardless of whether the modifications causes or contributes to any alleged defect. If a Corbin Russwin product is modified it may no longer meet industry certification and quality control standards applicable to the original product and is no longer a genuine Corbin Russwin product.

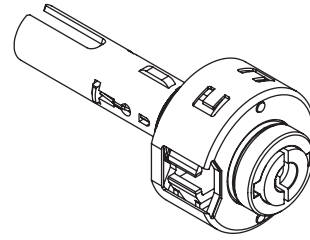
Copyright © 2021, ASSA ABLOY Access and Egress Hardware Group, Inc. All rights reserved. Reproduction in whole or in part without the express written permission of ASSA ABLOY Access and Egress Hardware Group, Inc. is prohibited. Patent pending and/or patent www.assaabloydss.com/patents.



Experience a safer and more open world



Standard Lockbody



Half Trim Lockbody
(e.g. CL3880)

Lockbody - Lever Release™ Design

Part #	LFIC Part #	Function	Description
797F618	N/A	CL3810	Passage or Closet
797F628	N/A	CL3820	Privacy, Bedroom or Bathroom
797F668	797F678	CL3851	Entry or Office
797F688	797F698	CL3855	Classroom
797F668	797F678	CL3857	Storeroom or Closet
797F628	797F638	CL3861	Entry or Office
797F658	N/A	CL3880	Passage x Blank
N/A	N/A	CL3850	Half Dummy
N/A	N/A	CL3870	Full Dummy

Buttons

Part #	Function/Description
585F76 Fin*	Turnbutton not including Button Support Insert (CL3851)
585F77 Fin*	Pushbutton not including Button Support Insert (CL3820, CL3861)
716F929	Button Support Insert (must be used when replacing buttons)

Note: Lockbodies available as complete units only. Parts internal to the lockbody are not available separately.

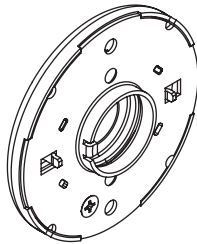
* Specify Finish



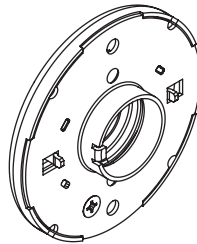
Experience a safer and more open world

The warranty on Corbin Russwin products becomes void if the product is modified in any way, regardless of whether the modifications causes or contributes to any alleged defect. If a Corbin Russwin product is modified it may no longer meet industry certification and quality control standards applicable to the original product and is no longer a genuine Corbin Russwin product.

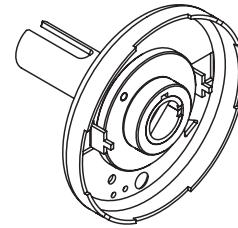
Copyright © 2021, ASSA ABLOY Access and Egress Hardware Group, Inc. All rights reserved. Reproduction in whole or in part without the express written permission of ASSA ABLOY Access and Egress Hardware Group, Inc. is prohibited. Patent pending and/or patent www.assaabloydss.com/patents.



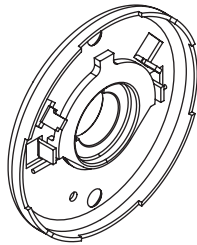
Part No. 796F398
Spring Housing Assembly, Inside
(1-3/8" - 1-7/8" Door)
All functions except CL3850, CL3870 and CL3880



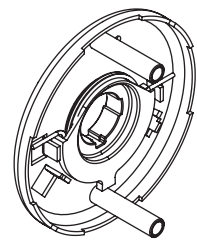
Part No. 797F808
Spring Housing Assembly, Inside
(over 2" - 2-1/4" doors)
All functions



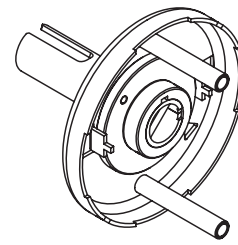
Part No. 686F868
Dummy Housing Assembly, Inside CL3870



Part No. 796F408
Communicating Spring Housing Assembly,
Inside CL3880



Part No. 796F378
Spring Housing Assembly, Outside
All functions except CL3850, CL3870
and CL3880



Part No. 686F858
Dummy Housing Assembly, Outside
CL3870, and CL3850

Outside Spring Housing Assemblies

Part #	Description
Inside	
796F378	All Functions except CL3880, CL3850, CL3870

Inside Spring Housing Assemblies

Part #	Description
Inside	
796F398	All Functions 1-3/8" - 1-7/8" Door except CL3880, CL3850, CL3870
797F808	All Functions 2" - 2-1/4" Door
796F408	CL3880

Dummy Spring Housing Assemblies

Part #	Description
Inside	
686F858	Outside CL3850, CL3870
686F868	Inside CL3870

The warranty on Corbin Russwin products becomes void if the product is modified in any way, regardless of whether the modifications causes or contributes to any alleged defect. If a Corbin Russwin product is modified it may no longer meet industry certification and quality control standards applicable to the original product and is no longer a genuine Corbin Russwin product.

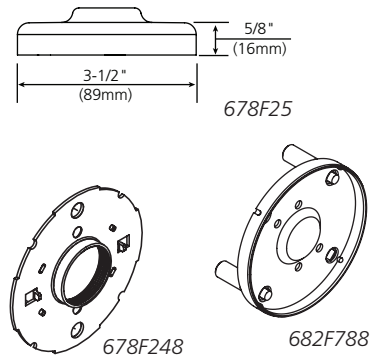
Copyright © 2021, ASSA ABLOY Access and Egress Hardware Group, Inc. All rights reserved. Reproduction in whole or in part without the express written permission of ASSA ABLOY Access and Egress Hardware Group, Inc. is prohibited. Patent pending and/or patent www.assaabloydss.com/patents.



Experience a safer
and more open world

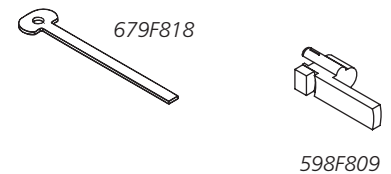
Roses/Liners

Part No.	Description
678F25 Fin*	Rose
598F59 Fin*	Blank Rose
678F248	Rose Liner Outside 1-3/8" - 1-7/8"
678F498	Rose Liner Outside Over 2"
682F788	Rose Liner Assembly Outside CL3880



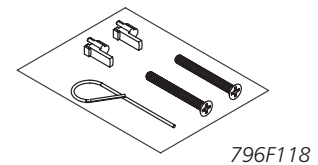
Miscellaneous

Part No.	Description
679F818	Emergency Release Tool (CL3820)
598F809	Lever Insert 1-3/8" - 1-7/8" Doors
684F539	Lever Insert Over 2" up to 2-1/4" Doors



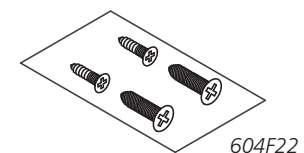
Mounting Screw packs

Part No.	Description
796F118	1-3/8" - 1-7/8" Doors
797F818	Over 2" up to 2-1/4" Doors
797F828	CL3880, 1-3/8" - 1-7/8" Doors
797F838	CL3880, Over 2" Doors
684F44 Fin*	CL3850 Half Dummy Trim - Phillips Head
684F45 Fin*	CL3850 Half Dummy Trim - Spanner Head
684F46 Fin*	CL3850 Half Dummy Trim - Torx Head
684F52 Fin*	CL3870 Full Dummy Trim



Latch and Strike Screw Packs

Part No.	Description
604F22 Fin*	Latch & ANSI Strike (4-7/8") - Phillips Head
604F23 Fin*	Latch & ANSI Strike (4-7/8") - Spanner Head
604F24 Fin*	Latch & ANSI Strike (4-7/8") - Torx Head
604F26 Fin*	Latch & T-Strike (2-3/4") - Phillips Head
604F27 Fin*	Latch & T-Strike (2-3/4") - Spanner Head
604F28 Fin*	Latch & T-Strike (2-3/4") - Torx Head



* Specify Finish



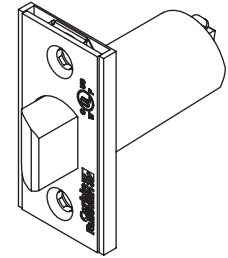
Experience a safer and more open world

The warranty on Corbin Russwin products becomes void if the product is modified in any way, regardless of whether the modifications causes or contributes to any alleged defect. If a Corbin Russwin product is modified it may no longer meet industry certification and quality control standards applicable to the original product and is no longer a genuine Corbin Russwin product.

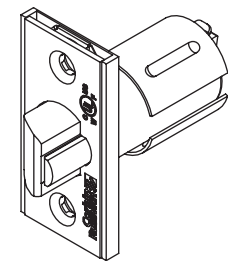
Copyright © 2021, ASSA ABLOY Access and Egress Hardware Group, Inc. All rights reserved. Reproduction in whole or in part without the express written permission of ASSA ABLOY Access and Egress Hardware Group, Inc. is prohibited. Patent pending and/or patent www.assaabloydss.com/patents.

Plain Latch - CL3810

Part No.	Front	Front Width	Backset
599F91 Fin*	Square Corner	1" (25mm)	2-3/8" (60mm)
599F94 Fin*	Rounded Corner	1" (25mm)	2-3/8" (60mm)
599F97 Fin*	Square Corner	1-1/8" (29mm)	2-3/8" (60mm)
600F00 Fin*	Rounded Corner	1-1/8" (29mm)	2-3/8" (60mm)
600F03 Fin*	Square Corner	1" (25mm)	2-3/4" (70mm)
600F06 Fin*	Rounded Corner	1" (25mm)	2-3/4" (70mm)
600F09 Fin*	Square Corner	1-1/8" (29mm)	2-3/4" (70mm)
600F12 Fin*	Rounded Corner	1-1/8" (29mm)	2-3/4" (70mm)
600F62 Fin*	Square Corner	1-1/8" (29mm)	3-3/4" (95mm)
600F65 Fin*	Rounded Corner	1-1/8" (29mm)	3-3/4" (95mm)
600F68 Fin*	Square Corner	1-1/8" (29mm)	5" (127mm)
600F71 Fin*	Rounded Corner	1-1/8" (29mm)	5" (127mm)

**Plain****Deadlocking Latch - All Other Functions**

Part No.	Front	Front Width	Backset
599F92 Fin*	Square Corner	1" (25mm)	2-3/8" (60mm)
599F95 Fin*	Rounded Corner	1" (25mm)	2-3/8" (60mm)
599F98 Fin*	Square Corner	1-1/8" (29mm)	2-3/8" (60mm)
600F01 Fin*	Rounded Corner	1-1/8" (29mm)	2-3/8" (60mm)
600F04 Fin*	Square Corner	1" (25mm)	2-3/4" (70mm)
600F07 Fin*	Rounded Corner	1" (25mm)	2-3/4" (70mm)
600F10 Fin*	Square Corner	1-1/8" (29mm)	2-3/4" (70mm)
600F13 Fin*	Rounded Corner	1-1/8" (29mm)	2-3/4" (70mm)
600F63 Fin*	Square Corner	1-1/8" (29mm)	3-3/4" (95mm)
600F66 Fin*	Rounded Corner	1-1/8" (29mm)	3-3/4" (95mm)
600F69 Fin*	Square Corner	1-1/8" (29mm)	5" (127mm)
600F72 Fin*	Rounded Corner	1-1/8" (29mm)	5" (127mm)

**Deadlocking****Deadlocking Latch with Throw-Off - CL3820**

Part No.	Front	Front Width	Backset
599F93 Fin*	Square Corner	1" (25mm)	2-3/8" (60mm)
599F96 Fin*	Rounded Corner	1" (25mm)	2-3/8" (60mm)
599F99 Fin*	Square Corner	1-1/8" (29mm)	2-3/8" (60mm)
600F02 Fin*	Rounded Corner	1-1/8" (29mm)	2-3/8" (60mm)
600F05 Fin*	Square Corner	1" (25mm)	2-3/4" (70mm)
600F08 Fin*	Rounded Corner	1" (25mm)	2-3/4" (70mm)
600F11 Fin*	Square Corner	1-1/8" (29mm)	2-3/4" (70mm)
600F14 Fin*	Rounded Corner	1-1/8" (29mm)	2-3/4" (70mm)
600F64 Fin*	Square Corner	1-1/8" (29mm)	3-3/4" (95mm)
600F67 Fin*	Rounded Corner	1-1/8" (29mm)	3-3/4" (95mm)
600F70 Fin*	Square Corner	1-1/8" (29mm)	5" (127mm)
600F73 Fin*	Rounded Corner	1-1/8" (29mm)	5" (127mm)

Miscellaneous

Part No.	Description
721F99 Fin*	1/8" latch sleeve

*Specify Finish

Note: All latches ordered separately include the latch sleeve. When ordering, specify Part No. x Finish (e.g., 600F09 x 626). Screw pack must be ordered separately, see page 6.

The warranty on Corbin Russwin products becomes void if the product is modified in any way, regardless of whether the modifications causes or contributes to any alleged defect. If a Corbin Russwin product is modified it may no longer meet industry certification and quality control standards applicable to the original product and is no longer a genuine Corbin Russwin product.

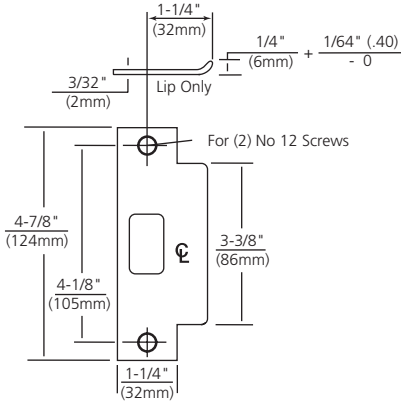
Copyright © 2021, ASSA ABLOY Access and Egress Hardware Group, Inc. All rights reserved. Reproduction in whole or in part without the express written permission of ASSA ABLOY Access and Egress Hardware Group, Inc. is prohibited. Patent pending and/or patent www.assaabloydss.com/patents.

**Corbin
Russwin**
ASSA ABLOY

Experience a safer
and more open world

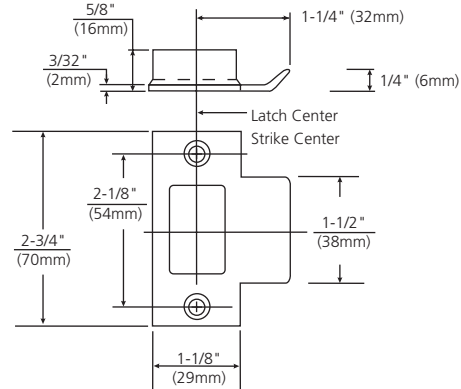
ANSI Curved Lip (standard)

Brass or stainless steel.
 4-7/8" (124mm) x 1-1/4" (32mm) x 1-1/4" (32mm) lip to center.
 Optional lip lengths:
 1" (25mm), 1-1/8" (29mm), 1-3/8" (35mm), 1-1/2" (38mm),
 1-3/4" (44mm), 2" (51mm), 2-1/4" (57mm), 2-1/2" (64mm),
 2-3/4" (70mm), 3" (76mm).
 To order separately, specify Part No. x Finish.



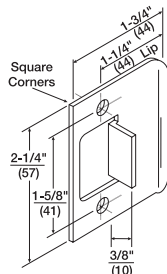
Curved Lip "T" Strike

Brass.
 2-3/4" (70mm) x 1-1/8" (29mm) x 1-1/4" (32mm) lip to center.
 Optional lip lengths: 1" (25mm), 1-1/8" (29mm), 1-3/8" (35mm),
 1-1/2" (38mm), 1-3/4" (44mm), 2" (51mm), 2-1/4" (57mm),
 2-1/2" (64mm), 2-3/4" (70mm), 3" (76mm).
 To order separately, specify Part No. x Finish.



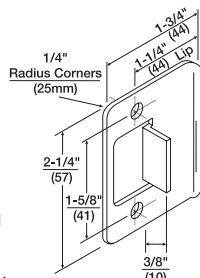
Full Lip Strike

Brass or stainless steel.
 2-1/4" x 1-3/4" x 1-1/4" lip to center.
 No optional lip lengths.
 To order separately specify 680L50M020 x Finish.
 Anti-rattle tab.



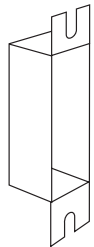
Full Lip Strike - 1/4" Radius Corners

Brass or stainless steel.
 Similar in dimension and function to L50 strike (above but with radius corners for easy mortising by power tools).
 To order separately specify 680L51M020 x Finish.
 Anti-rattle tab.



ANSI Wrought Strike Box

Used with ANSI 4-7/8" (124mm) strike.
 To order with lockset, specify Quick Code M17.
 To order separately, specify 120F768.



Strikes - 4-7/8" ANSI Curved Lip

Part No.	Description
217L13M016 Fin*	1" Lip Length
217L13M018 Fin*	1-1/8" Lip Length
217L13M020 Fin*	1-1/4" Lip Length
217L13M022 Fin*	1-3/8" Lip Length
217L13M024 Fin*	1-1/2" Lip Length
217L13M028 Fin*	1-3/4" Lip Length
217L13M032 Fin*	2" Lip Length
217L13M036 Fin*	2-1/4" Lip Length
217L13M040 Fin*	2-1/2" Lip Length
217L13M044 Fin*	2-3/4" Lip Length
217L13M048 Fin*	3" Lip Length

Strikes - 2-3/4" T- Curved Lip

Part No.	Description
586L19M016 Fin*	1" Lip Length
586L19M018 Fin*	1-1/8" Lip Length
586L19M020 Fin*	1-1/4" Lip Length
586L19M022 Fin*	1-3/8" Lip Length
586L19M024 Fin*	1-1/2" Lip Length
586L19M028 Fin*	1-3/4" Lip Length
586L19M032 Fin*	2" Lip Length
586L19M036 Fin*	2-1/4" Lip Length
586L19M040 Fin*	2-1/2" Lip Length
586L19M044 Fin*	2-3/4" Lip Length
586L19M048 Fin*	3" Lip Length

Strike - 2-1/4" Full Lip

Part No.	Description
680L50M020 Fin*	Square Corners
680L51M020 Fin*	1/4" Radius Corners

Strike Box

Part No.	Description
120F768	4-7/8" ANSI strike box

Screw pack must be ordered separately, see page 6.
 *Specify finish

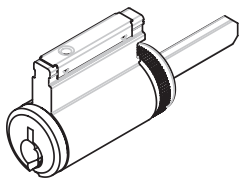
The warranty on Corbin Russwin products becomes void if the product is modified in any way, regardless of whether the modifications causes or contributes to any alleged defect. If a Corbin Russwin product is modified it may no longer meet industry certification and quality control standards applicable to the original product and is no longer a genuine Corbin Russwin product.

Copyright © 2021, ASSA ABLOY Access and Egress Hardware Group, Inc. All rights reserved. Reproduction in whole or in part without the express written permission of ASSA ABLOY Access and Egress Hardware Group, Inc. is prohibited. Patent pending and/or patent www.assaabloydss.com/patents.



Experience a safer and more open world

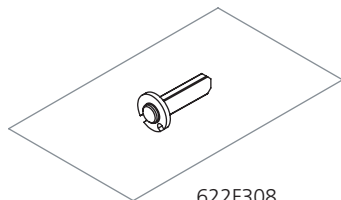
Fixed Core Cylinders



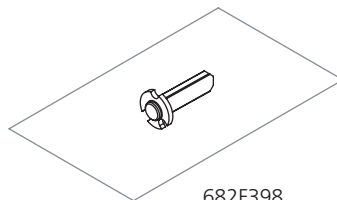
Access 3® - .510" plug diameter
 Pyramid - .496" plug diameter
 Conventional - .509" plug diameter
 Security - .552" plug diameter
 Brass, 6- or 7-pin
 2 nickel silver keys
 Finishes: 606, 626, BSP*

Description	Cylinder	Tailpiece Pack
Conventional 6-Pin	CR2000-033 (Std.)	622F308
Conventional 7-Pin	CR2000-033-7	682F298
Security	CR2010-033	622F308
Access 3® - AP Type	CR2500-033	
Access 3® - AS Type	CR2600-033	
Access 3® - AHS Type	CR2700-033	
Pyramid Security	CR2027-033	
Pyramid High Security	CR2020-033	682F398
Schlage® C Keyway (0-Bitted)	CR2400-033-C	
Schlage® C Keyway (Keyed Random)	CR2400-033-C-KR	
SARGENT® LA Keyway (0-Bitted)	CR2400-033-LA	

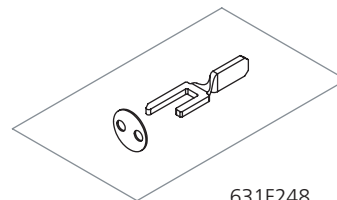
*CR2400 not available in BSP



622F308

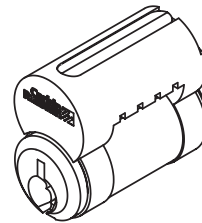


682F398



631F248

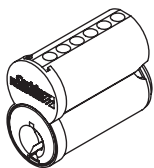
Large Format Interchangeable Core



Access 3® - .510" plug diameter
 Pyramid - .496" plug diameter
 Conventional - .509" plug diameter
 Security - .552" plug diameter
 Brass, 6- or 7-pin
 2 nickel silver keys
 Finishes: 606, 626, BSP

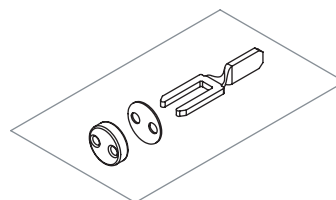
Description	Core	Tailpiece Pack
Conventional 6-Pin	CR8000	631F248
Conventional 7-Pin	CR8000-7	
Security	CR8010	
Access 3® - AP Type	CR8500	
Access 3® - AS Type	CR8600	
Access 3® - AHS Type	CR8700	
Pyramid Security	CR8027	
Pyramid High Security	CR8020	

Small Format Interchangeable Core



Best® keyways A, B, C, D, E, F, G, H, J,
 K, L, M
 Brass, 6- or 7-pin
 2 nickel silver keys
 Finishes: 606, 626

Description	Core	Tailpiece Pack
6-pin	CR8200	682F958
7-pin	CR8200-7	



The warranty on Corbin Russwin products becomes void if the product is modified in any way, regardless of whether the modifications causes or contributes to any alleged defect. If a Corbin Russwin product is modified it may no longer meet industry certification and quality control standards applicable to the original product and is no longer a genuine Corbin Russwin product.

Copyright © 2021, ASSA ABLOY Access and Egress Hardware Group, Inc. All rights reserved. Reproduction in whole or in part without the express written permission of ASSA ABLOY Access and Egress Hardware Group, Inc. is prohibited. Patent pending and/or patent www.assaabloydss.com/patents.



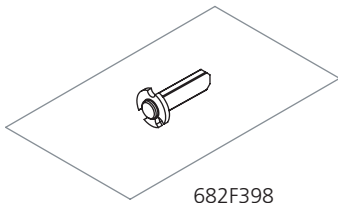
Experience a safer and more open world

Misc. Parts

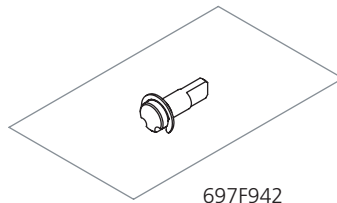
Part #	Description
627F009	Disposable Cores Corbin Russwin LFIC (10pack)
707F299	Disposable Cores SFIC (10 pack)

Compatibility with Competitive Cylinders/Cores

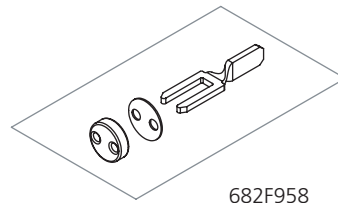
Manufacturer	Cylinder Type	Tailpiece Pack	Option Code with Lock	Description
Fixed Core				
SARGENT®	Fixed Core	682F969	M09	For SARGENT 6 pin cylinders (13-3266). Option code with lock includes special lever and tailpiece.
Schlage®	Fixed Core	682F398	M06	For Schlage 6 pin conventional cylinders (21-002, 23-001 or 23-013) or Schlage Primus cylinders (20-548, 20-550, 20-748 or 20-750). Option code with lock includes tailpiece.
Interchangeable Core				
Schlage®	LFIC	697F942	M69	For Schlage 6 pin large format interchangeable cores. Option code with lock includes special lever and tailpiece.
All	SFIC	682F958	M08	For all SFIC 6 and 7 pin cores. Option code with lock includes special lever and tailpiece.



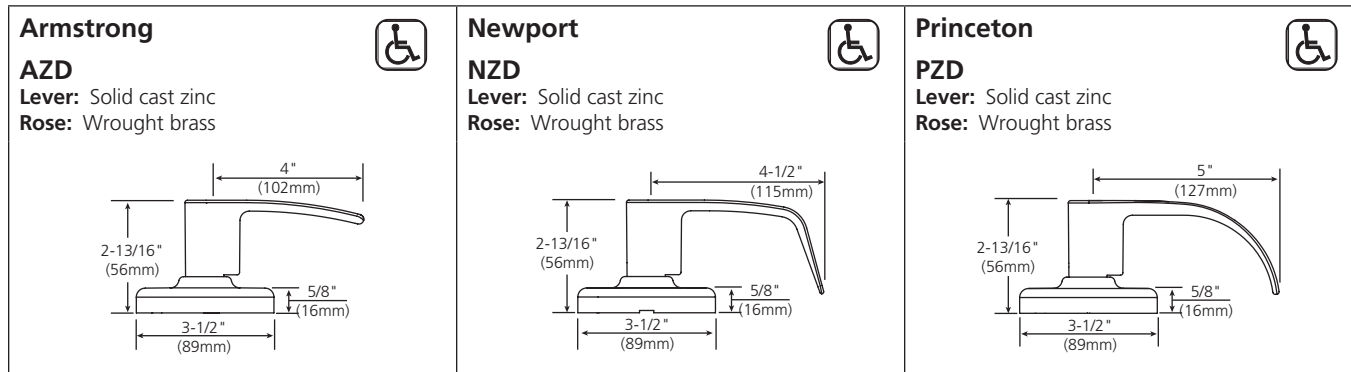
682F398



697F942



682F958



Levers for Doors 1-3/8" - 1-7/8"

Application	Armstrong	Newport	Princeton
Plain	598F81 Fin*	797F84 Fin*	798F11 Fin*
Cylinder or Turn/Push Button	598F82 Fin*	797F85 Fin*	798F12 Fin*
Emergency Key Hole	598F83 Fin*	797F86 Fin*	798F13 Fin*
Corbin Russwin Large Format Interchangeable Core (LFIC) - 6 Pin	598F90 Fin*	797F91 Fin*	798F15 Fin*
Corbin Russwin Large Format Interchangeable Core (LFIC) - 7 Pin	598F27 Fin*	797F92 Fin*	798F16 Fin*
Small Format Interchangeable Core (SFIC) - 6 or 7 Pin	409F90 Fin*	797F94 Fin*	798F18 Fin*
Schlage® Large Format Interchangeable Core (LFIC) - 6 Pin	NA	797F93 Fin*	798F17 Fin*
SARGENT® Fixed Core Cylinder - 6 Pin	NA	797F87 Fin*	798F14 Fin*

Levers for Doors 2" - 2-1/4"

Application	Armstrong	Newport	Princeton
Plain	684F77 Fin*	684F82 Fin*	798F21 Fin*
Cylinder or Turn/Push Button	684F78 Fin*	684F83 Fin*	798F22 Fin*
Emergency Key Hole	684F79 Fin*	684F84 Fin*	798F23 Fin*
Corbin Russwin Large Format Interchangeable Core (LFIC) - 6 Pin	684F80 Fin*	684F86 Fin*	798F25 Fin*
Corbin Russwin Large Format Interchangeable Core (LFIC) - 7 Pin	684F81 Fin*	684F87 Fin*	798F26 Fin*
Small Format Interchangeable Core (SFIC) - 6 or 7 Pin	409F86 Fin*	684F88 Fin*	798F28 Fin*
Schlage® Large Format Interchangeable Core (LFIC) - 6 Pin	NA	684F98 Fin*	798F27 Fin*
SARGENT® Fixed Core Cylinder - 6 Pin	NA	684F85 Fin*	798F24 Fin*

*Specify Finish

The warranty on Corbin Russwin products becomes void if the product is modified in any way, regardless of whether the modifications causes or contributes to any alleged defect. If a Corbin Russwin product is modified it may no longer meet industry certification and quality control standards applicable to the original product and is no longer a genuine Corbin Russwin product.

Copyright © 2021, ASSA ABLOY Access and Egress Hardware Group, Inc. All rights reserved. Reproduction in whole or in part without the express written permission of ASSA ABLOY Access and Egress Hardware Group, Inc. is prohibited. Patent pending and/or patent www.assaabloydss.com/patents.



Experience a safer and more open world

The ASSA ABLOY Group is the global leader in access solutions. Every day, we help billions of people experience a more open world.

ASSA ABLOY Opening Solutions leads the development within door openings and products for access solutions in homes, businesses and institutions. Our offering includes doors, frames, door and window hardware, locks, perimeter fencing, access control and service.



For additional information, contact your
ASSA ABLOY Door Security Solutions
sales consultant or visit www.corbinrusswin.com.

In U.S.

Corbin Russwin
Architectural Hardware
225 Episcopal Road
Berlin, CT 06037
Phone: 800-543-3658
Fax: 800-447-6714
www.corbinrusswin.com

In Canada

ASSA ABLOY Door
Security Solutions Canada
160 Four Valley Drive
Vaughan, Ontario
Canada L4K 4T9
Phone: 800-461-3007
Fax: 800-461-8989
www.assaabloydss.ca