



Standard-Duty Key-In-Lever Locksets

CL3900 Series



DISCONTINUED

# Applications

## Standard-Duty Key-In-Lever Locksets CL3900 Series

### Applications

An economical, Grade 2 standard duty lever lockset which provides an outstanding combination of value and performance. It's the ideal lever lockset for light commercial applications.

When used in conjunction with the Extra Heavy Duty CL3300 Series and the Heavy Duty CL3600 Series lever locksets, the overall cost of many projects may be reduced without compromising functionality and durability.

Typical applications include:

- Interior offices
- Closets
- Multi-family housing
- Restaurants
- Retail complexes

### Advantages

- Solid cast levers
- Die-cast rose supports
- ANSI Grade 2 certification
- UL 3-hour fire rating
- Independent lever return springs
- Through-bolts on door for solid attachment
- Covers ANSI/DHI door prep A115.18 - 1994 "Spider Cut Out"
- Patented lever release for vandal resistance (Patent Number 4920773)



### INDEX

<b>Applications</b>	<b>2</b>
<b>Features</b>	<b>3</b>
<b>Finishes</b>	<b>3</b>
<b>Functions</b>	<b>4</b>
<b>Trim Designs</b>	<b>5</b>
<b>Options and Accessories</b>	<b>6</b>
<b>Strikes</b>	<b>7</b>
<b>How to Order</b>	<b>8-9</b>
<b>Helpful Terms</b>	<b>10</b>
<b>How to Specify</b>	<b>11</b>



Standard-Duty Key-In-Lever Locksets CL3900 Series

**Features**

**Handing**

Non-handed.

**Door Thickness Adjustment (Patent Pending)**

Standard 1-3/8" and 1-3/4" factory set for 1-3/4" doors. For 2" and 2-1/4" doors, specify door thickness on the order.

**Lock Chassis**

Steel, zinc dichromated for corrosion resistance.

**Backset**

2-3/4" standard.  
Optional: 2-3/8", 3-3/4" and 5".

**Latchbolt**

Stainless steel, 1/2" throw latch with universal "floating" front to fit both flat and beveled doors.  
2-1/4" x 1-1/8" square corner front for 2-3/4" backset standard. Other latch options, see page 6.

**Auxiliary Latchbolt**

Deadlocking latchbolt prevents manipulation when door is closed.

**Strike**

ANSI curved lip strike standard, 4-7/8" x 1-1/4" x 1-1/4" lip to center. Optional

strikes, lip lengths and ANSI wrought strike box available; see How to Order, page 9.

**Cylinder**

Brass, 6-pin, L4 keyway, "O" bitted standard.

**Keying Features Available**

- Master keying
- Construction master keying
- Visual key control
- Concealed key control
- Security
- Pyramid™ High Security
- Interchangeable core (IC)
- Security IC
- Pyramid™ High Security IC

**Keys**

Two nickel silver standard.

**Warranty**

One year limited. Lifetime warranty against lever sag and lever spring breakage.

Meets FF-H-106C.

**California State Reference Code**

(Formerly Title 19, California State Fire Marshal Standard)

All levers with returns comply; levers return to within 1/2" of door face.

**UL / ULc**

All locks listed for "A" label single doors. Letter "F" and UL symbol on latch front indicate listing.

**Finishes**

<b>BHMA 605</b>	<b>Bright Brass</b>
<b>BHMA 606</b>	<b>Satin Brass</b>
<b>BHMA 611</b>	<b>Bright Bronze</b>
<b>BHMA 612</b>	<b>Satin Bronze</b>
<b>BHMA 613</b>	<b>Dark Oxidized Satin Bronze, oil rubbed</b>
<b>BHMA 625</b>	<b>Bright Chromium Plated</b>
<b>BHMA 626</b>	<b>Satin Chromium Plated</b>

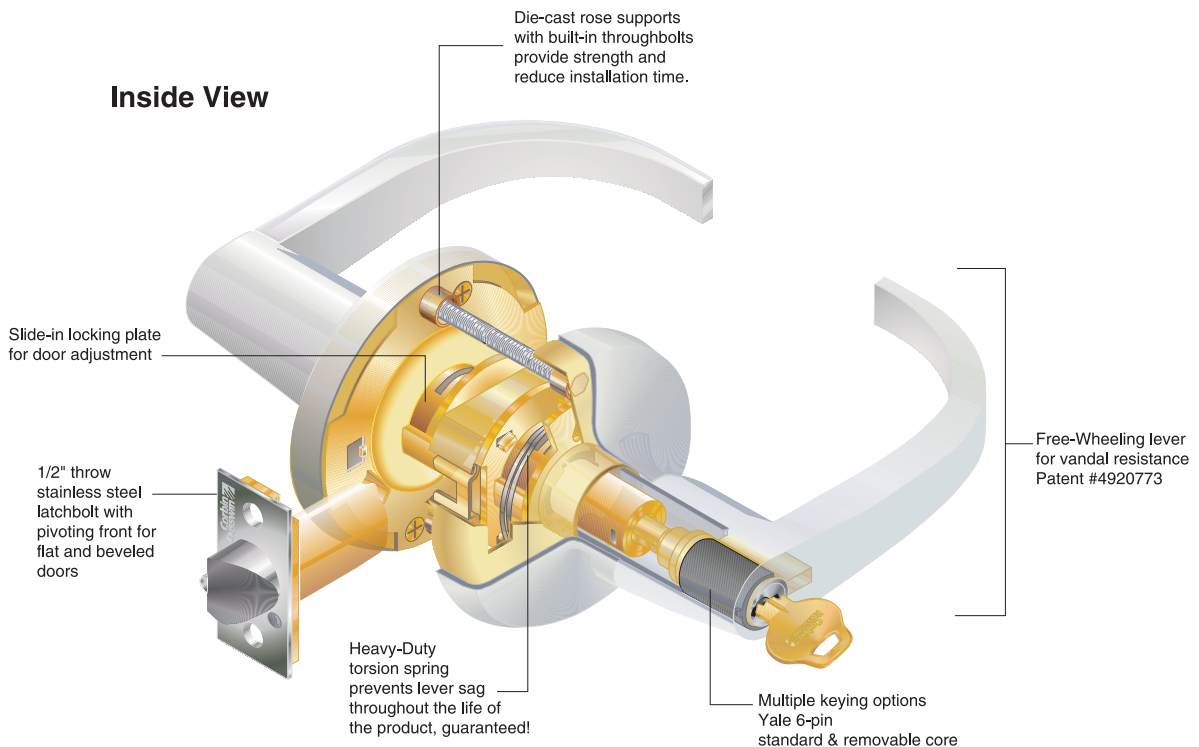
Zinc levers are plated to match BHMA finish.

**Certification/Compliance**

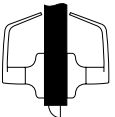
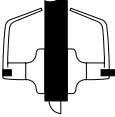
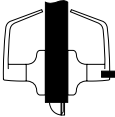
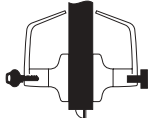
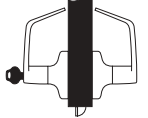
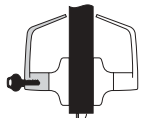
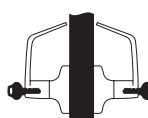
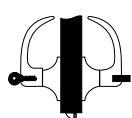
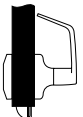

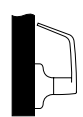
**ANSI**

Meets A156.2 Series 4000, Grade 2.  
Meets A117.1 Accessibility Code.

**Federal**



## Standard-Duty Key-In-Lever Locksets CL3900 Series

Outside	Inside	Series/ Function	Type	ANSI No. Series 4000	Function Description
		CL3910	Passage or Closet	F75	<ul style="list-style-type: none"> <li>Latchbolt by lever either side.</li> <li>Both levers always free.</li> </ul>
		CL3920	Privacy Bedroom or Bathroom	F76	<ul style="list-style-type: none"> <li>Latchbolt by lever either side, except when pushbutton locks outside lever. (Lever handle is free-wheeling in locked position.)</li> <li>Outside lever locked by push button.</li> <li>Outside lever unlocked by emergency release tool by rotating inside lever or by closing door.</li> <li>Inside lever always free.</li> </ul>
		CL3940	Patio or Privacy	F77	<ul style="list-style-type: none"> <li>Deadlocking latchbolt by lever either side except when pushbutton locks outside lever. (Lever handle is free-wheeling in locked position.)</li> <li>Outside lever locked by push button.</li> <li>Outside lever unlocked by rotating inside lever or by closing door.</li> <li>Inside lever always free.</li> <li>Should not be used in rooms that have no other entrance.</li> </ul>
		CL3951	Entrance or Office	F81/82	<ul style="list-style-type: none"> <li>Deadlocking latchbolt by lever either side except when turn button locks outside lever. (Lever handle is free-wheeling in locked position). Pushing turn button locks outside lever, requiring use of key outside to unlock.</li> <li>Turning inside lever unlocks outside lever.</li> <li>Pushing in and turning button locks outside lever, requiring key at all times. Turning inside lever does not unlock outside lever until button is manually turned to unlocked position.</li> </ul>
		CL3955	Classroom	F84	<ul style="list-style-type: none"> <li>Deadlocking latchbolt by lever either side except when key outside locks outside lever. (Lever handle is free-wheeling in locked position.)</li> <li>Outside lever unlocked by key outside.</li> <li>Inside lever always free.</li> </ul>
		CL3957	Storeroom or Closet	F86	<ul style="list-style-type: none"> <li>Deadlocking latchbolt by key in outside lever or by rotating inside lever.</li> <li>Outside lever always locked (lever handle is free-wheeling in locked position).</li> <li>Inside lever always free.</li> </ul>
		CL3962	Communicating	F80	<ul style="list-style-type: none"> <li>Deadlocking latchbolt by lever either side except when key in either lever locks or unlocks the lever independently of the other. (Lever handle is free-wheeling in locked position.)</li> <li>Should be used only in office or rooms with multiple entries.</li> </ul>
		CL3975	Dormitory Lock	—	<ul style="list-style-type: none"> <li>Deadlocking latchbolt by lever either side except when pushbutton or key locks outside lever.</li> <li>Pushbutton released by turning inside lever or by closing door.</li> <li>Pushbutton is not released when locked by key and, therefore, must be manually unlocked by key.</li> <li>Inside lever always free.</li> </ul>
		CL3980	Passage Lever x Blank Plate	—	<ul style="list-style-type: none"> <li>Deadlocking latchbolt by lever except when lever is locked by key.</li> <li>Lever on one side; blank plate on the other.</li> <li>Lever always free.</li> <li>For single or double communicating doors.</li> </ul>
		CL3981	Keyed Lever x Blank Plate	—	<ul style="list-style-type: none"> <li>Deadlocking latchbolt by lever except when key locks lever (lever handle is free-wheeling in locked position).</li> <li>Lever on one side; blank plate on other side.</li> </ul>
		CL3950	Half Dummy Trim	—	<ul style="list-style-type: none"> <li>Lever acts as pull only; no operation.</li> </ul>

# Trim Designs

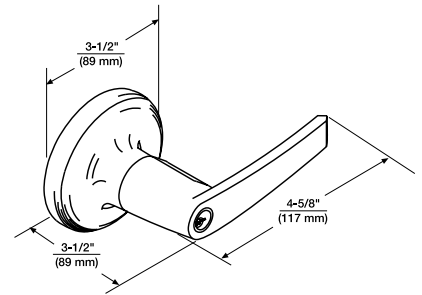
Standard-Duty Key-In-Lever Locksets CL3900 Series



## Armstrong

### AZD

Lever: Die-cast zinc  
Rose: Wrought brass  
or bronze

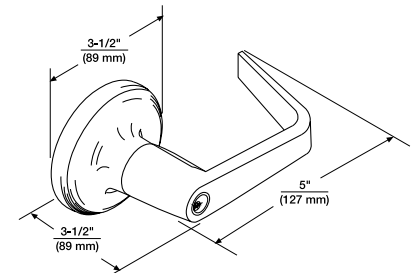


## Newport

Complies with codes requiring lever to return to within 1/2" of door face.

### NZD

Lever: Die-cast zinc  
Rose: Wrought brass  
or bronze

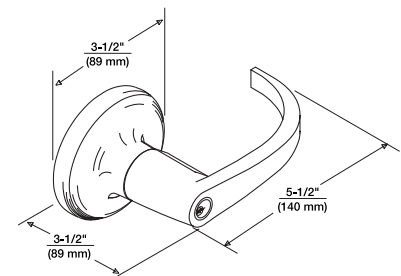


## Princeton

Complies with codes requiring lever to return to within 1/2" of door face.

### PZD

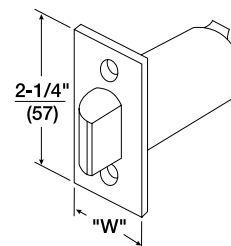
Lever: Die-cast zinc  
Rose: Wrought brass  
or bronze



### Standard-Duty Key-In-Lever Locksets CL3900 Series

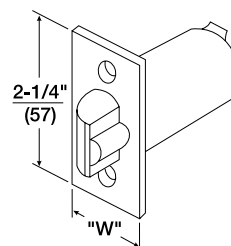
#### Plain Latchbolts

List No.	Front	Front Width "W"	Backset	Latch Diameter
679F12	Universal	1" (25mm)	2-3/8" (60mm)	7/8" (22mm)
680F05 (standard)	Universal	1-1/8" (29mm)	2-3/4" (70mm)	1" (22mm)*
680F41	Universal	1-1/8" (29mm)	3-3/4" (95mm)	1" (25mm)



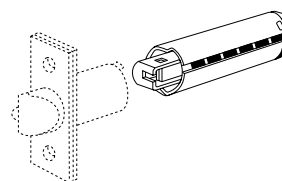
#### Deadlocking Latchbolts

List No.	Front	Front Width "W"	Backset	Latch Diameter
679F13	Universal	1" (25mm)	2-3/8" (60mm)	7/8" (22mm)
680F06 (standard)	Universal	1-1/8" (29mm)	2-3/4" (70mm)	1" (22mm)*
680F43	Universal	1-1/8" (29mm)	3-3/4" (95mm)	1" (25mm)



#### Backset Extension Links

Backset Desired	Latchbolt	Extension List Number	Backset	Latch Diameter
5"	679F12, 679F13	680F488	2-3/8" (60mm)	7/8" (22mm)
5"	679F05, 679F06	680F498	2-3/4" (70mm)	1" (25mm)



\* 2-3/4" backset latches have 7/8" diameter with a sleeve to accommodate 1" door preps.

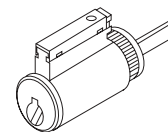
All latches have universal fronts, so they fit both flat and beveled door fronts.

When ordering latchbolts, specify Part No. x Finish (e.g., 679F12 x 626).

Available in 606, 612, 613 and 626.

#### Cylinders

Security Type	Standard Cylinder	Interchangeable Core
Conventional, 6-Pin	2000-039/2000-039L**	8000
High Security, 6-Pin	2010-039/2010-039L**	8010



Plug diameter for standard cylinder is .509, and .552 for high-security cylinders.

Cylinders are brass and come with 2 nickel silver keys.

Finishes for standard cylinders include 606 or 626.

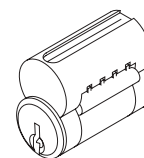
Finishes for interchangeable core cylinders include 605, 606, 611, 612, 613, 625, 626.

To order cylinders separately, specify Part No. x Keyway x Finish (e.g., 2000-039 x L4 x 626).

\*\* For 2" and 2-1/4" doors.

#### Cylinders with Competitive Keyways\*

Competitive Keyway	List Number
Schlage® C ("O" bitted)	2400-039-C / 2400-039L-C**
Schlage® C (keyed random)	2400-039-C-KR / 2400-039L-C-KR**
Sargent® LA ("O" bitted)	2400-039-LA / 2400-039L-LA**



\* Includes cylinder for 1-3/4" door.

"O" bitted cylinders are 6-pin.

Keyed random cylinders are 5-pin only.

\*\* For 2" and 2-1/4" doors.

### Standard-Duty Key-In-Lever Locksets CL3900 Series

#### Levers That Accept Competitive Interchangeable Core Cylinders\*

Cylinder Type	Quick Code
Best® 6 or 7-pin Interchangeable Core	Specify M08
Schlage® 6-pin Interchangeable Core	Specify M69

\* Cylinder not included.

#### Adapters Required to Accept Competitive Cylinders\*

Competitive Cylinder	List Number
Schlage® conventional (21-002, 23-001, 23-013) or Primus® (20-548, 20-550, 20-78, 20-750)	Specify M06 680F588/681F208**

\* Kit that modifies Schlage® cylinder to fit CL3900 (cylinder not included)

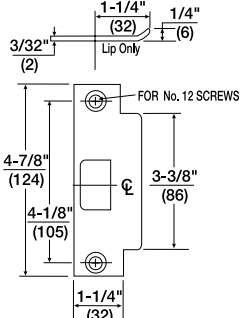
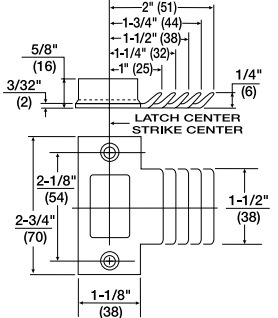
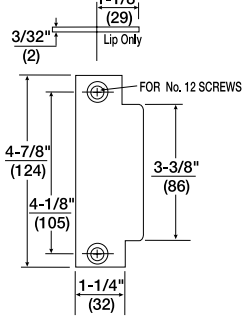
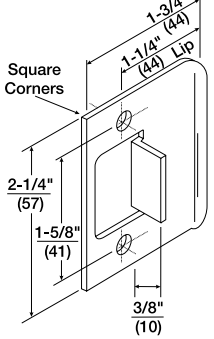
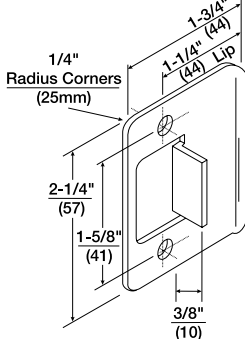
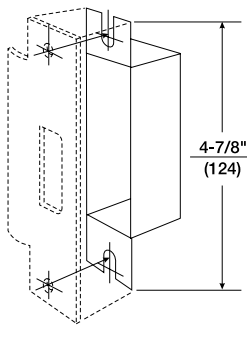
\*\* For 2" and 2-1/4" Doors

#### Attaching Screws

\*For T-Strikes order screw pack 680F388 by finish.

\*\*For ANSI Strikes order screw pack 680F398 by finish.

#### Strikes

 <p><b>Standard ANSI Curved Lip Strike</b> 217L13MLENFIN T-Strike</p> <p>FOR No. 12 SCREWS</p> <p>For door and frames with ANSI A115.2 preparations.**</p>	 <p><b>"T" Strike</b> 586L19MLENFIN</p> <p>This strike will accommodate frames for 1-3/8" (35mm) to 1-3/4" (44mm) thick doors. Strikes with other lip dimensions shown are available to special order. Supplied with Wrought Strike Box Part.*</p>	 <p><b>Strike ASA Blank</b> 680L52MLENFIN</p> <p>Available to special order. Installed in frame with standard ANSI A115.2 preparation to replace the strike when the lockset has been removed from the door.**</p>
 <p><b>Full Lip Strike</b> 680L50ML020FIN</p> <p>With full lip anti-rattle tab.*</p>	 <p><b>Full Lip Strike 1/4 Radius Corners</b> 680L51L020FIN</p> <p>Similar in dimensions and function to the L50 Strike but with radius corners for easy mortising by power tools. Anti-rattle tab.*</p>	 <p><b>ANSI Wrought Box Strike</b> 120F768</p> <p>Available to special order.</p>

## Standard-Duty Key-In-Lever Locksets CL3900 Series

### Ordering Examples

#### Stock Order

Quantity	Series/Function	Trim	Finish	Hand
<b>100</b>	<b>CL3955</b>	<b>NZD</b>	<b>626</b>	<b>RHR</b>

#### Split Trim / Finish Order

Quantity	Series/Function	Trim		Finish		Hand
		Outside	Inside	Outside	Inside	
<b>12</b>	<b>CL3955</b>	<b>NZD</b>	<b>AZD</b>	<b>626</b>	<b>625</b>	<b>RH</b>

#### Contract / Detailed Order

Quantity	Keyset	Series/Function	Trim	Finish	Hand	Backset	Optional Strike	Misc. Options	Optional Cylinder	Keying
<b>24</b>	<b>AA1</b>	<b>CL3955</b>	<b>NZD</b>	<b>626</b>	<b>RHR</b>	<b>B238</b>	<b>SC114</b>	<b>M17</b>	<b>HS</b>	<b>CKC2</b>

### Where to find ordering information and quick codes

Series/Functions	Page 4
Trim Designs	Page 5
Finishes	Page 9
Handing	Page 9
Door Thickness'	Page 9
Backsets	Page 9
Strikes	Page 9
Miscellaneous Options	Page 9
Cylinders and Keying	Page 9



## Standard-Duty Key-In-Lever Locksets CL3900 Series

### Finishes

Description	Specify
US3 Bright Brass	605
US4 Satin Brass	606
US9 Bright Bronze	611
US10 Satin Bronze	612
US10B Dark Oxidized Satin Bronze, oil-rubbed	613
US26 Bright Chromium Plated	625
US26D Satin Chromium Plated	626

Zinc levers are plated to match BHMA finish.

### Backsets

Description	Specify
2-3/8"	B238
2-3/4"	Standard
3-3/4"	B334
5"	B500

### Handing

Hand	Specify
Right Hand	RH
Left Hand	LH
Right Hand Reverse	RHR
Left Hand Reverse	LHR

### Cylinders and Keying

Description	Specify
Conventional 6-pin	Standard
Less cylinder(s)	LC
Security	HS
Security IC	CHS
Pyramid™ High Security	PHS
Pyramid™ High Security IC	PCHS
IC 6-pin	C6
IC 6-pin with temporary construction core	CT6
IC 6-pin less core	CL6
"0" bitted with 2 blank keys	Standard
Keyed random	KR
Construction master keying	CMK
Visual Key Control (VKC)	
- Keys only	VKC1
- Cylinders and keys (not for HS, CHS, PHS or PCHS)	VKC2
- Cylinders only (not for HS, CHS, PHS or PCHS)	VKC3
Concealed key control (CKC)	
- CKC cylinders with VKC keys	CKC2
- CKC cylinders only	CKC3
2 keys per lock	Standard
More than 2 keys	KY# (e.g., KY6)

### Strikes

Lip to Center	ANSI Curved Lip Specify	Curved Lip Box Specify	Full Lip Specify
1"	SA100	SC100	N/A
1-1/4"	Standard	SC114	SF114
1-1/4"	N/A	N/A	SFR114*
1-1/2"	SA112	SC112	N/A
1-3/4"	SA134	SC134	N/A
2"	SA200	SC200	N/A

\* SFR114 contains 1/4" radius corners.

### Miscellaneous Options

Description	Specify
Spanner head screws	M02
Torx head screws	M04
Hex head screws	M05
Less cylinder with tailpiece for Schlage® cylinder	M06
Lever to accept Best-type core (NZD & PZD design only)	M08
Lever to accept Schlage® Interchangeable Core (NZD & PZD design only)	M69
1" latch front, square corners (standard with 2-3/8" backset)	M14
ANSI wrought strike box	M17

### Door Thickness'

Door Thickness	Specify
1-3/8" - 1-3/4"	Standard
2", 2-1/4"	D214

## Standard-Duty Key-In-Lever Locksets CL3900 Series

### **Auxiliary Latchbolt**

A supplementary latch which, when the door is closed, automatically deadlocks the latchbolt. Protects the latchbolt from forced retraction or “credit carding.”

### **Backset**

The distance from the front of the lock to the centerline of the cylinder or knob/lever hub.

### **Bevel**

The angle of the edge of a door in relation to the inside and outside surfaces of the stile. The most common bevel for commercial doors is 1/8" in 2".

### **Box Strike**

A strike equipped with an enclosure behind the hole(s) for the latchbolt and/or deadbolt. Protects the strike area from mortar or cement.

### **Chassis**

The housing of a lockset, containing most of the working parts.

### **Curved Lip Strike**

A strike with the lip curved to conform to the detail of the door frame.

### **Dummy Trim**

Trim only, without the lock or latching mechanism, usually used on the inactive door of a pair of doors for design balance.

### **Front**

The part of a lock visible on the edge of a door.

### **Hand**

The direction a door swings.

### **Latchbolt**

A lock component having a beveled end that projects from the lock front but may be forced back into the chassis by end pressure or drawn back by action of the retractor. When the door is closed, the latchbolt projects into a hole provided in the strike, holding the door in the closed position.

### **Lip of Strike**

The projecting part of a strike which first engages the latch; may be curved or straight.

### **Return**

The part of a lever handle which angles or turns back toward the face of the door. Also, the distance between the end of the return of the lever and the surface of the door.

### **Strike**

A metal plate that is pierced or recessed to receive the deadbolt or latchbolt of a lock (sometimes called a keeper).

### **Throw**

The distance that a lock's deadbolt or latchbolt projects when in the locked position. The effective throw is the distance that a latchbolt projects when deadlocked.

### **Wrought Strike Box**

A metal box mounted behind the strike to protect the strike opening from mortar or cement.

## **Keying and Cylinder Terms**

### **Concealed Key Control (CKC)**

The marking of standard key symbols on a cylinder in a location which is not visible once the cylinder is installed.

### **Construction Core**

An interchangeable core for temporary use during construction. It is replaced by the permanent core when construction personnel no longer need access.

### **Construction Master Keying (CMK)**

A cylinder preparation which allows temporary access by construction personnel.

### **Control Key**

A key used to remove and install interchangeable cores.

### **Cylinder**

A lock component containing the combination which determines which keys will operate.

### **High Security Cylinder**

A cylinder which provides extra resistance to picking and unauthorized duplication of keys.

### **Interchangeable Core (IC)**

A cylinder which can be removed and installed quickly with a control key by non-technical personnel when re-keying is required.

### **Key Section**

The cross-section of a key blade, as viewed from bow to tip.

### **Key Symbol**

A letter/number combination in standard industry format (e.g., 1AA, AA1, etc.) which indicates exactly how a key or cylinder fits into a keying system.

### **Keyway**

The opening in a cylinder plug through which the key enters.

### **Master Keying**

Preparation of a cylinder to operate with keys of different levels of access.

### **Visual Key Control (VKC)**

The marking of standard key symbols on keys and on the visible portion of the front of cylinders.

## Standard-Duty Key-In-Lever Locksets CL3900 Series

---

### Suggested Specification

Lockset chassis shall be constructed of heavy gauge steel and cast components, plated to protect against rust and corrosion. Locksets shall be adjustable for 1-3/8" (35mm) and 1-3/4" (44mm) or 2" (51mm) and 2-1/4" (57mm) door thickness.

Locksets shall be non-handed, and shall install easily without the need for specialized installation tools. Locksets shall have separate anti-rotation throughbolts in the 6 o'clock and 12 o'clock position outside the 2-1/8" face bore, and shall have no exposed mounting screws.

Locksets shall have solid one-piece, cast levers without plastic inserts, and shall be a minimum of 4-5/8" (117mm) in length. Levers shall operate independently, and shall have inside and outside lever return springs. Outside levers on the keyed locksets shall be removable only when the designated key is in the cylinder.

Vandal-resistant levers shall be offered as a standard feature in all locking functions and shall be Free Wheeling in the locked condition. Locksets that are rigid in the locked condition, or must require resetting (breakaway) are not acceptable.

The latchbolt shall be made of stainless steel.

All locksets shall carry a one year mechanical warranty. Locksets shall carry a lifetime warranty against lever sag or lever spring breakage.

**All locksets shall comply with the following certifications:**

- UL 3-Hour Fire Rating
- ANSI A156.2 Series 4000, Grade 2
- ANSI A117.1 Accessibility Code
- ANSI A115.1B Preparation

All locksets shall be CL3900 Series Grade 2 key-in-Lever Cylindrical Locksets as manufactured by Corbin Russwin Inc.

---

### Notes

For more information regarding Corbin Russwin Locksets, Exit Devices, Door Controls and Key Systems, contact your authorized Corbin Russwin Distributor or Sales Representative.



In U.S.:  
Corbin Russwin, Inc.  
1902 Airport Road  
Monroe, NC 28110  
Phone 800-543-3658/704-283-2101  
Fax 800-447-6714/704-289-6937  
**www.corbin-russwin.com**

In Canada:  
Yale-Corbin Canada Ltd.  
6940 Edwards Boulevard  
Mississauga, ONT L5T 2W2  
Phone 800-461-3007/905-564-5854  
Fax 800-461-8989/905-564-8182  
**www.yalecorbin.on.ca**

The ASSA ABLOY Group is the world's leading manufacturer and supplier of locks and associated products, dedicated to satisfying end-user needs for security, safety and convenience.

Corbin Russwin and Design® is a registered trademark of Corbin Russwin Inc. Pyramid and Design™ is a trademark of Corbin Russwin, Inc. Best® is a registered trademark of Best Lock Corporation. Schlage® and Primus® are registered trademarks of Schlage Lock Company. Sargent® is a registered trademark of Sargent Manufacturing Company. Other product brand names may be trademarks or registered trademarks of their respective owners and are mentioned for reference purposes only. These materials are protected under US copyright laws. All contents current at time of publication. Corbin Russwin, Inc. reserves the right to change availability of any item in this catalog, its design, construction, and/or its materials.