

MOUNTING INFORMATION

Sex nuts or through bolts **are required** for wood and plastic covered composite doors, and any type of door without reinforcements and **recommended** for wood core and metal clad (Kalenein) type doors.

RH SHOWN
LH OPPOSITE

TEMPLATE CROSS REFERENCE

DESCRIPTION	TEMPLATE
DC26920	T30534

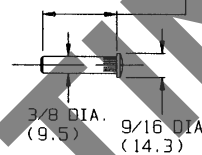
CAUTION: CLOSER TO BE INSTALLED IN A TRUE HORIZONTAL POSITION TO ENSURE PROPER CLOSER PERFORMANCE.

OPENING MAXIMUM	A	B	HINGE CONDITION
110°	7-1/2 (190.5)	13-7/8 (352.4)	BUTTS, OFFSET PIVOTS, AND SWING CLEAR HINGES
140°	6" (152.4)	12-3/8 (314.3)	CENTER HUNG
Δ 180°	4-1/2 (115.3)	10-7/8 (276.2)	
140°	6" (152.4)	12-3/8 (314.3)	

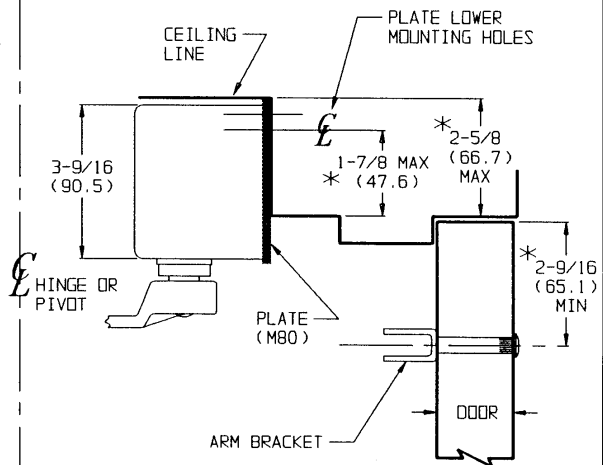
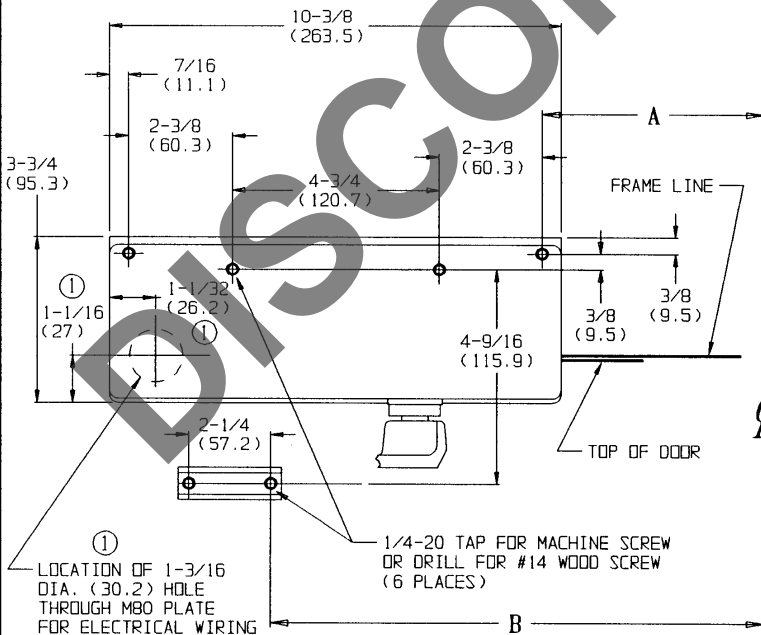
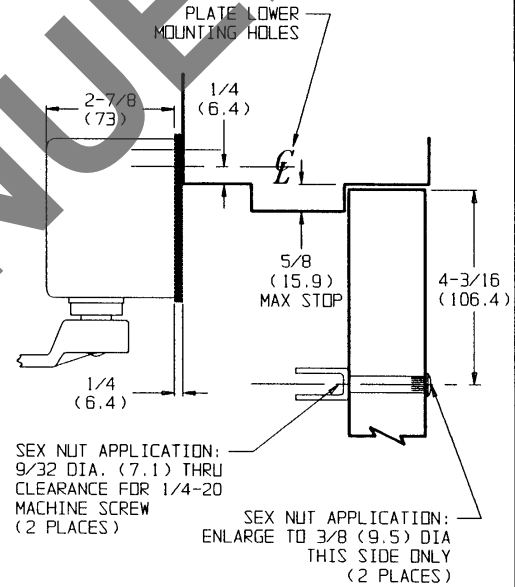
NOTES:

- DIMENSIONS "A" AND "B" APPLY TO CENTERLINE OF HINGE/PIVOT FOR BUTT, SWING CLEAR, OFFSET AND CENTER HUNG PIVOTS.
- DIMENSIONS GIVEN IN INCHES AND (MM).
- 1" (25.4) MINIMUM TOP JAMB REQUIRED FOR MOUNTING PLATE.
- TO MOUNT PLATE ON JAMBS NARROWER THAN 2-5/8 (66.7), DECREASE 1-7/8 DIMENSION AND INCREASE 2-9/16 DIMENSION EQUALLY.
- FOR 1-3/4 (44.5) MINIMUM TOP JAMBS WITH REQUIRED CLEARANCE ABOVE CLOSER, MOUNT CLOSER DIRECTLY TO JAMB WITHOUT PLATE.
- DOOR THICKNESS MUST NOT EXCEED 1-3/4 (44.5) INCHES FOR 180°.
- MINIMUM TOP RAIL: ADD 5/16 (7.9) TO ARM BRACKET DIMENSION.

1-21/32 (42.1)
FOR 1-3/4 (44.5)
INCH DOORS
(LENGTH MAY VARY
FOR OTHER DOOR
THICKNESSES)



SEX NUT DETAIL



RESPONSIBILITY

Door and Frame Manufacturers are responsible for providing adequate construction or reinforcements for proper installation of hardware shown. All architectural builders hardware must be installed on properly reinforced doors and frames, regardless of the type, material, or method of construction.

DC26920 Series By M80

ELECTROMECHANICAL
SURFACE DOOR CLOSER
TOP JAMB MOUNTING

**Corbin
Russwin**™

DO NOT SCALE DRAWING			
SUPERSEDES	T30523	DR.	DLD
DATE	4/22/94	TEMPLATE NUMBER	T30523-1