

MOUNTING INFORMATION

Sex nuts or through bolts **are required** for wood and plastic covered composite doors, and any type of door without reinforcements and **recommended** for wood core and metal clad (Kalamein) type doors.

RH SHOWN
LH OPPOSITE

TEMPLATE CROSS REFERENCE

DESCRIPTION	TEMPLATE
DC3210, DC3610	T30612
DC3220, DC3620	T30621

TOP RAIL	A	B	MINIMUM CLEARANCE REQUIRED OVER DOOR
			NON HOLD-OPEN
2-1/2" & OVER (63.5)	7/8 (22.2)	3/4 (19.1)	1-11/16 (42.9)
1-3/4" MIN. (44.5)	1/2 (12.7)	1-1/8 (28.6)	2-1/16 (52.4)

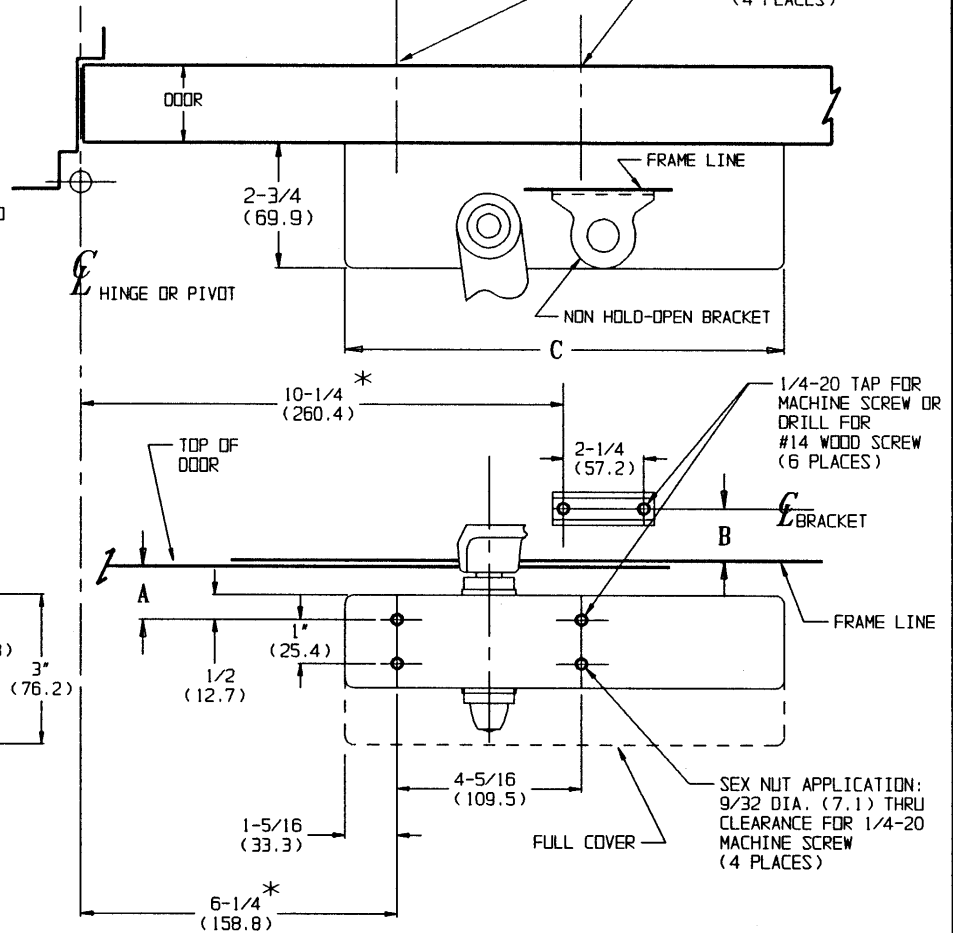
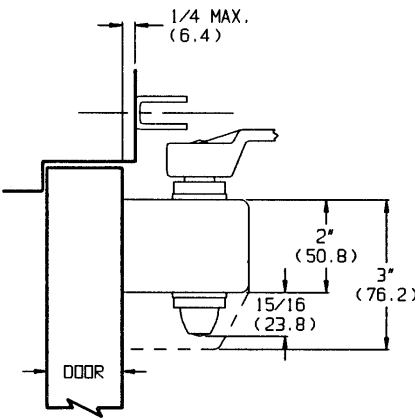
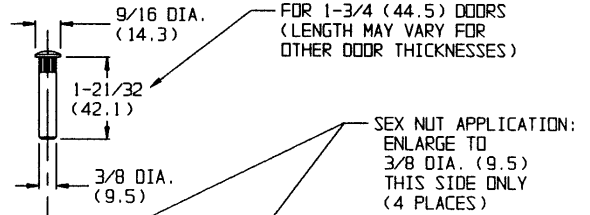
DESCRIPTION	C
DC3600	10-3/8" (263.5)
DC3200	11-5/8" (295.3)
FULL COVER	

CAUTION: CLOSER TO BE INSTALLED IN A TRUE HORIZONTAL POSITION TO ENSURE PROPER CLOSER PERFORMANCE.

NOTES:

- TO OBTAIN EXTRA CLOSING FORCE, ADD 4" (101.6) TO DIMENSIONS MARKED BY ASTERISK (*). THIS WILL LIMIT DEGREE OF DOOR OPENING TO 110°.
- DIMENSIONS GIVEN IN INCHES AND (MM).
- DIMENSIONS MARKED (*) APPLY TO CENTERLINE OF HINGE/PIVOT FOR BUTT, SWING CLEAR, OFFSET AND CENTER HUNG PIVOTS.

SEX NUT DETAIL



RESPONSIBILITY

Door and Frame Manufacturers are responsible for providing adequate construction or reinforcements for proper installation of hardware shown. All architectural builders hardware must be installed on properly reinforced doors and frames, regardless of the type, material, or method of construction.

DC3200 SERIES BY A10
DC3600 SERIES BY A10

SURFACE DOOR CLOSER
BY HEAVY DUTY REGULAR ARM

Corbin Russwin
www.corbinrusswin.com

DO NOT SCALE DRAWING

SUPERSEDES DR. OLD

DATE 9-95 TEMPLATE NUMBER T30650