

MOUNTING INFORMATION

Sex nuts or through bolts **are required** for wood and plastic covered composite doors, and any type of door without reinforcements and **recommended** for wood core and metal clad (Kalamein) type doors.

RH SHOWN
LH OPPOSITE

TEMPLATE CROSS REFERENCE

DESCRIPTION	TEMPLATE
DC3210, DC3610	T30612
DC3210, DC3610 x M80	T30613
DC3210, DC3610 x M83	T30615
DC3210, DC3610 x M82	T30614

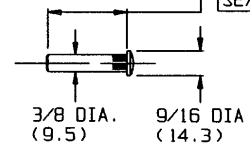
CAUTION: CLOSER TO BE INSTALLED IN A TRUE HORIZONTAL POSITION TO ENSURE PROPER CLOSURE PERFORMANCE.

NOTES:

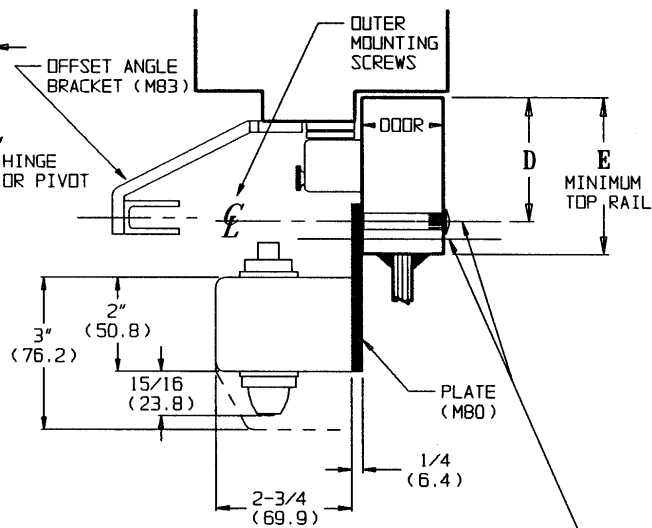
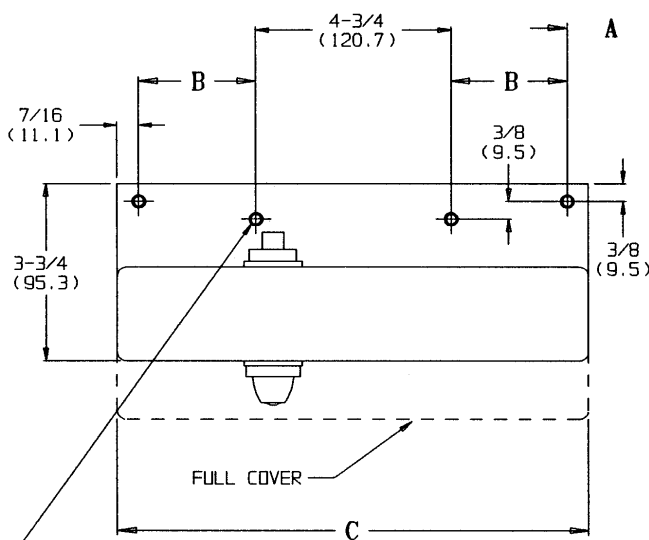
- DEGREE OF OPENING: 85° THROUGH 110°.
- DIMENSIONS GIVEN IN INCHES AND (MM).
- OFFSET ANGLE BRACKET MAY BE MOUNTED ON STOP AS SHOWN OR RABBET. REFER TO TEMPLATE T30530 FOR MOUNTING DIMENSIONS.
- TO OBTAIN EXTRA CLOSING FORCE, ADD 3" (76.2) TO DIMENSIONS MARKED BY ASTERISK (*). THIS WILL LIMIT DEGREE OF DOOR OPENING TO 110°.

1-21/32 (42.1)
FOR 1-3/4 (44.5)
INCH DOORS
(LENGTH MAY VARY
FOR OTHER DOOR
THICKNESSES)

SEX NUT DETAIL



CLOSER SERIES	A	B	C	DOOR HOLDER SERIES	D	E
DC3610	* 3-1/4 (82.6)	2-3/8 (60.3)	10-3/8 (263.5)	DH5201, DH5202, DH5203 SERIES DH5201S, DH5202S, DH5203S SERIES DH5401, DH5402 SERIES	3-5/16 (84.1)	4" (101.6)
				DH5600 SERIES	2-7/8 (73)	3-9/16 (90.5)
DC3210	* 2" (50.8)	3" (76.2)	11-5/8 (295.3)	DH5201, DH5202, DH5203 SERIES DH5201S, DH5202S, DH5203S SERIES DH5401, DH5402 SERIES	3-5/16 (84.1)	4" (101.6)
				DH5600 SERIES	2-7/8 (73)	3-9/16 (90.5)



SEX NUT APPLICATION:
ENLARGE TO 3/8 DIA.
THIS SIDE ONLY
(4 PLACES)

1/4-20 TAP FOR MACHINE SCREW
OR DRILL FOR #14 WOOD SCREW
(4 PLACES)

SEX NUT APPLICATION:
9/32 DIA (7.1) THRU CLEARANCE
FOR 1/4-20 MACHINE SCREW
(4 PLACES)

RESPONSIBILITY

Door and Frame Manufacturers are responsible for providing adequate construction or reinforcements for proper installation of hardware shown. All architectural builders hardware must be installed on properly reinforced doors and frames, regardless of the type, material, or method of construction.

DC3210 SERIES BY M80 & M83
DC3610 SERIES BY M80 & M83

SURFACE DOOR CLOSER
PARALLEL ARM MOUNTING
BY OFFSET ANGLE BRACKET
BY PLATE FOR HOLDERS

**Corbin
Russwin**™
www.corbinrusswin.com

DO NOT SCALE DRAWING
SUPERSEDES DR. BTH
DATE 04/07/93 TEMPLATE NUMBER T30616