

MOUNTING INFORMATION

Sex nuts or through bolts **are required** for wood and plastic covered composite doors, and any type of door without reinforcements and **recommended** for wood core and metal clad (Kalamein) type doors.

RH SHOWN
LH OPPOSITE

TEMPLATE CROSS REFERENCE

DESCRIPTION	TEMPLATE
DC3210, DC3610	T30612
DC3210, DC3610 x M80	T30613
DC3210, DC3610 x M80 & M83	T30616
DC3210, DC3610 x M83	T30615

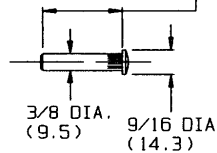
NOTES:

- TO OBTAIN EXTRA CLOSING FORCE, ADD 3" (76.2) TO DIMENSIONS MARKED BY ASTERISK (*). THIS WILL LIMIT DEGREE OF OPENING TO 110°.
- DIMENSIONS GIVEN IN INCHES AND (MM).
- MINIMUM TOP RAIL:
 - 4-1/16 (103.2) STANDARD DOOR
 - 4-3/8 (111.1) RABBETED DOORS
- DIMENSIONS MARKED (*) APPLY TO CENTERLINE OF HINGE/PIVOT FOR BUTT, SWING CLEAR, OFFSET AND CENTER HUNG PIVOTS.
- MAXIMUM DEGREE OF OPENING FOR SWING CLEAR HINGE IS 110°.

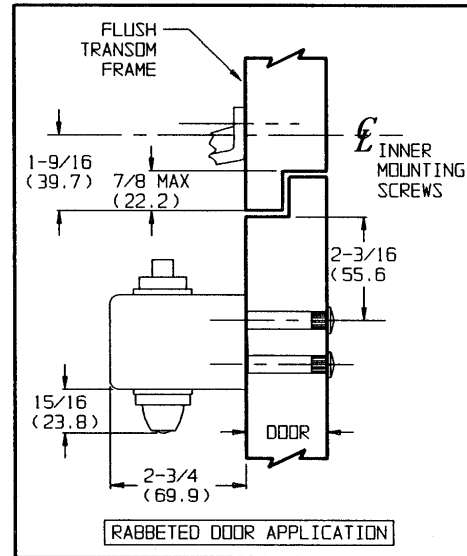
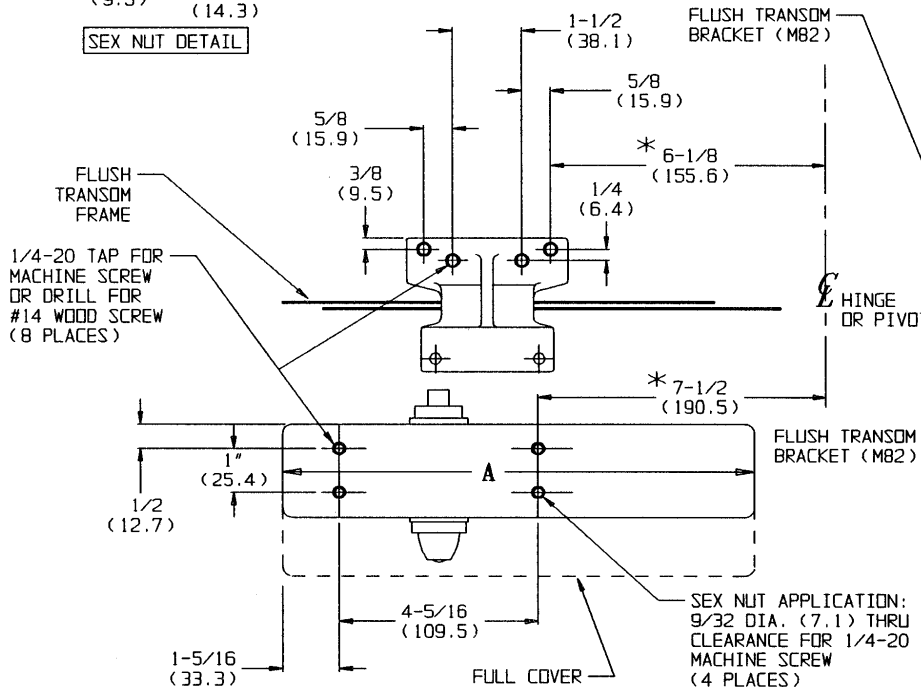
CAUTION: CLOSER TO BE INSTALLED IN A TRUE HORIZONTAL POSITION TO ENSURE PROPER CLOSER PERFORMANCE.

DESCRIPTION	DIMENSION A
DC3610	10-3/8 (263.5)
DC3210	11-5/8 (295.3)
FULL COVER	

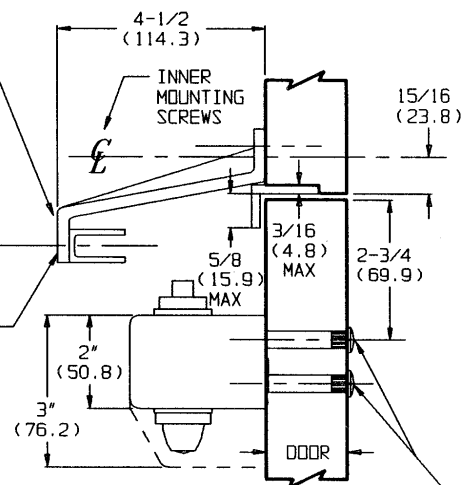
1-21/32 (42.1)
FOR 1-3/4 (44.5)
INCH DOORS
(LENGTH MAY VARY
FOR OTHER DOOR
THICKNESSES)



SEX NUT DETAIL



RABBETED DOOR APPLICATION



SEX NUT APPLICATION:
ENLARGE TO 3/8 (9.5) DIA.
THIS SIDE ONLY
(4 PLACES)

RESPONSIBILITY

Door and Frame Manufacturers are responsible for providing adequate construction or reinforcements for proper installation of hardware shown. All architectural builders hardware must be installed on properly reinforced doors and frames, regardless of the type, material, or method of construction.

DC3210 SERIES BY M82
DC3610 SERIES BY M82

SURFACE DOOR CLOSER
PARALLEL ARM MOUNTING
BY FLUSH TRANSOM BRACKET

Corbin Russwin
www.corbinrusswin.com

DO NOT SCALE DRAWING

SUPERSEDES: _____ DR. KJ
DATE: 5/7/93 TEMPLATE NUMBER: T30614