

MOUNTING INFORMATION

Sex nuts or through bolts **are required** for wood and plastic covered composite doors, and any type of door without reinforcements and **recommended** for wood core and metal clad (Kalamein) type doors.

RH SHOWN
LH OPPOSITE

TEMPLATE CROSS REFERENCE

DESCRIPTION	TEMPLATE
DC3210, DC3610	T30612
DC3210, DC3610 x M80	T30613
DC3210, DC3610 x M80 & M83	T30616
DC3210, DC3610 x M82	T30614

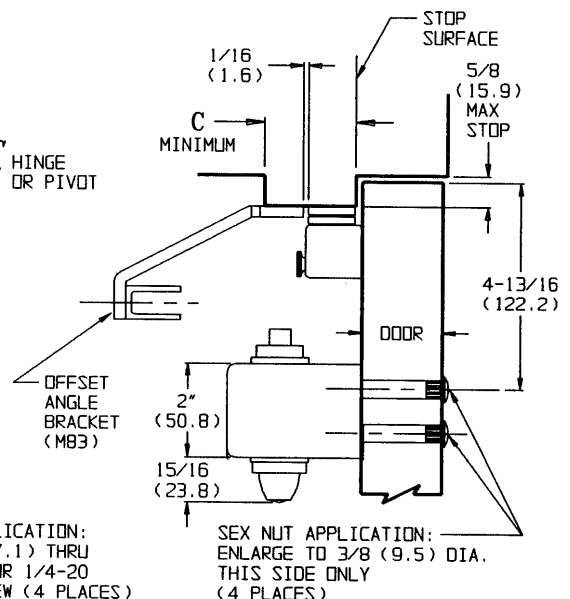
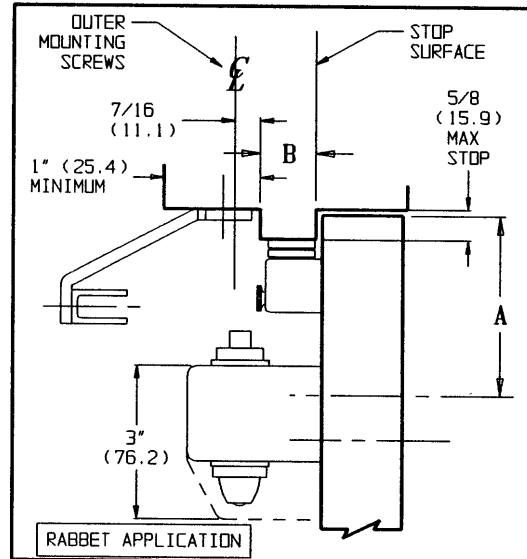
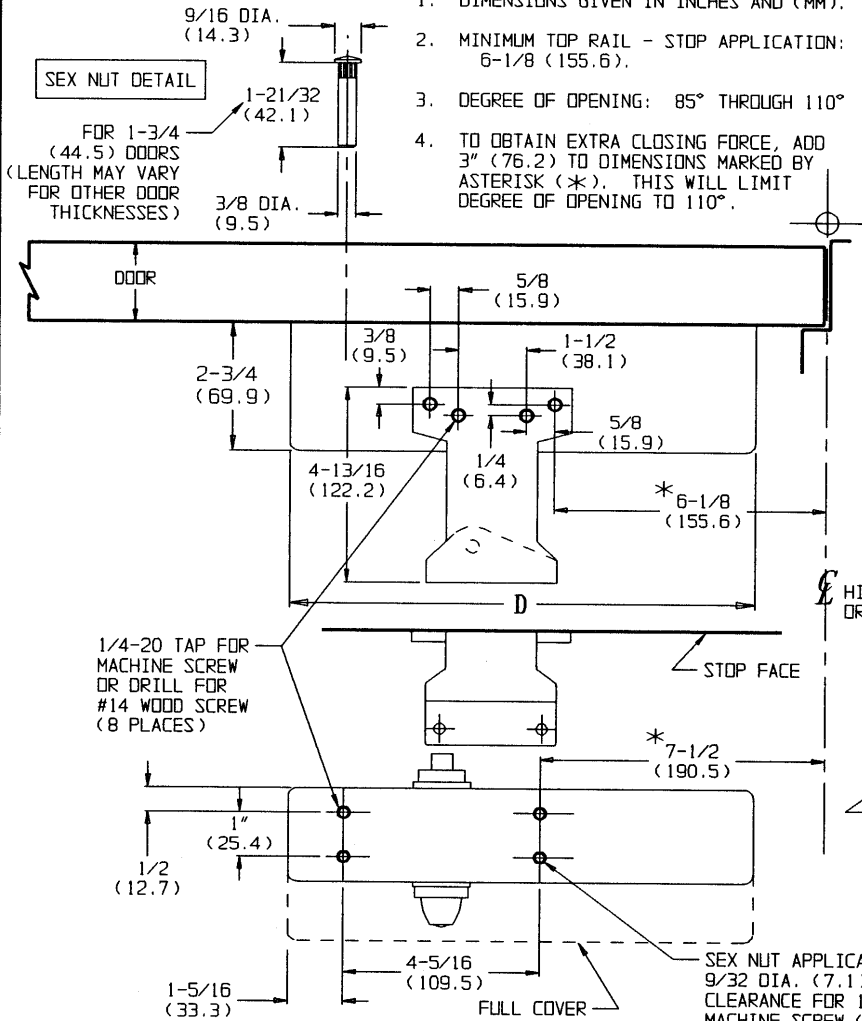
DOOR HOLDER SERIES	APPLICATION			
	RABBET			STOP
	A	B _{MIN}	B _{MAX}	C _{MIN}
DH5201, DH5202, DH5203 SERIES DH5201S, DH5202S, DH5203S SERIES	4-1/16 (103.2)	1-1/8 (28.6)	1-1/2 (38.1)	2-1/16 (52.3)
DH5401, DH5402 SERIES				
DH5600 SERIES	4-13/16 (122.2)	1-1/2 (38.1)		2-7/16 (61.9)

DESCRIPTION	DIMENSION D
DC3610	10-3/8 (263.5)
DC3210	11-5/8 (295.3)
FULL COVER	

CAUTION: CLOSER TO BE INSTALLED IN A TRUE HORIZONTAL POSITION TO ENSURE PROPER CLOSER PERFORMANCE.

NOTES:

1. DIMENSIONS GIVEN IN INCHES AND (MM).
2. MINIMUM TOP RAIL - STOP APPLICATION: 6-1/8 (155.6).
3. DEGREE OF OPENING: 85° THROUGH 110°
4. TO OBTAIN EXTRA CLOSING FORCE, ADD 3" (76.2) TO DIMENSIONS MARKED BY ASTERISK (*). THIS WILL LIMIT DEGREE OF OPENING TO 110°.



RESPONSIBILITY

Door and Frame Manufacturers are responsible for providing adequate construction or reinforcements for proper installation of hardware shown. All architectural builders hardware must be installed on properly reinforced doors and frames, regardless of the type, material, or method of construction.

DC3210 SERIES BY M83
DC3610 SERIES BY M83

SURFACE DOOR CLOSER
PARALLEL ARM MOUNTING
BY OFFSET ANGLE BRACKET
FOR HOLDERS

**Corbin
Russwin**
www.corbinrusswin.com

DO NOT SCALE DRAWING

SUPSEDES	DR. BTH	APR. SW
DATE	04/07/93	TEMPLATE NUMBER
		T 30615