

MOUNTING INFORMATION

Sex nuts or through bolts **are required** for wood and plastic covered composite doors, and any type of door without reinforcements and **recommended** for wood core and metal clad (Kalamein) type doors.

RH SHOWN
LH OPPOSITE

TEMPLATE CROSS REFERENCE

DESCRIPTION	TEMPLATE
DC3210, DC3610 x A4, A5 & M80	T30620
DC3210, DC3610 x A3	T30617
DC3210, DC3610 x A2	T30618

NOTES:

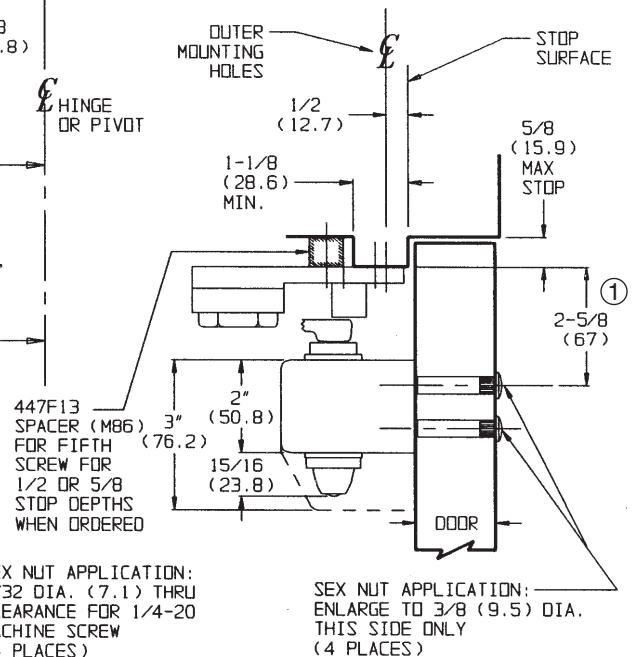
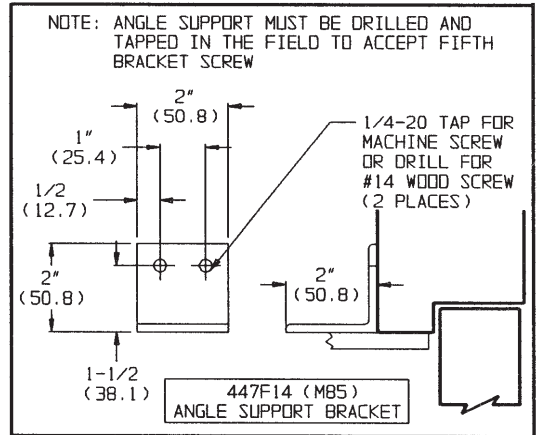
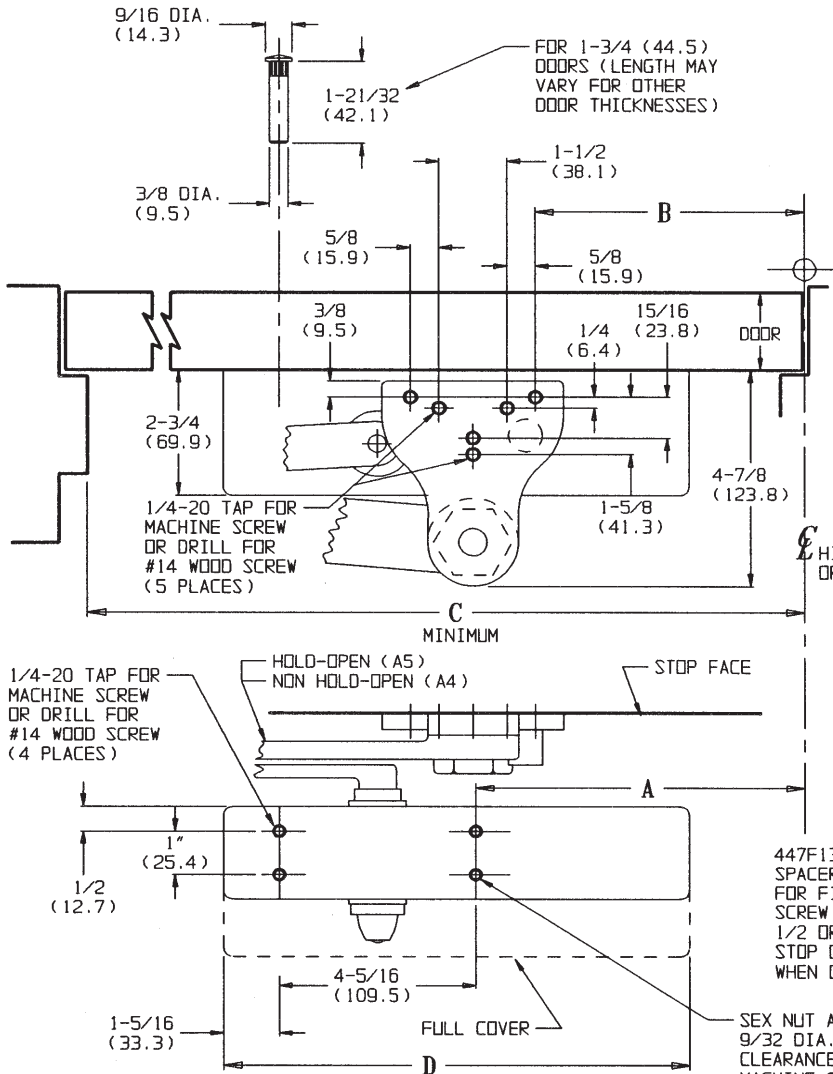
- DIMENSIONS GIVEN IN INCHES AND (MM).
- MINIMUM TOP RAIL: 4-3/16 (106.4).
- DIMENSIONS "A" & "B" APPLY TO CENTERLINE OF HINGE/PIVOT FOR BUTT, SWING CLEAR, OFFSET AND CENTER HUNG PIVOTS.

OPENING MAXIMUM	A	B	C MINIMUM
85°	13-3/4 (349.3)	12-9/16 (319.1)	28-5/8 (727.1)
90°	12-13/16 (325.4)	11-5/8 (295.3)	27-5/8 (701.7)
100°	11-1/4 (285.8)	10-1/16 (255.6)	26-1/8 (663.6)
110°	9-15/16 (252.4)	8-3/4 (222.3)	24-3/4 (628.7)

DESCRIPTION	D
DC3610	10-3/8 (263.5)
DC3210	11-5/8 (295.3)
FULL COVER	

SEX NUT DETAIL

CAUTION: CLOSER TO BE INSTALLED IN A TRUE HORIZONTAL POSITION TO ENSURE PROPER CLOSER PERFORMANCE.



RESPONSIBILITY

DOOR AND FRAME MANUFACTURERS ARE RESPONSIBLE FOR PROVIDING ADEQUATE CONSTRUCTION OR REINFORCEMENTS FOR PROPER INSTALLATION OF HARDWARE SHOWN. ALL ARCHITECTURAL BUILDERS HARDWARE MUST BE INSTALLED ON PROPERLY REINFORCED DOORS AND FRAMES, REGARDLESS OF TYPE, MATERIAL, OR METHOD OF CONSTRUCTION.

DC3210 Series x A4 & A5
DC3610 Series x A4 & A5

Surface Door Closer
Parallel Arm Mounting
By Backstop Arm

Corbin Russwin
ASSA ABLOY

www.corbinrusswin.com

SUPERSEDES	T30619	DO NOT SCALE DRAWING
TEMPLATE NUMBER	T30619-1	DATE
		04-10