

MOUNTING INFORMATION

Sex nuts or through bolts **are required** for wood and plastic covered composite doors, and any type of door without reinforcements and **recommended** for wood core and metal clad (Kalamein) type doors.


RH SHOWN
LH OPPOSITE

TEMPLATE CROSS REFERENCE

DESCRIPTION	TEMPLATE
DC3220, DC3620 x M80	T30622
DC3220, DC3620 x M80	T30623

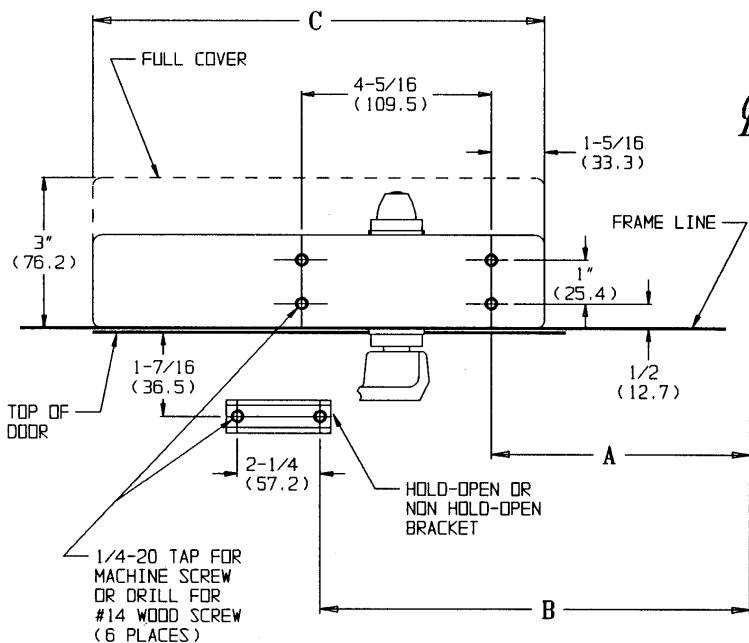
CAUTION: CLOSER TO BE INSTALLED IN A TRUE HORIZONTAL POSITION TO ENSURE PROPER CLOSER PERFORMANCE.

DESCRIPTION	C
DC3620	10-3/8 (263.5)
DC3220	11-5/8 (295.3)
FULL COVER	

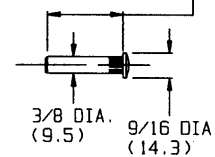
OPENING MAXIMUM	A	B	HINGE CONDITION
110°	8-7/8 (225.4)	13-3/8 (339.7)	BUTTS, OFFSET PIVOTS, AND SWING CLEAR HINGES
180°	5-7/8 (149.2)	10-3/8 (263.5)	
 140°	7-3/8 (187.3)	11-7/8 (301.6)	CENTER HUNG

NOTES:

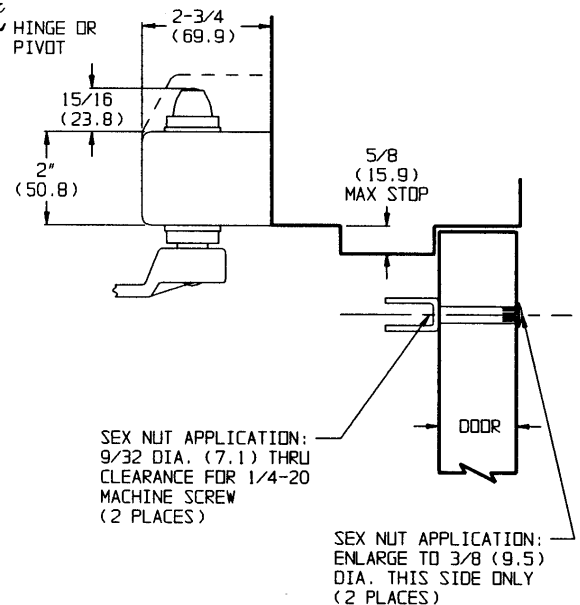
- DIMENSIONS GIVEN IN INCHES AND (MM).
- MINIMUM 1-3/4 (44.5) REQUIRED FOR TOP JAMB AND TOP RAIL.
- DIMENSIONS "A" & "B" APPLY TO CENTERLINE OF HINGE/PIVOT FOR BUTT, SWING CLEAR, OFFSET AND CENTER HUNG PIVOTS.



1-21/32 (42.1) FOR 1-3/4 (44.5) INCH DOORS (LENGTH MAY VARY FOR OTHER DOOR THICKNESSES)



SEX NUT DETAIL



RESPONSIBILITY

Door and Frame Manufacturers are responsible for providing adequate construction or reinforcements for proper installation of hardware shown. All architectural builders hardware must be installed on properly reinforced doors and frames, regardless of the type, material, or method of construction.

DC3220 SERIES
DC3620 SERIES

SURFACE DOOR CLOSER
TOP JAMB MOUNTING

Corbin Russwin
www.corbinrusswin.com

DO NOT SCALE DRAWING

SUPERSEDES VT30377 DR. KJ
DATE 5/10/93 TEMPLATE NUMBER T30621