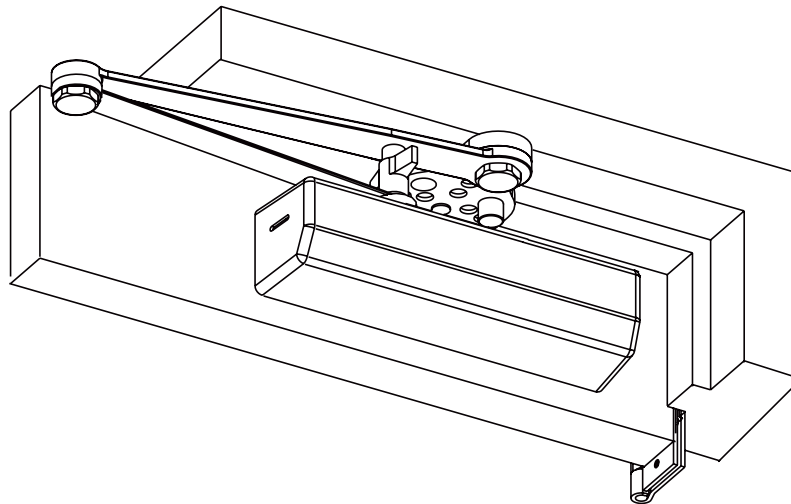


DC3210 Series

A2 Hold Open without Backstop
A4 Non-Hold Open with Backstop
A5 Hold Open with Backstop
Heavy Duty Parallel Arm



Important

- An improperly installed or incorrectly adjusted door closer may cause property damage or personal injury; and will void product warranty.
- To avoid personal injury, **DO NOT DISASSEMBLE THIS DOOR CLOSER BODY.**
- Door closers must be securely fastened to a properly reinforced door and frame with fasteners provided.
- Door closers with a HOLD OPEN ARM are not permitted to be installed in fire door assemblies.
- Door and frame must be specifically templated for 85°, 90°, 95°, 100°, 105° orb 110° door swing.

DC3210 Series Closer

A2, A4 or A5 Heavy Duty Parallel Arm

Installation Instructions



ASSA ABLOY

1

Introduction

A2 Arm

*This application requires an auxiliary door stop "by others"
Hold Open Only
(No Stop Feature)

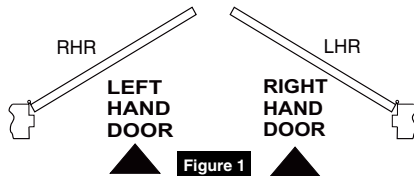
A4 Arm

Non-Hold Open with Backstop

A5 Arm

Hold Open with Backstop

TO DETERMINE HAND OF YOUR DOOR:



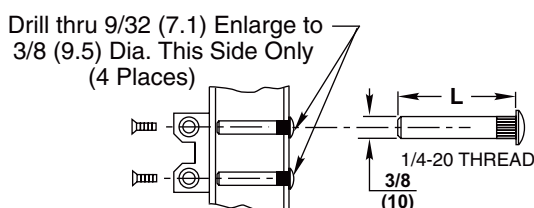
Size of Door & Door Closer					
Type of Installation	Interior	Exterior In-swinging	Exterior Out-swinging	Recommended Closer Size	**Max. Opening Force lbs/f
Parallel Arm	2' 4"	-	-	1	8
	2' 6"	-	-	2	14
	3' 0"	-	2' 6"	3	16
	3' 6"	-	3' 0"	4	22
	4' 0"	-	3' 6"	5	24
	4' 6"	-	4' 0"	6	26

****NOTE:** These forces are for standard templating with bearing type hinges and do not account for pressure differentials and draft.

MOUNTING SCREW SPECIFICATIONS

ARM AND CLOSER BRACKET

1/4-20 oval head machine screw or 1/4-14 self-drilling screw Type BSD. 3/16 (4.8) diameter pilot hole required for Wood Applications. } or { Option M54: Sex nuts, furnished when ordered



DOOR THICKNESS	SEX NUT LENGTH "L"
1-3/8" (35mm)	1-9/32" (33mm)
1-3/4" (44mm) & OVER	1-21/32" (42mm)

2

Installation

1. Template

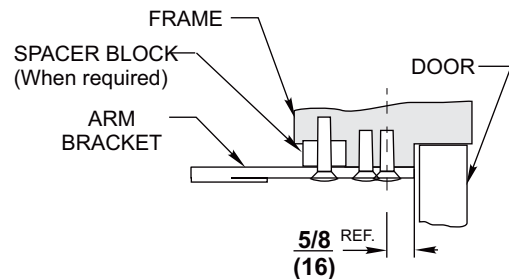
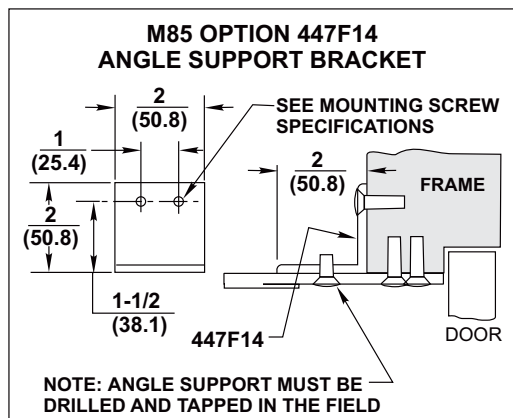
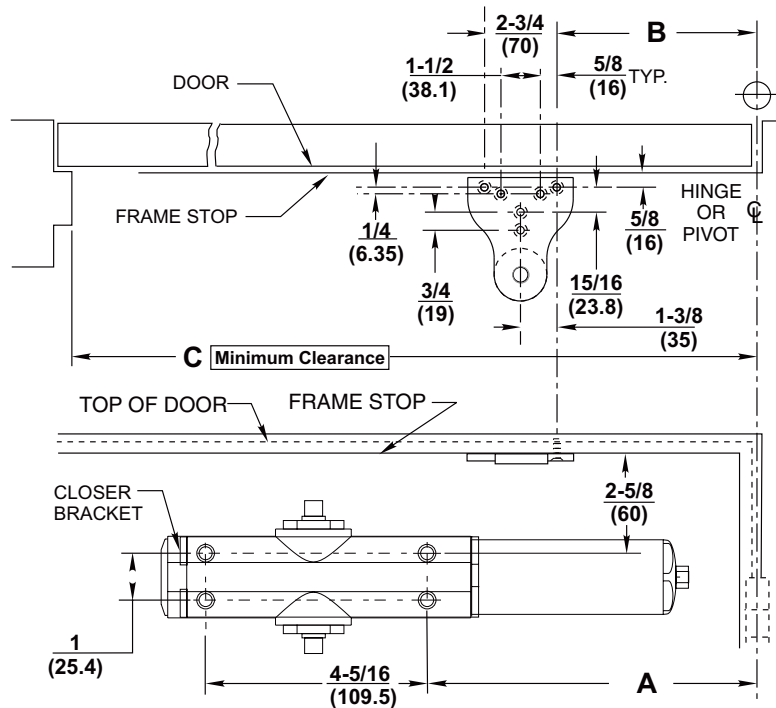
Mark and prepare door and jamb (for closer bracket and arm bracket). Use template and dimensions charted. (Figure 2)

NOTES:

- Check hand of door. (Figure 1)
- Right Hand Application Shown, Left Hand Opposite
- Dimensions given in inches (mm). Do Not Scale Drawing.
- Closer must be installed in a true horizontal plane to ensure proper closer performance.

Opening Maximum	DIM. A	DIM. B	DIM. C Minimum
85°	13-3/4" (349)	12-9/16" (319)	28-3/4" (730)
90°	12-13/16" (325)	11-5/8" (295)	27-7/8" (708)
100°	11-1/4" (286)	10-1/16" (256)	26-1/4" (667)
110°	9-15/16" (252)	8-3/4" (222)	25" (635)

Figure 2



DC3210 Series Closer

A2, A4 or A5 Heavy Duty Parallel Arm

Installation Instructions



ASSA ABLOY

2

Installation

2. Install Closer Bracket. (Figure 3)

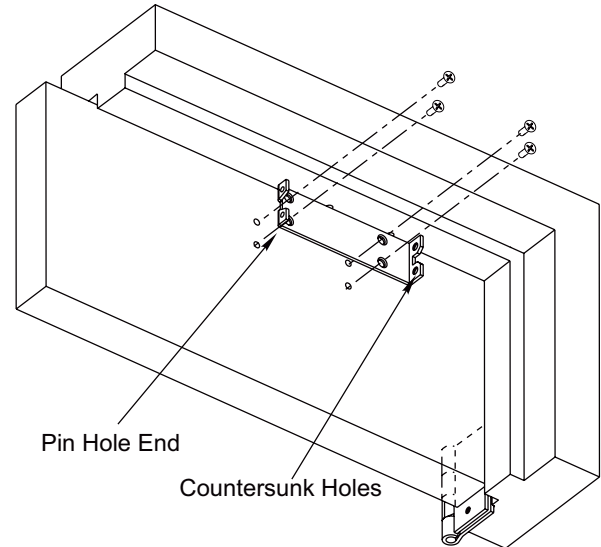


Figure 3

3. Mount Closer Body to Closer Bracket. (Figure 4)

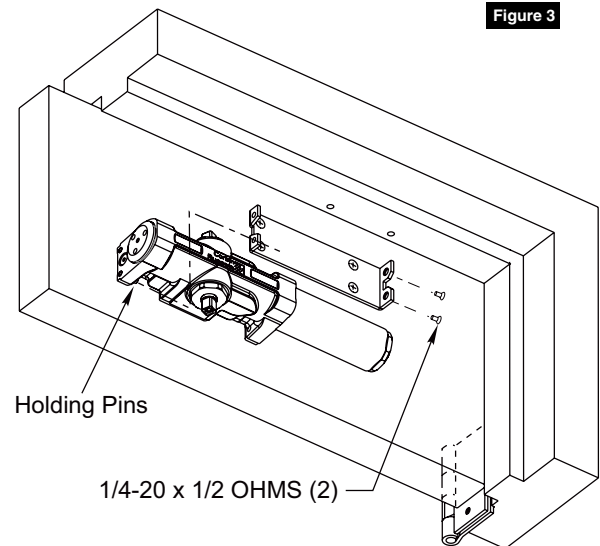


Figure 4

4. A4 & A5 Backstop Arms Only Arms shipped for Left Hand Door. To change handing: (Figure 5)

Remove Stop from Soffit with 5/32 Allen Wrench. Remove Filler Plug. Switch Stop and Filler Plug to opposite sides. Insert Stop and tighten. Push Filler Plug into hole.

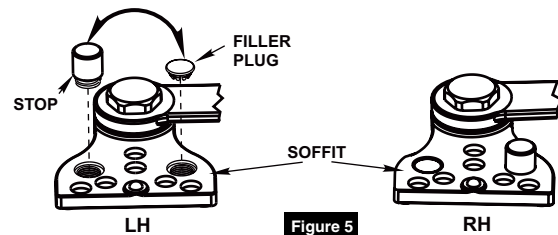
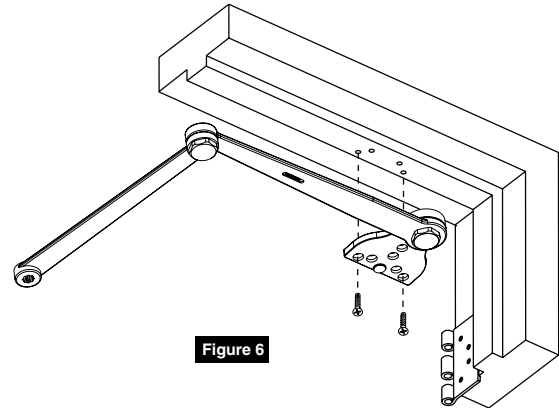


Figure 5

2

Installation

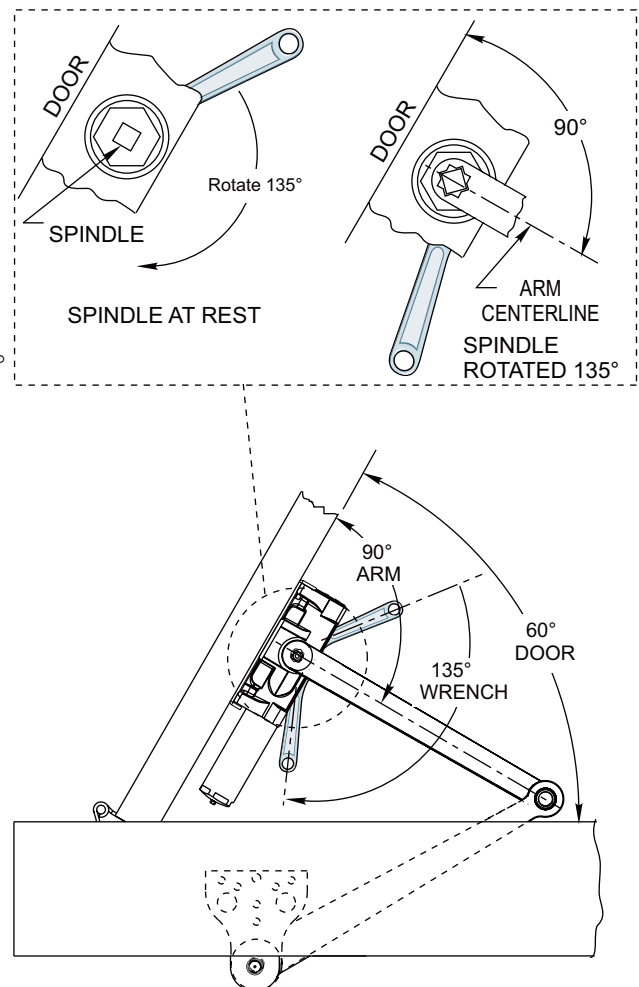
5. Mount Arm to Door Frame. (Figure 6)



6. Connect Arm To Closer. (Figure 7)

Using hex wrench provided, close (turn clockwise) CLOSING SPEED VALVE (see page 5 for location on closer). **DO NOT OVER TIGHTEN.**

- Open door to approximately 60°.
- Using wrench on underside of spindle, rotate spindle approximately 135° toward hinge edge of door.
- Install arm on spindle at an approximate 90° angle to door.
- Reopen CLOSING SPEED VALVE.
- Install and tighten arm washer and screw.



ALL ANGLES SHOWN ARE APPROXIMATE

Figure 7

DC3210 Series Closer

A2, A4 or A5 Heavy Duty Parallel Arm

Installation Instructions



ASSA ABLOY

3

Adjustments

Adjustments (Figure 8)

(3/32 Allen Wrench Provided)

Closing Speed Valve (Figure 9)

To adjust speed of door closing from fully open to a position 2 to 5" from closed, turn Closing Speed Valve **CLOCKWISE** to **SLOW** closing, **COUNTER-CLOCKWISE** to **SPEED** closing.

Latching Speed Valve (Figure 10)

After closing speed has been obtained, turn latching speed valve **CLOCKWISE** to **SLOW** latching or **COUNTER-CLOCKWISE** to **SPEED** latching for last 2" to 5" of door travel.

NOTE: Set combination of CLOSING and LATCHING speeds to between 3 and 7 seconds. Use of door by handicapped, elderly or small children, may require even greater closing time.

Backcheck Intensity Valve (Figure 9)

Turn valve **COUNTER-CLOCKWISE** to reduce backcheck or **CLOCKWISE** to increase backcheck. (Backcheck should be set to give a soft cushioning action, not a sudden stop).

Delayed Action Valve (Figure 9)

Turn valve **CLOCKWISE** to **SLOW** closing, **COUNTER-CLOCKWISE** to **SPEED** closing. Delayed action may be adjusted from 20 seconds to 90 seconds, depending on degree of door swing. Delay occurs at the beginning of the door closing cycle from fully open down to 70°, where the closing speed valve then begins its control.

Hold Open Operation (Figure 11) (A2 and A5 Arms only)

A quarter turn of the tee handle in either direction engages or disengages the hold open feature.

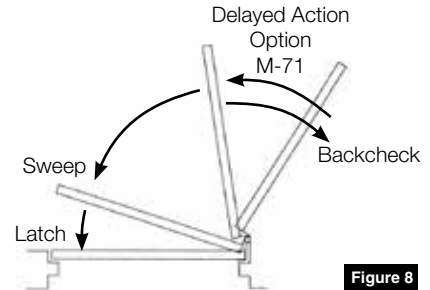


Figure 8

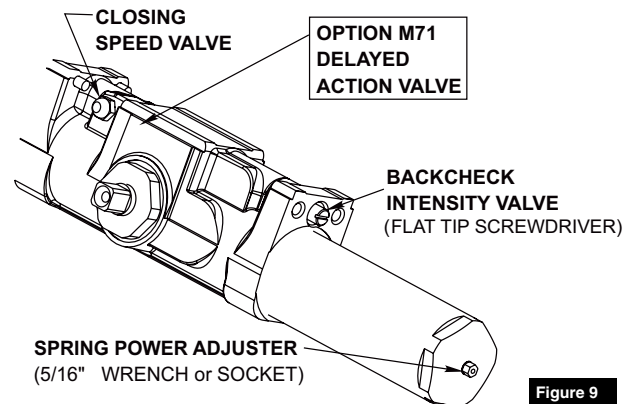


Figure 9

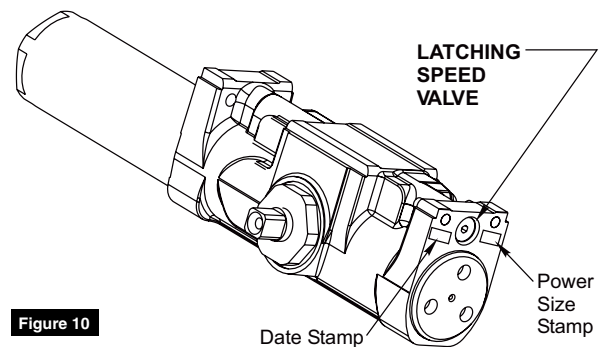


Figure 10

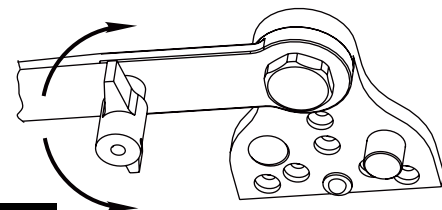


Figure 11

DC3210 Series Closer

A2, A4 or A5 Heavy Duty Parallel Arm



ASSA ABLOY

Installation Instructions

3

Adjustments

Adjust Spring Power According to Chart DC3200 Size 1-6 Adjustment (Figure 12)

- All DC3200 closers are factory set at an approximate Size 3.
- Adjust closer as necessary for door size using this chart.
- Readjustment may be required to suit prevailing conditions.

Size of Door			No. of Full (360°) Turns Clockwise of Power Adjuster	Equivalent Closer Size (Approx.)
Interior	Exterior In-Swinging	Exterior Out-Swinging		
2' 4" (712)	2' 6" (764)	-	4	2
2' 6" (764)	3' 0" (915)	-	8	3
3' 0" (915)	3' 6" (1067)	2' 6" (764)	12	4
3' 6" (1067)	4' 0" (1219)	3' 0" (915)	16	5

Figure 12

4

Cover Installation

Install Cover (Figure 13)

Slip cover over closer. Hold tightly against closer mounting surface. Secure on each side with 6-32 x 1/4 PBHMS screws.

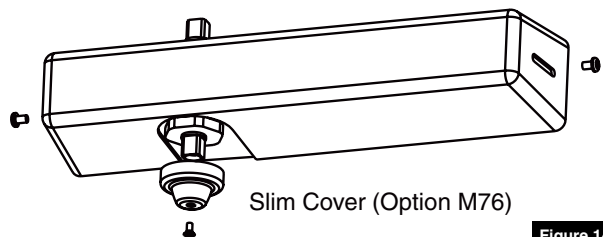


Full Cover (Standard)

Figure 13

Slim Cover Option M76 only (Figure 14)

Position spindle cap over unused spindle and secure with truss head screw.



Slim Cover (Option M76)

Figure 14

Corbin Russwin
225 Episcopal Road
Berlin, CT 06037
Phone: 800-543-3658
Fax: 800-447-6714
corbinrusswin.com

ASSA ABLOY is the global
leader in door opening solutions,
dedicated to satisfying
end-user needs for security,
safety and convenience

Copyright © 2018 Corbin Russwin, Inc., an ASSA ABLOY Group company.
All rights reserved. Reproduction in whole or in part without the express written
permission of Corbin Russwin, Inc. is prohibited.

Patent pending and/or patent: www.assaabloydss.com/patents

For installation assistance contact Corbin Russwin
1-800-543-3658 • techsupport.corbinrusswin@assaabloy.com