



DC460* x A1

DC461* x A1

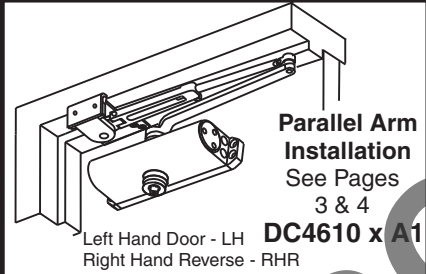
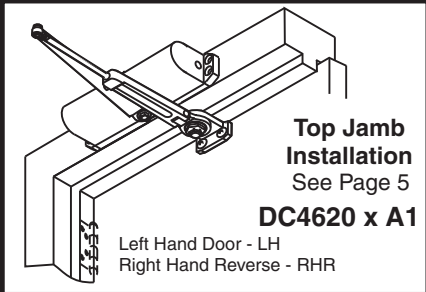
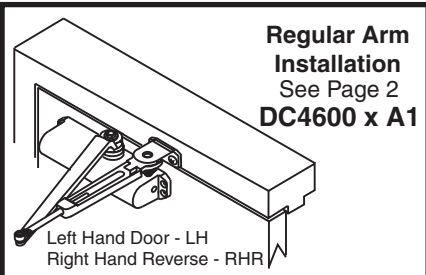
DC462* x A1

ASSA ABLOY

DC4600 x A1

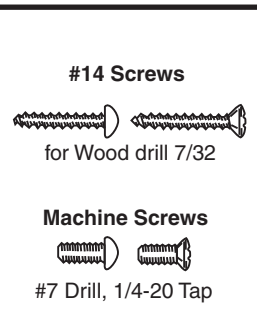
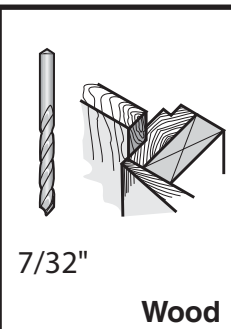
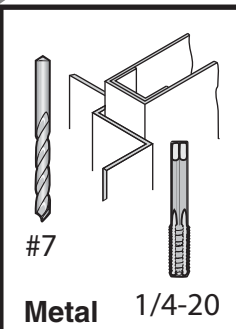
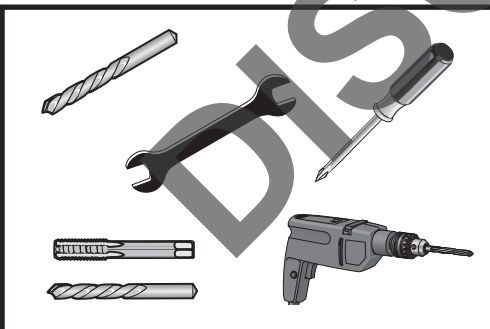
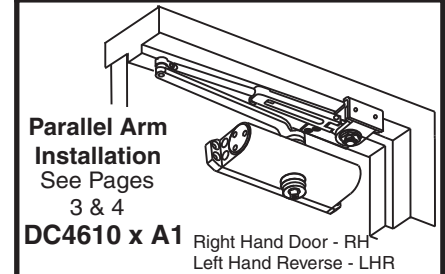
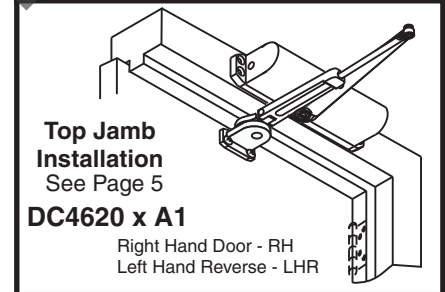
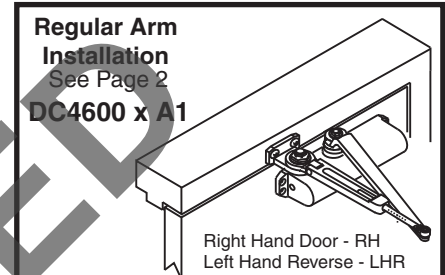
Non Handed Door Closer

CAUTION An Incorrectly installed or improperly adjusted door closer can cause property damage or personal injury. These installation instructions should be followed to avoid the possibility of misapplication or misadjustment. **CAUTION**

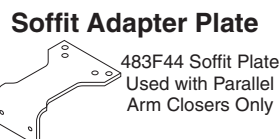
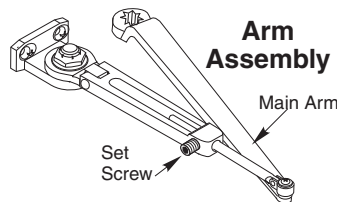
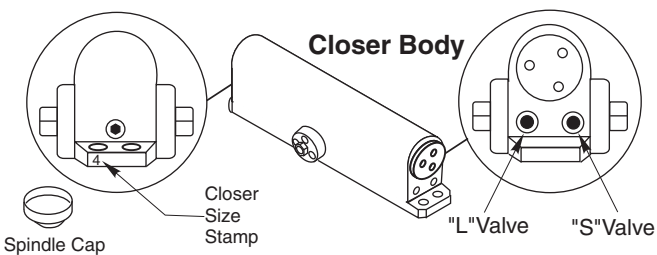


NOTE: For special applications a separate door and frame preparation template is packed with these instructions. Use this instruction sheet for installation sequence and closer adjustments only.

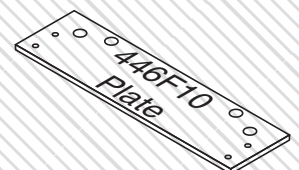
- Doors should be hung on ball bearing or anti-friction hinges.
- A separate door stop is recommended.
- Door and frame must be properly reinforced.
- Adjust closing time speed between 3 and 7 seconds from 90° to 0°.
- These door closers should NOT be installed on the exposed side (weather side) of exterior doors.



Standard Components



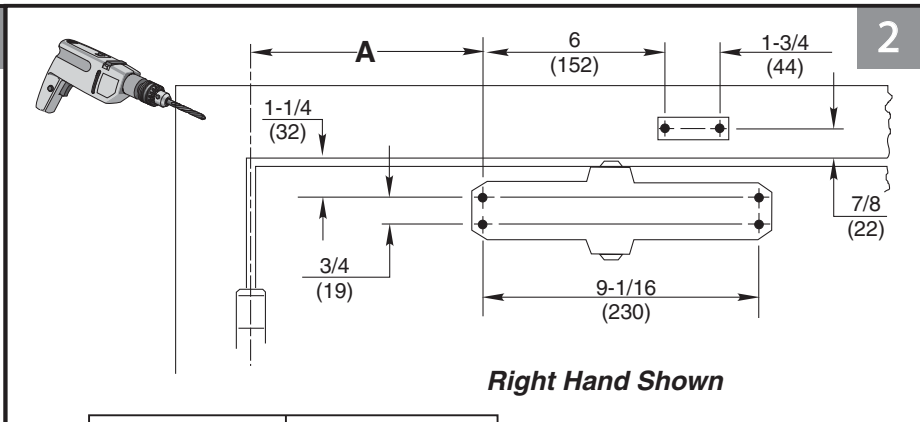
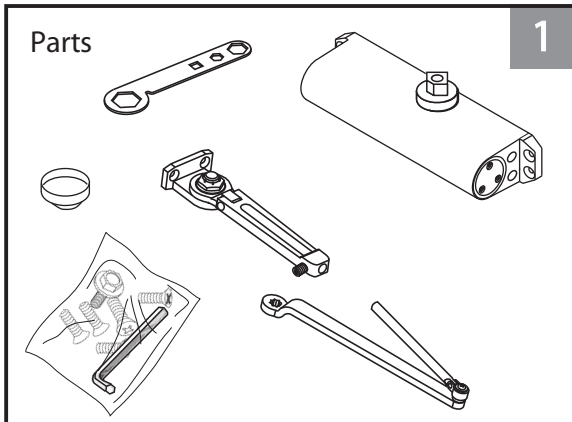
Optional Components



DC4600 x A1

Hold Open Door Closers — Regular Arm

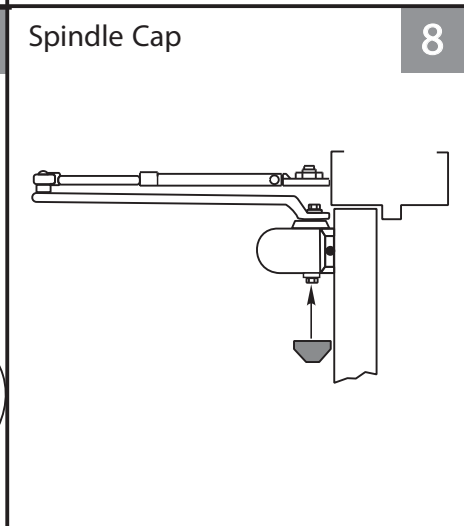
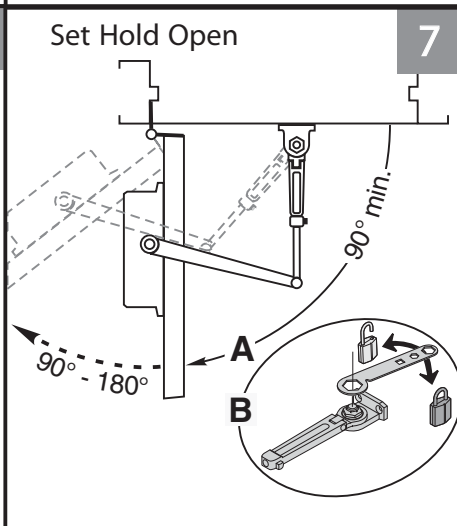
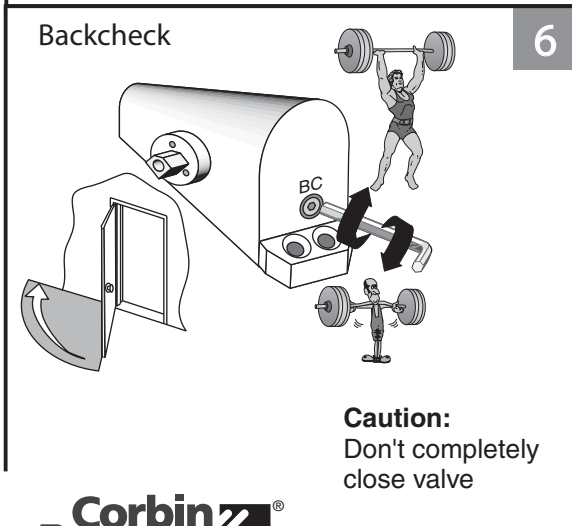
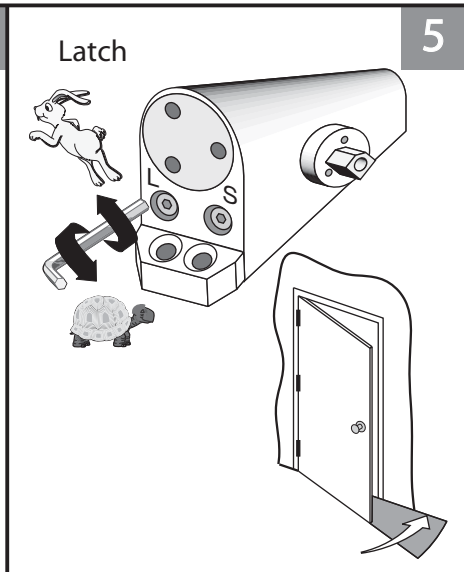
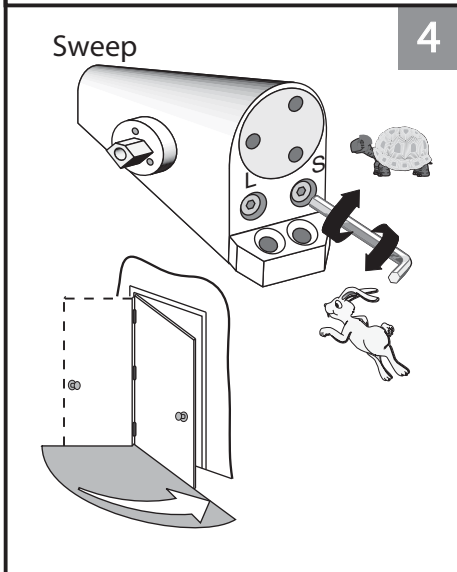
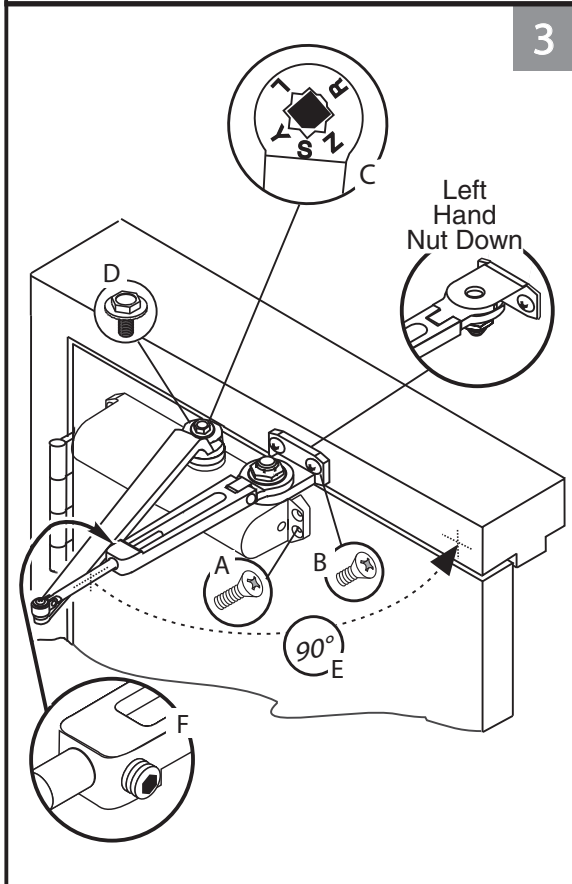
80-9340-1002-152 (02-09)



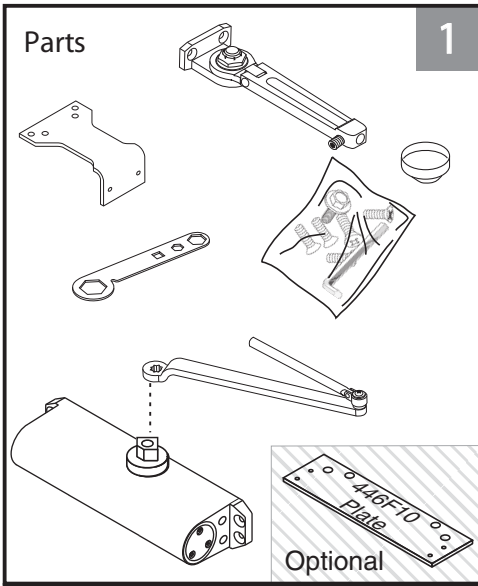
Opening	Dimension "A"
To 100°	$\frac{7}{(178)}$
101° to 120°	$\frac{6}{(152)}$
* 121° to 180°	$\frac{3-1/2}{(89)}$

Inches
(mm)

* Door/Wall/Hardware/Jamb conditions permitting



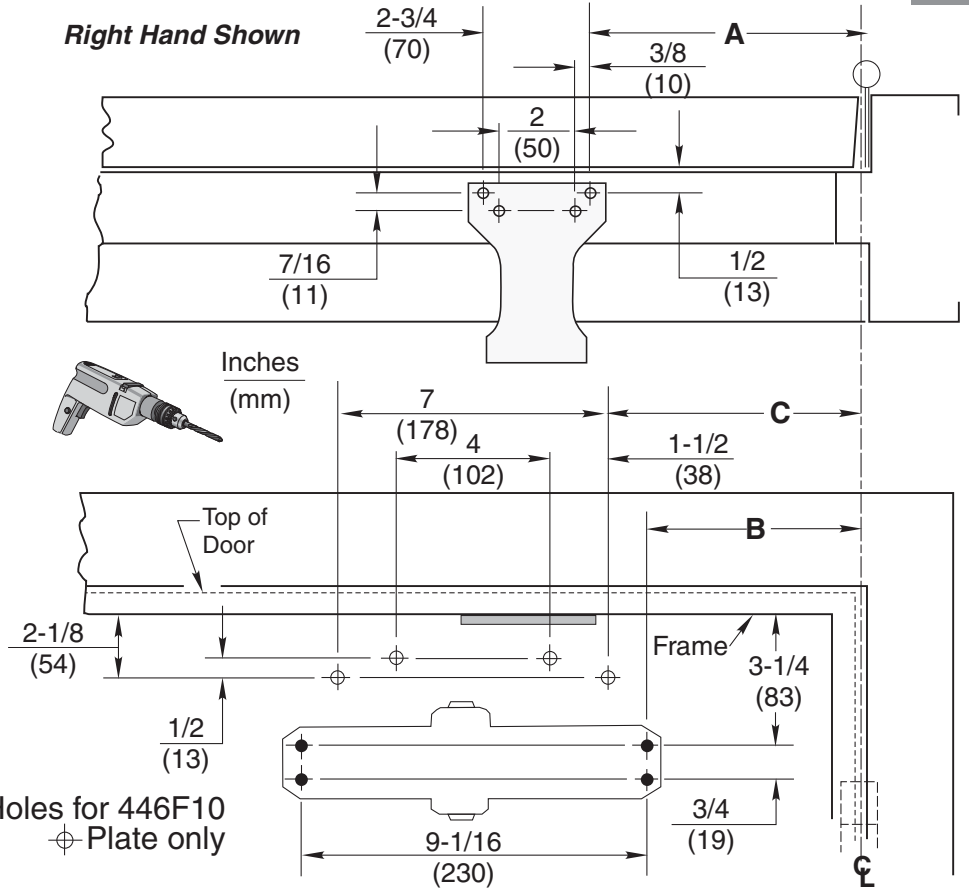
ASSA ABLOY



Door Opening	A	B	C
To 100°	9-1/4 (235)	7-5/8 (194)	8-5/8 (219)
101° to 130°	7-3/4 (197)	6-1/8 (156)	7-1/8 (181)
*131° to 180°	5-3/4 (146)	4-1/8 (105)	5-1/8 (130)

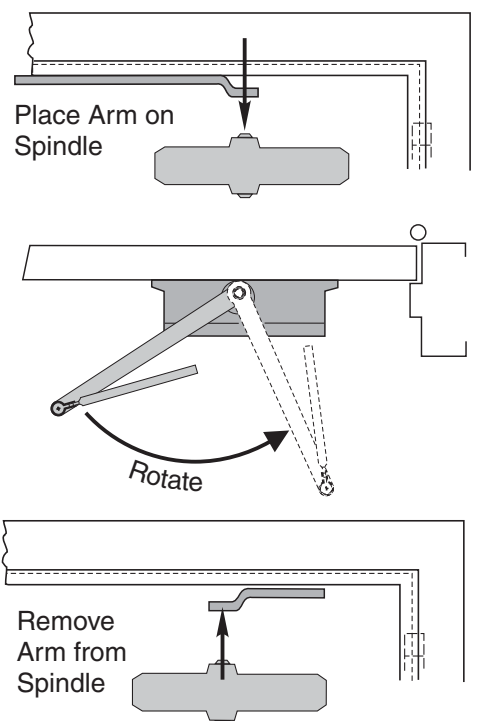
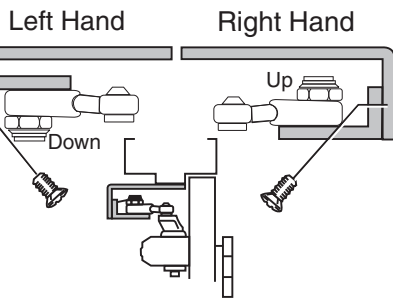
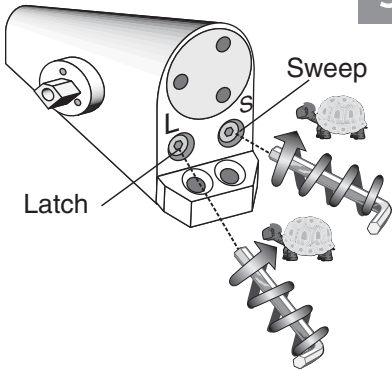
* Door/Wall/Hardware/Jamb conditions permitting

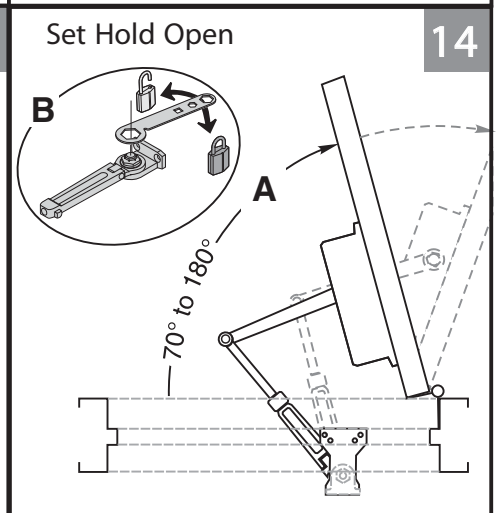
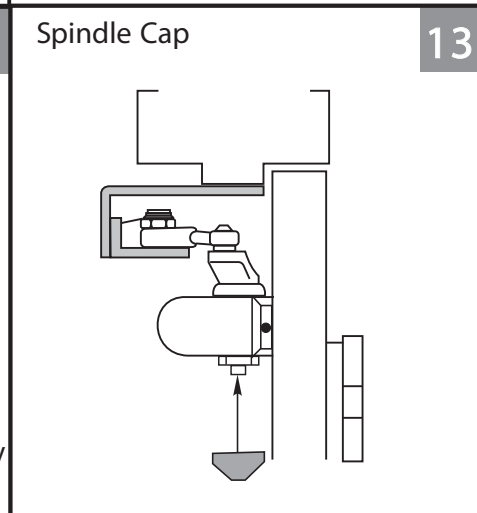
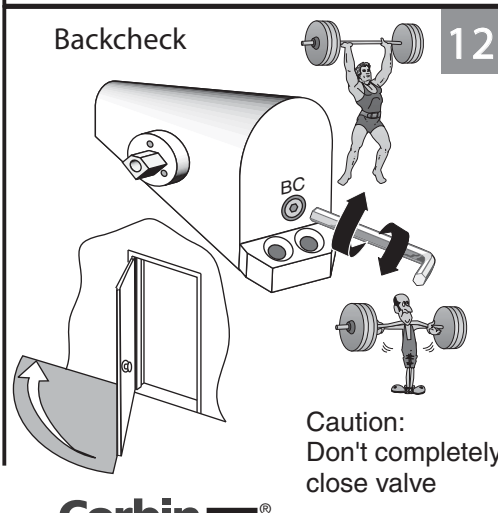
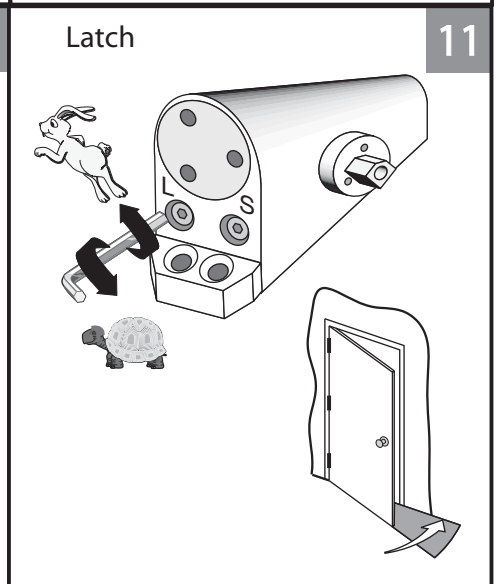
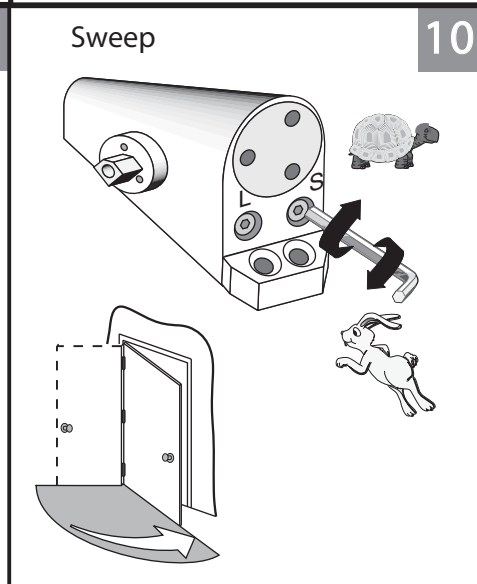
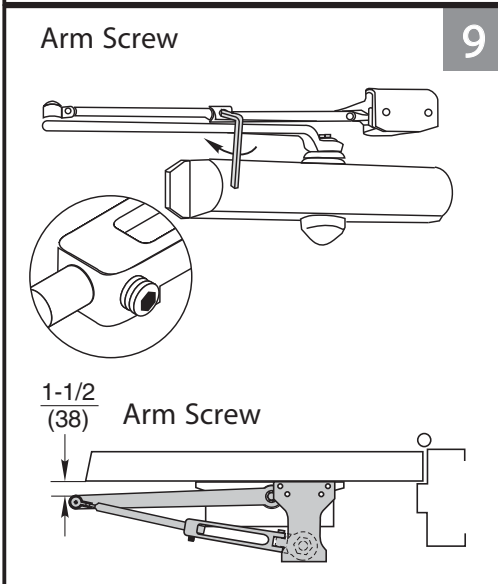
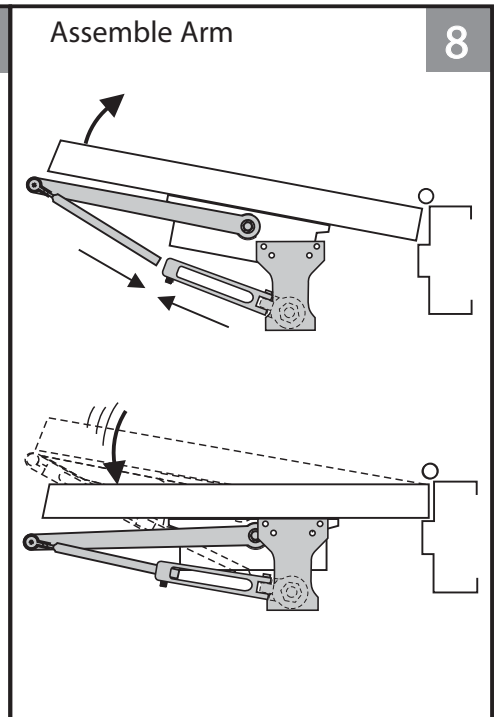
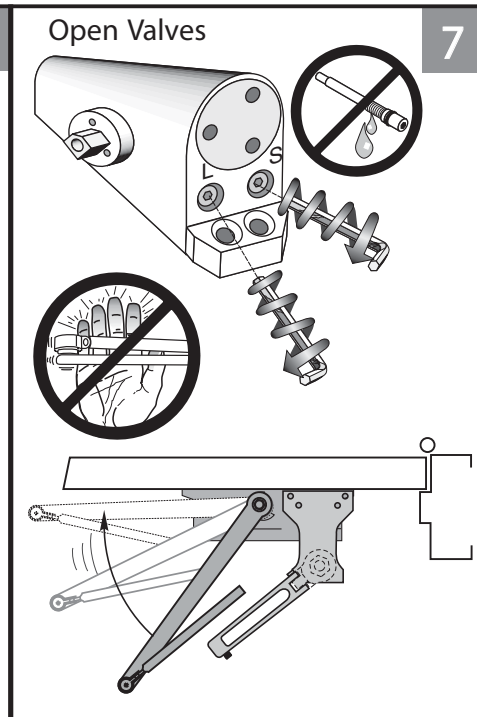
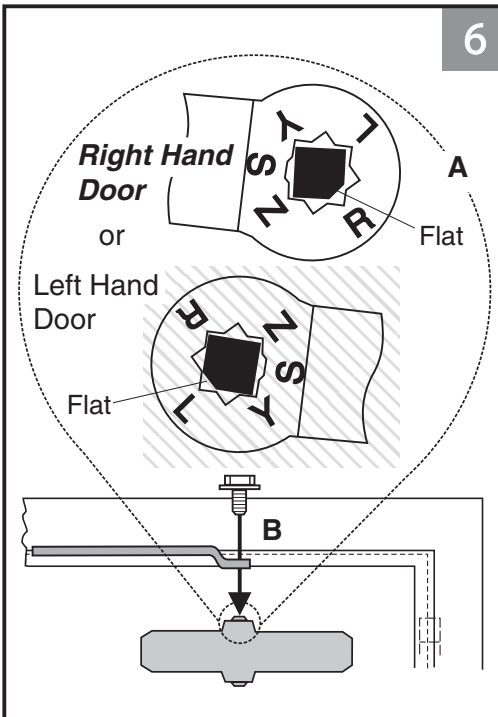
Right Hand Shown

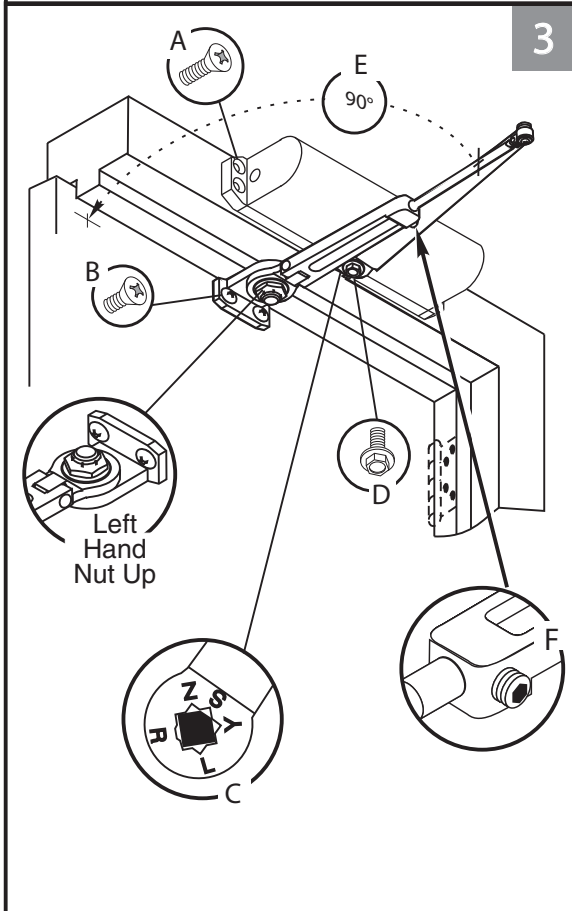
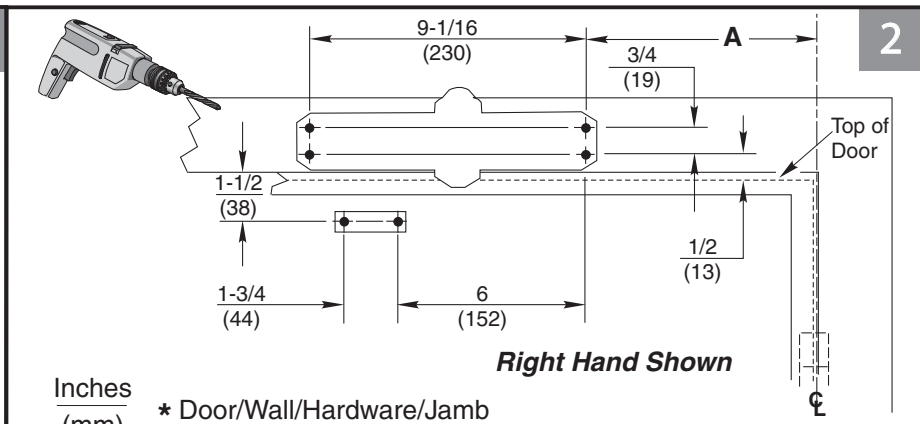
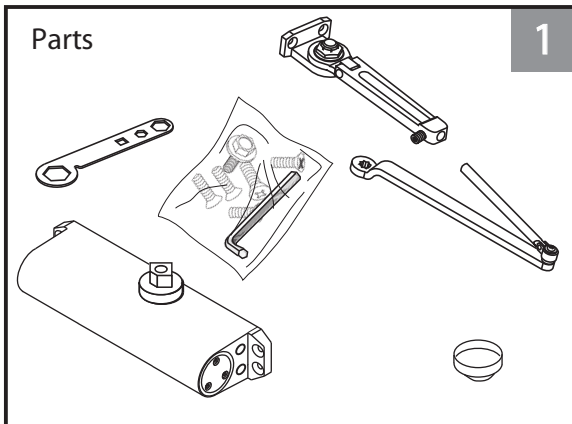


3

Close Valves



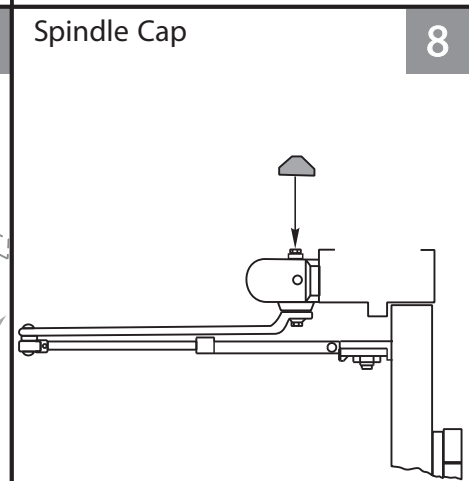
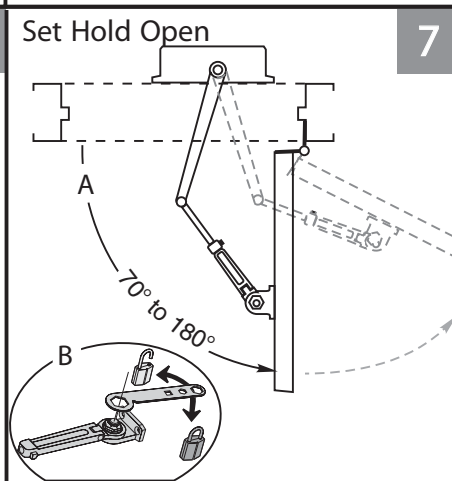
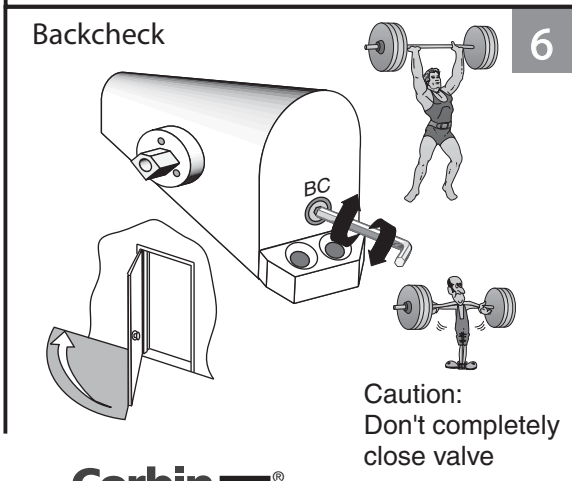
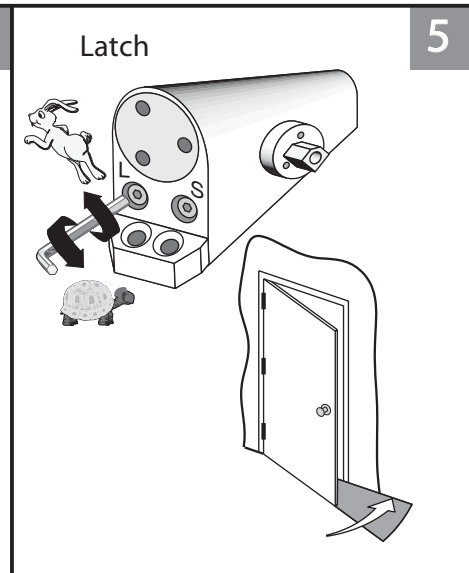
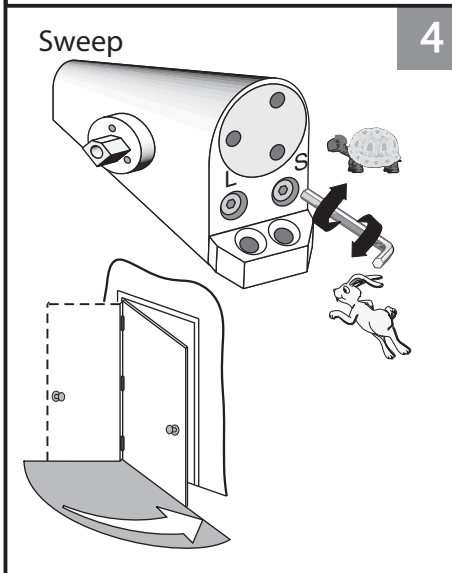
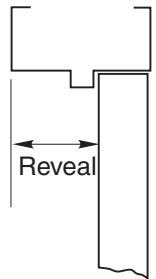




Inches (mm) * Door/Wall/Hardware/Jamb conditions permitting

Opening	Dimension "A"
To 100°	7-1/2 (191)
101° to 120°	6 (152)
*121° to 180°	3-1/2 (89)

A longer connecting rod is required for reveals greater than 3" (76)



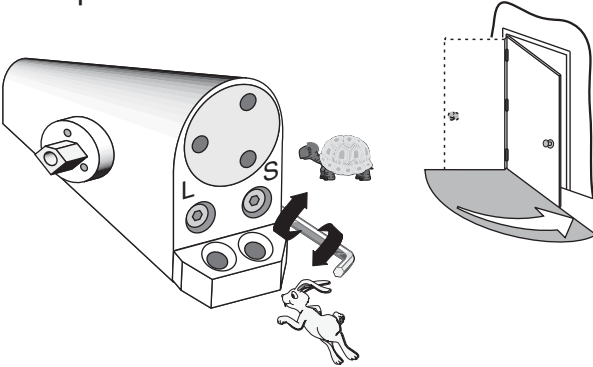
DC4600 x A1 Adjustments Page

80-9340-1002-152 (02-09)

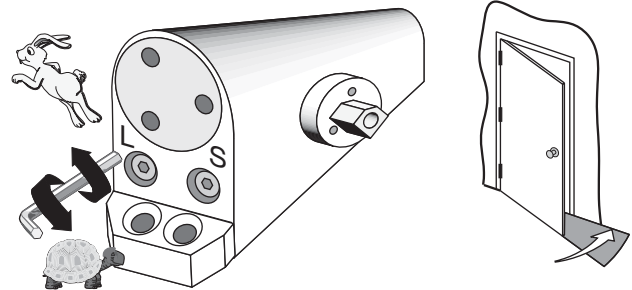
Copyright© 2004, 2008 Corbin Russwin, Inc., an ASSA ABLOY Group company. All rights reserved.
Reproduction in whole or in part without the express written permission of Corbin Russwin, Inc. is prohibited.

ASSA ABLOY, the global leader in door opening solutions

Sweep

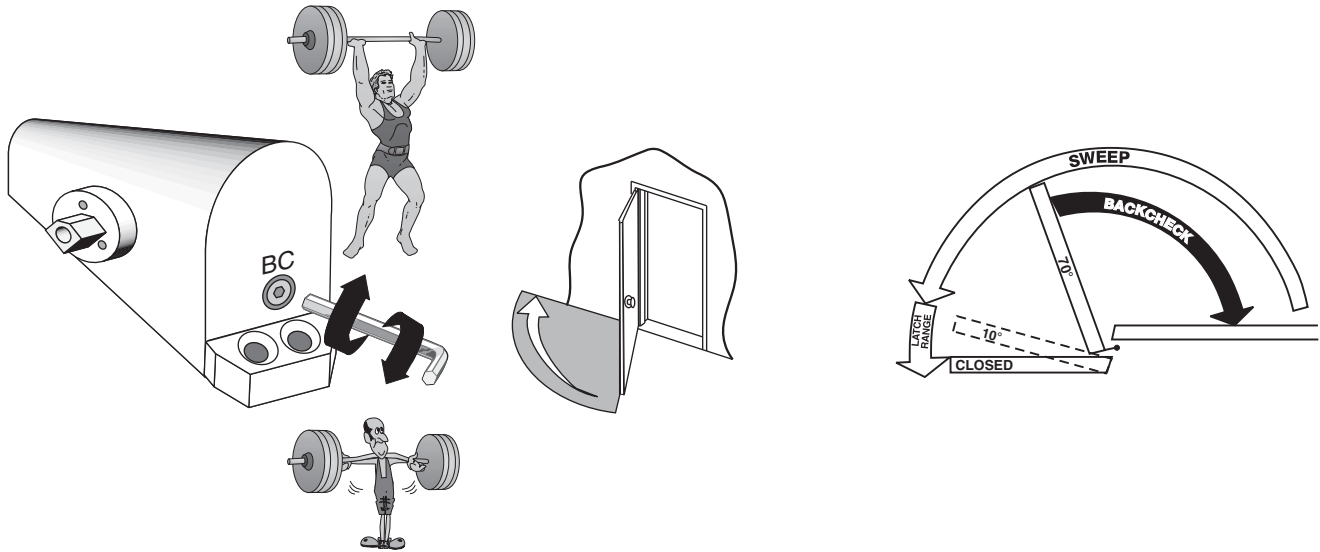


Latch

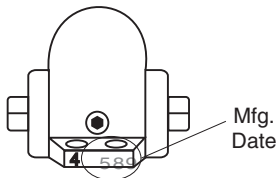


(Use 1/8" Hex Wrench for these Adjustments)

Backcheck



To identify your model:



- 2=DC4602 x A1
- 3=DC4603 x A1
- 4=DC4604 x A1
- 5=DC4605 x A1

To Set Hold Open

Open Door to Desired Angle

Use 1" Wrench

