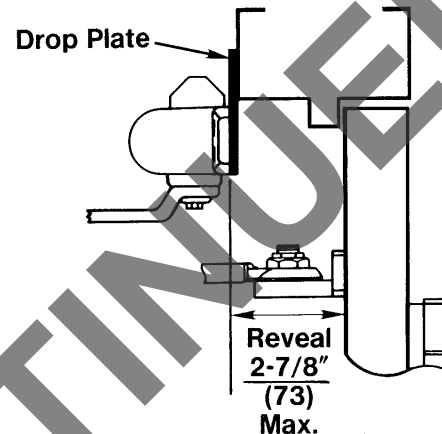
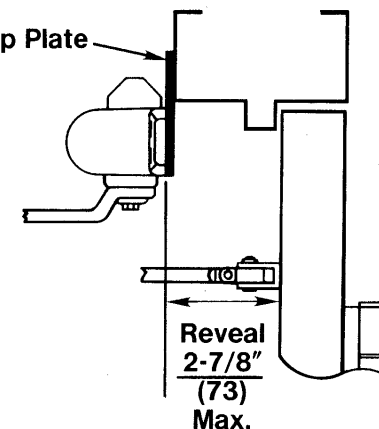


Hold Open



Non Hold Open



Notes:

- Do not scale drawing.
- Left hand door shown.
- Dimensions are in inches and millimeters.

Opening	Dim. A
To 100°	8 (203)
101° to 120°	6-1/2 (165)
*121° to 180°	4 (102)
*Door/Wall/Hardware Conditions Permitting.	

Door swing may be limited by door, frame, wall or hardware conditions. Hollow-metal doors require channel or box-type reinforcement when thru-bolt mount is specified. Sex-bolts required for wood or plastic faced fire-door mounting. Minimum thickness recommended for reinforcements in hollow-metal doors and frames: .1046" (2.66mm.) unless otherwise noted.

Fastener Chart

	Fasteners		Drill Sizes	
	Fasteners	Door or Frame	Drill Sizes	
Standard	1/4-20 Screws	Metal	#7(.201"dia.) tap: 1/4-20	
	14-10 Screws	Wood	7/32"(5.54mm.)	
Optional	Sex nuts and bolts	Hollow metal	9/32"(7.00mm.) through 3/8"(9.5mm.) door face opposite to closer	
		Aluminum or Wood	3/8"(9.50mm.) through	
	Through bolts and grommet nuts	All	9/32"(7.00mm.) through 3/8"(9.50mm.) dia x 3/8"(10mm.) deep, door face opposite to closer	

DC4620 SERIES
SURFACE DOOR CLOSER
TOP JAMB MOUNTING BY PLATE



TEMPLATE NUMBER

T30669

DATE

6-97