

NOTES:

1. Do not scale drawing.
2. All dimensions are given in inches (mm).
3. Right hand door shown.
4. Door hanging means: Standard 4", 4-1/2", 5" Butt Hinges or Swing Clear Hinges or 3/4" Offset Pivots.
5. Other hanging means require special installation instructions. Contact factory.
6. For 90° Hold Open – 3-3/8" (85.7) clearance required between pull side of door and wall.

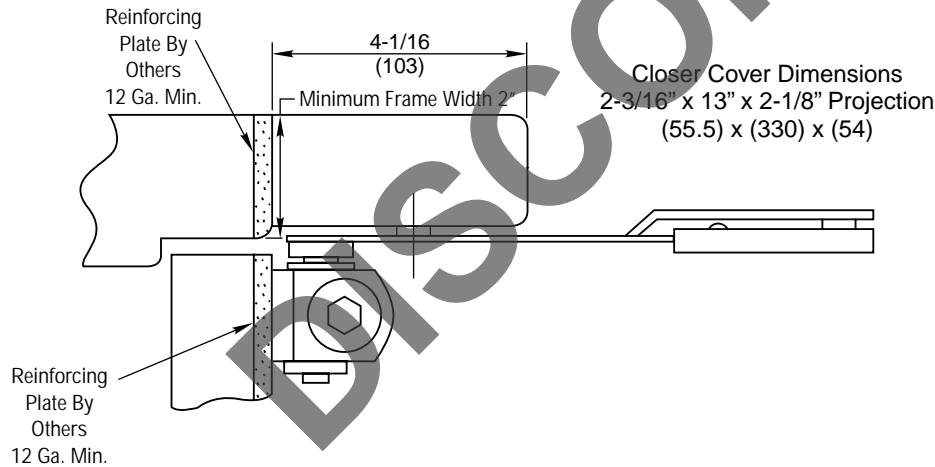
Swing Clear – 135° Max.

Butt Size (W)	Maximum Opening	
	Flush	1/8" Reveal
4-1/2	150°	145°
5	170°	165°
6	180°	175°

Determine Hold Open Degree and Select "B" and "C" Dimensions Below

H.O. Range	B	C
85° – 135°	4-1/2 (114.3)	11-1/2 (292)
130° – 180°	2-1/2 (63.5)	9-1/4 (235)

CAUTION: Do not exceed 135° in 85° – 135° range "B" and "C" taken from centerline of butts or pivots.



Safeguard Without Detector
DC46920
Pull Side Mounting
85° Thru Maximum Degree Hold Open



Do Not Scale Drawing

Supersedes T30660 Dr. App.

Date 4-01 Template Number T30660-1