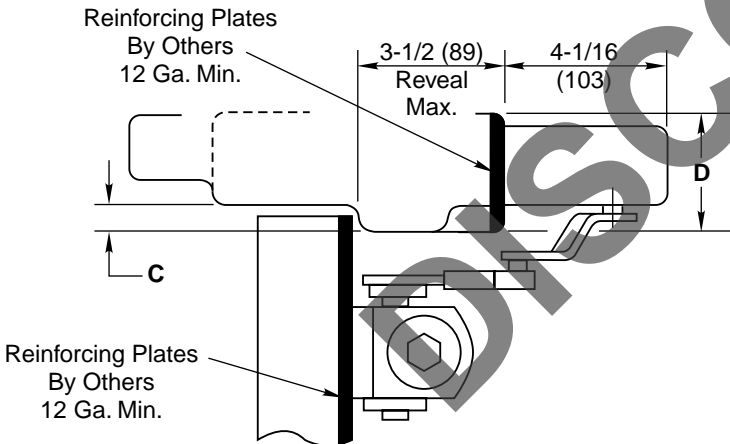


Stop Dim	B
1/2 (12.7)	2-5/16 (59)
5/8 (16)	2-7/16 (62)
3/4 (19)	2-9/16 (65)



Closer Cover Dimensions
2-3/16" x 13" x 2-1/8" Projection
(55.5) x (330) x (54)

C	D
1/2 (12.7)	2-1/2 (63.5)
5/8 (16)	2-5/8 (67)
3/4 (19)	2-3/4 (70)

NOTES:

1. Do not scale drawing.
2. All dimensions are given in inches (mm).
3. Right hand door shown.
4. Door hanging means: Standard 4", 4-1/2", 5" Butt Hinges or 3/4" Offset Pivots.
5. Other hanging means require special installation instructions. Contact factory.

**Safeguard With Detector
DC46935
Push Side Mounting
85° Thru Maximum Degree Hold Open**



Do Not Scale Drawing

Supersedes T30662 Dr. App.

Date 4-01 Template Number T30662-1