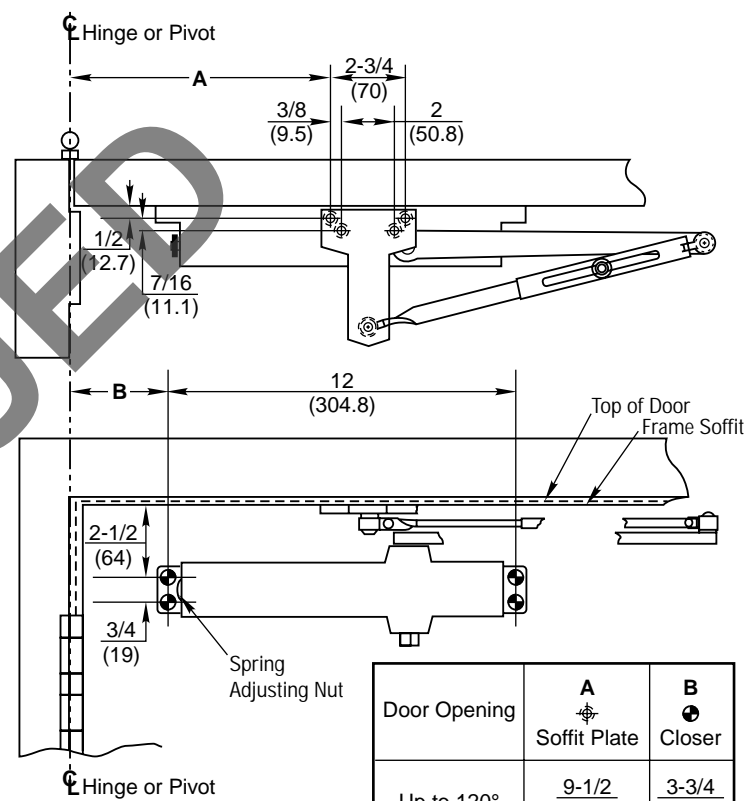


Determine Hold Open Degree and Select "B" and "C" Dimensions Below

H.O. Range	B	C
85° - 135°	8-1/8 (206)	11-1/2 (292)
130° - 180°	6-1/8 (156)	9-1/4 (235)

CAUTION: Do not exceed 135° in 85° - 135° range "B" and "C" taken from centerline of butts or pivots.

- NOTES:
1. Do not scale drawing.
 2. All dimensions are given in inches (mm).
 3. Right hand door shown.
 4. Door hanging means: Butt Hinges, Swing Clear Hinges or 3/4" Offset Pivots.
 5. Other hanging means require special installation instructions. Contact factory.



Door Opening	A Soffit Plate	B Closer
Up to 120°	9-1/2 (241)	3-3/4 (98)
121° - 180°	6-7/8 (175)	1-1/4 (32)

- NOTES:
1. Do not scale drawing.
 2. All dimensions are given in inches (mm).
 3. Left hand door shown.
 4. Hollow metal doors require channel or box type reinforcement when thru bolt mount is specified.
 5. Minimum thickness recommended for reinforcements in hollow metal doors and frames: .1046" (2.66mm) unless otherwise noted.
 6. Prepare all mounting holes for:
 - 1/4-20 Machine Screws
 - No. 14 Wood Screws or
 - Optional 3/8 (9.5mm) Sex-Nuts

Safeguard With Detector
DC46938
Holder Pull Side/Closer Push Side
85° Thru Maximum Degree Hold Open



Do Not Scale Drawing		
Supersedes	T30664	Dr. App.
Date	4-01	Template Number T30664-1