

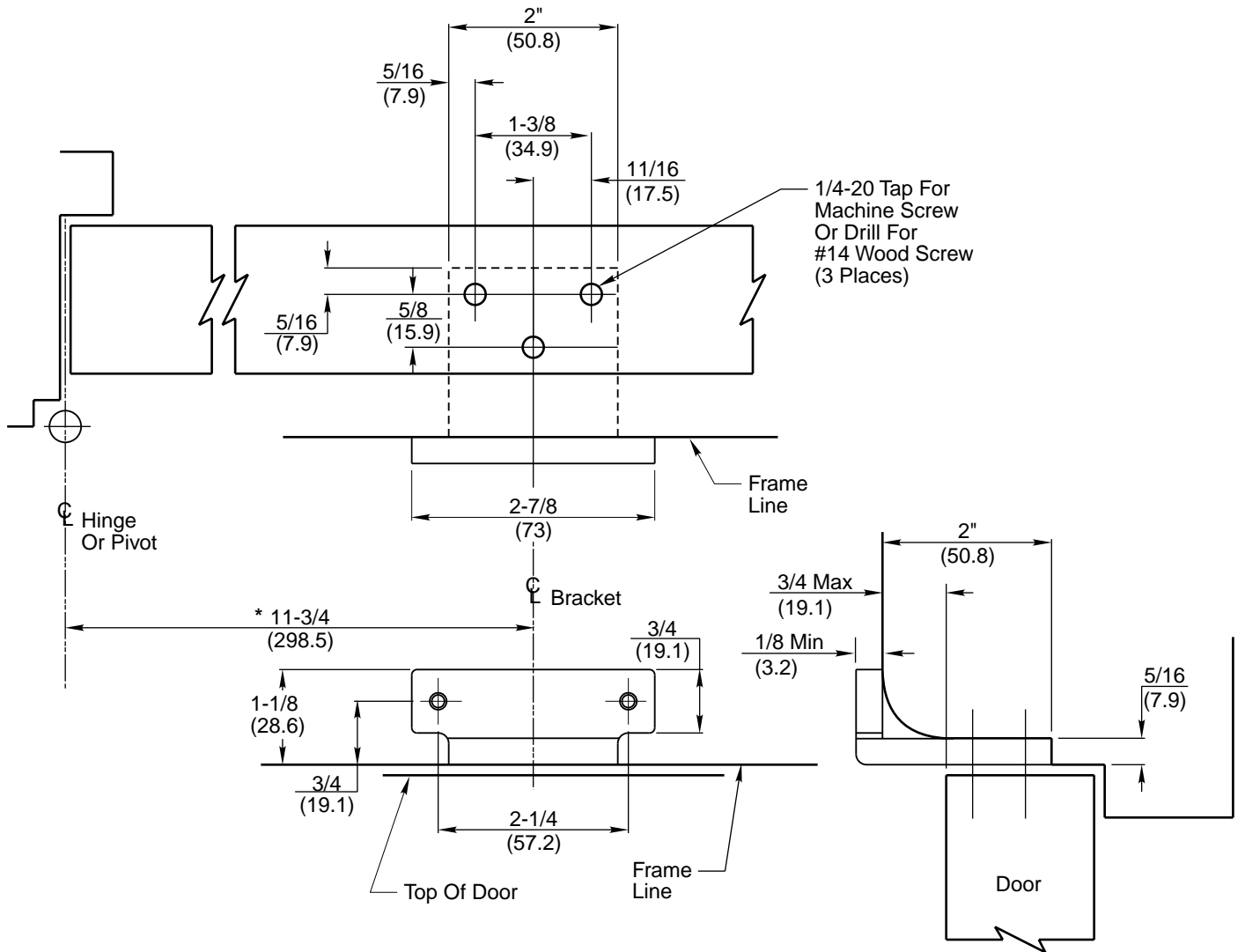
MOUNTING INFORMATION

Sex nuts or through bolts are required for wood and plastic covered composite doors, and any type of door without reinforcements and recommended for wood core and metal clad (Kalamein) type doors.

RH SHOWN
LH OPPOSITE

NOTES:

1. See template T30703 for positioning of door closer body on door.
2. To obtain extra closing force, add 3" (76.2) to this dimension marked by asterisk (*). This will limit degree of door opening to 110°.
3. Dimensions given in inches and (mm).



RESPONSIBILITY

Door and Frame Manufacturers are responsible for providing adequate construction or reinforcements for proper installation of hardware shown. All architectural builders hardware must be installed on properly reinforced doors and frames, regardless of the type, material, or method of construction.

DC6200 Series x M84
DC6400 Series x M84

Surface Door Closer
Regular Mounting
(with or without A1)

Corbin Russwin®

Do Not Scale Drawing

Supersedes _____ Dr. _____ App. _____

Date 06-04

Template Number T30721