

**MOUNTING INFORMATION**

Sex nuts or through bolts are required for wood and plastic covered composite doors, and any type of door without reinforcements and recommended for wood core and metal clad (Kalamein) type doors.

**RH SHOWN  
LH OPPOSITE**

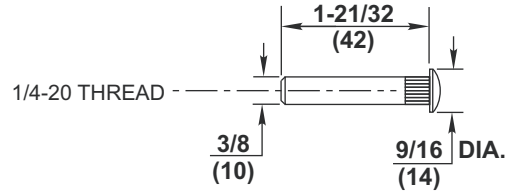
**CAUTION:** Closer To Be Installed In A True Horizontal Position To Ensure Proper Closer Performance.

**NOTES:**

1. Dimensions "A" & "B" apply to centerline of hinge/pivot for butt hinges, offset pivots, or center pivots.
2. Dimensions given in inches and (mm).
3. Minimum Top Rail: 2 (51)
4. Auxiliary door stop required, by others.

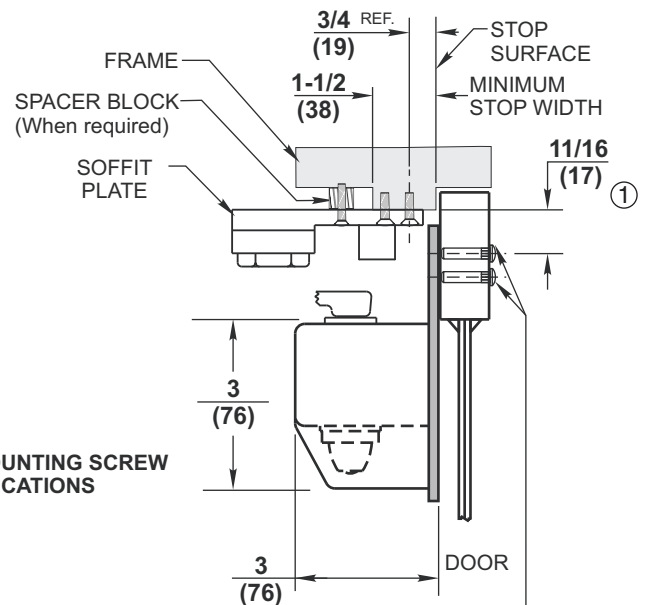
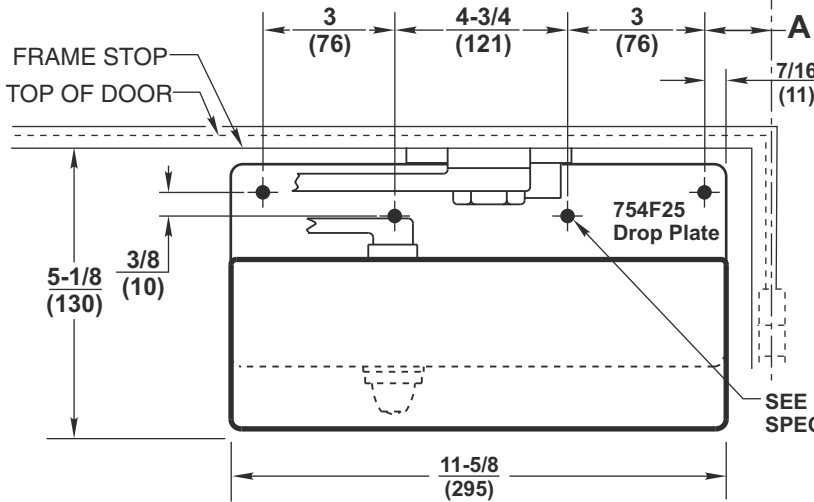
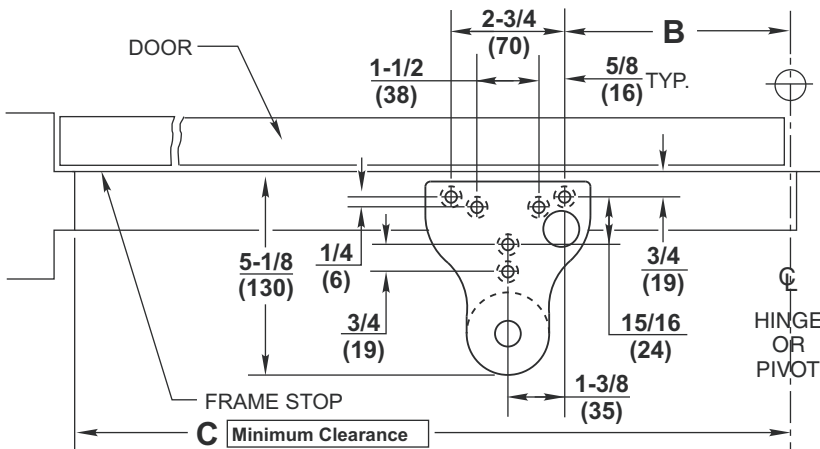
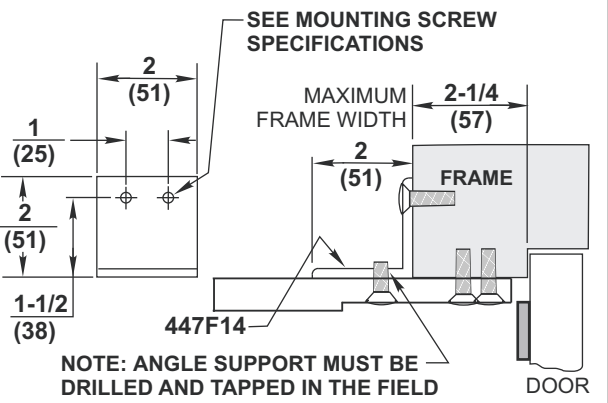
**MOUNTING SCREW SPECIFICATIONS  
ARM AND QUIK-INSTALL™ BRACKET**

#1/4-14 self-drilling screw. } Sex nuts, furnished  
1/8 (3) diameter pilot hole } when ordered  
required for Wood } Applications.



MAXIMUM OPENING	A Drop Plate	B Soffit Bracket	C Clearance
85°	8-3/16 (208)	12-9/16 (319)	28-3/8 (721)
90°	7-1/4 (184)	11-5/8 (295)	27-1/2 (699)
100°	5-11/16 (144)	10-1/16 (256)	26 (660)
110°	4-3/8 (111)	8-3/4 (222)	25-5/8 (651)

**M85 OPTION 447F14  
ANGLE SUPPORT BRACKET**



Drill thru 9/32 (7) Enlarge to 3/8 (10) Dia. This Side Only (4 Places)

**RESPONSIBILITY**

DOOR AND FRAME MANUFACTURERS ARE RESPONSIBLE FOR PROVIDING ADEQUATE CONSTRUCTION OR REINFORCEMENTS FOR PROPER INSTALLATION OF HARDWARE SHOWN. ALL ARCHITECTURAL BUILDERS HARDWARE MUST BE INSTALLED ON PROPERLY REINFORCED DOORS AND FRAMES, REGARDLESS OF TYPE, MATERIAL, OR METHOD OF CONSTRUCTION.

DC6210 Series x A2/A4/A5  
DC6410 Series x A2/A4/A5  
and Plate 597F58/188F65

Heavy Duty Parallel Arm Mounted  
Surface Door Closer with  
Backstop and Drop Plate

**Corbin  
Russwin®**  
**ASSA ABLOY**

www.corbinrusswin.com

SUPERSEDES T30722 DO NOT SCALE DRAWING  
TEMPLATE NUMBER T30722-1 DATE 04-10