

**MOUNTING INFORMATION**


Sex nuts or through bolts are required for wood and plastic covered composite doors, and any type of door without reinforcements and recommended for wood core and metal clad (Kalamein) type doors.

RH SHOWN  
LH OPPOSITE

**CAUTION:** Closer To Be Installed In A True Horizontal Position To Ensure Proper Closer Performance.

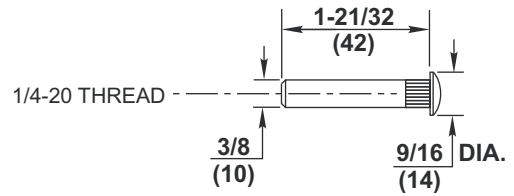
**NOTES:**

- Dimensions "A" & "B" apply to centerline of hinge/pivot for butt hinges, offset pivots, or center pivots.
- Dimensions given in inches and (mm).
- Minimum Top Rail: 2 (51)
- Auxiliary door stop required, by others.

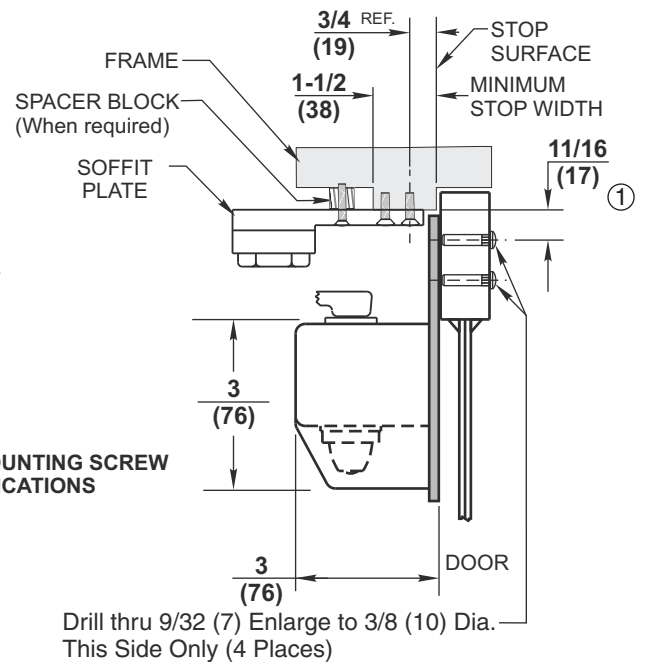
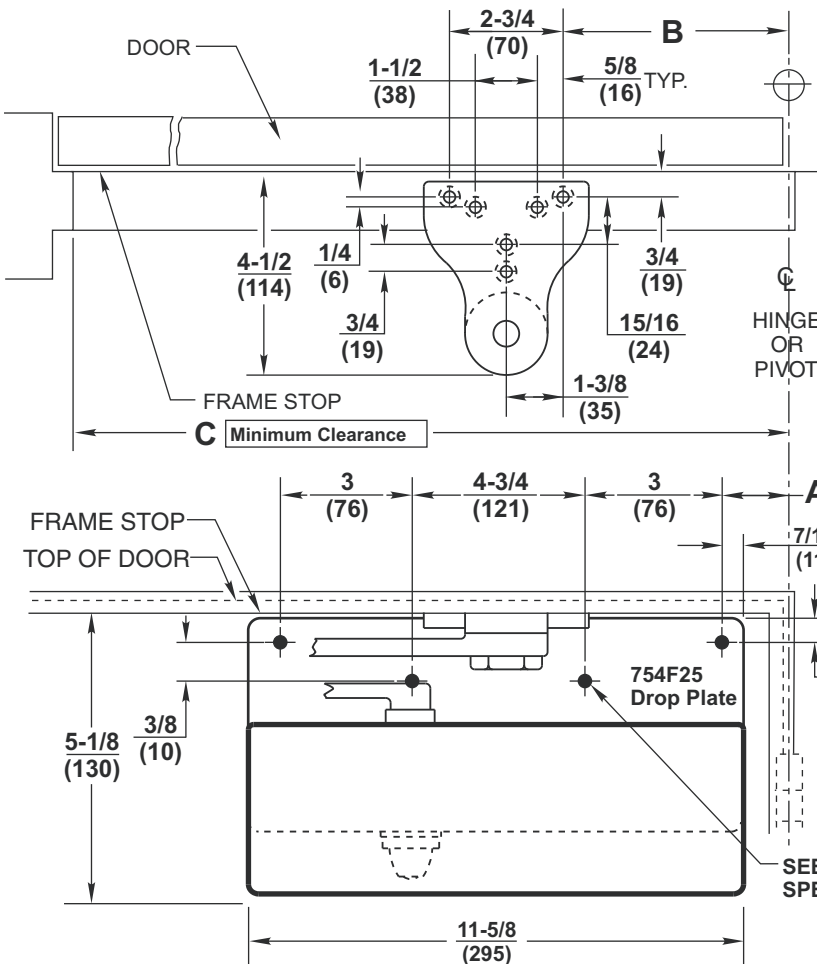
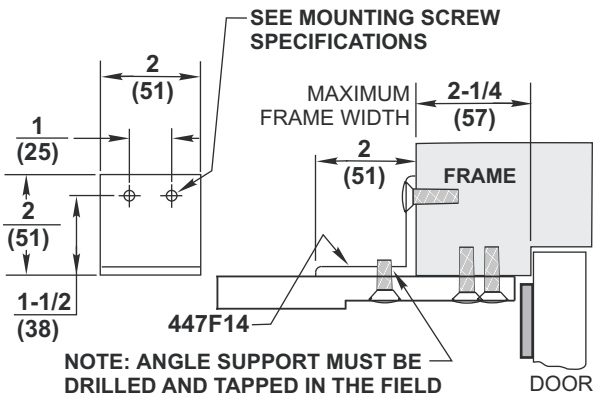
MAXIMUM OPENING	Application	A Drop Plate	B Soffit Bracket	C Clearance
90°	NON A.D.A.	7-1/4 (184)	11-5/8 (295)	27-1/2 (699)
180°		3-3/16 (81)	7-9/16 (192)	23-7/16 (595)

**MOUNTING SCREW SPECIFICATIONS**  
ARM AND QUIK-INSTALL™ BRACKET

#1/4-14 self-drilling screw.  
1/8 (3) diameter pilot hole required for Wood Applications. } Sex nuts, furnished when ordered



**M85 OPTION 447F14**  
ANGLE SUPPORT BRACKET



**RESPONSIBILITY**

DOOR AND FRAME MANUFACTURERS ARE RESPONSIBLE FOR PROVIDING ADEQUATE CONSTRUCTION OR REINFORCEMENTS FOR PROPER INSTALLATION OF HARDWARE SHOWN. ALL ARCHITECTURAL BUILDERS HARDWARE MUST BE INSTALLED ON PROPERLY REINFORCED DOORS AND FRAMES, REGARDLESS OF TYPE, MATERIAL, OR METHOD OF CONSTRUCTION.

DC6210 Series x A3 x597F58/188F65  
DC6410 Series x A3 x 597F58/188F65

Heavy Duty Parallel Arm Mounted  
Surface Door Closer with  
597F58/188F65 Drop Plate

**Corbin  
Russwin**  
**ASSA ABLOY**

www.corbinrusswin.com

SUPERSEDES	T31112	DO NOT SCALE DRAWING
TEMPLATE NUMBER	T31112-1	DATE 04-10