

MOUNTING INFORMATION

Sex nuts or through bolts are required for wood and plastic covered composite doors, and any type of door without reinforcements and recommended for wood core and metal clad (Kalamein) type doors.

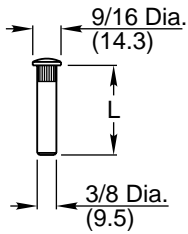
RH SHOWN
LH OPPOSITE

CAUTION: CLOSER TO BE INSTALLED IN A TRUE HORIZONTAL POSITION TO ENSURE PROPER CLOSER PERFORMANCE.

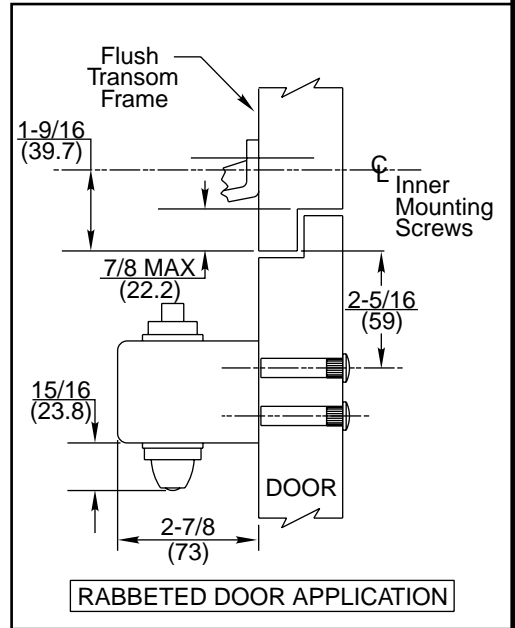
Door Thickness	Sex Nut Length "L"
1-3/8 (35)	1-9/32 (33)
1-3/4 (44) & over	1-21/32 (42)

NOTES:

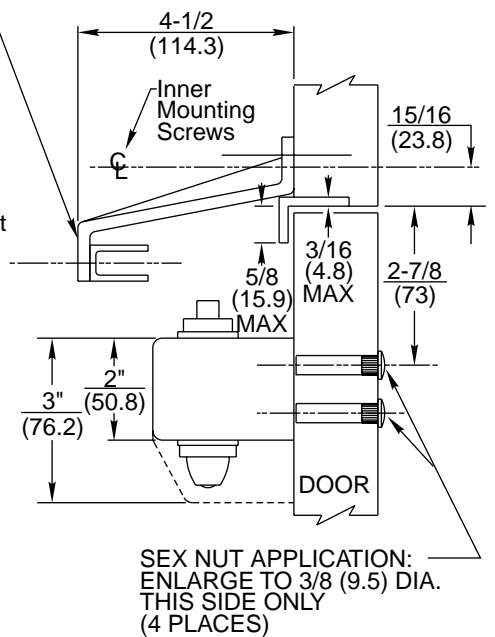
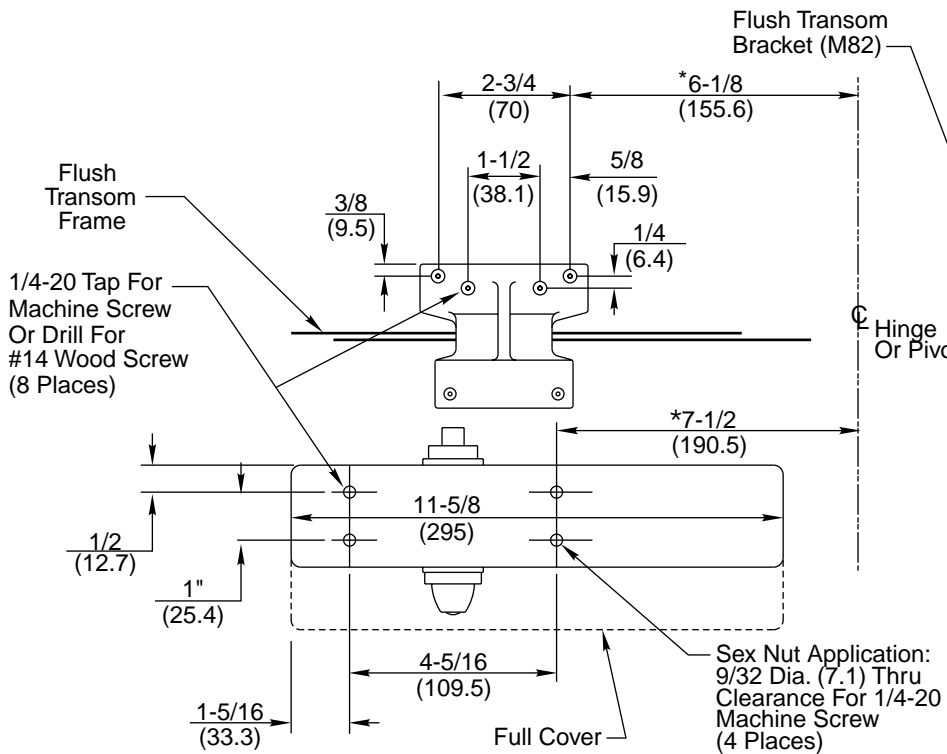
- Dimensions given in inches and (mm).
- To obtain extra closing force, add 3" (76.2) to dimensions marked by asterisk (*). This will limit degree of opening to 110°.
 - These dimensions apply to centerline of hinge/pivot for butt or swing clear hinge; offset or center pivots.
- Minimum Top Rail:
 - 4-1/16 (103.2) Standard Door
 - 4-3/8 (111.1) Rabbeted Door
- Maximum degree of opening for swing clear hinge is 140°.



Sex Nut Detail



RABBETED DOOR APPLICATION



RESPONSIBILITY

Door and Frame Manufacturers are responsible for providing adequate construction or reinforcements for proper installation of hardware shown. All architectural builders hardware must be installed on properly reinforced doors and frames, regardless of the type, material, or method of construction.

DC6210 Series By M82
DC6410 Series By M82

Surface Door Closer
Parallel Arm Mounting x Flush Transom Bracket
(with or without A1)



www.corbinrusswin.com

Do Not Scale Drawing

Supersedes	Dr.	App.
Date 06-04	Template Number	T30705