

**MOUNTING INFORMATION**

Sex nuts or through bolts are required for wood and plastic covered composite doors, and any type of door without reinforcements and recommended for wood core and metal clad (Kalamein) type doors.

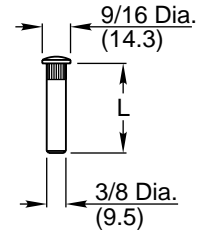
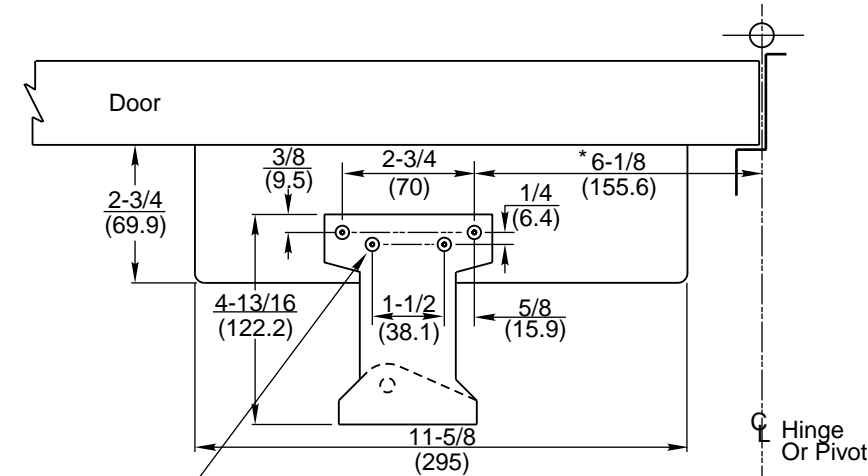
RH SHOWN  
LH OPPOSITE

**NOTES:**

1. Dimensions given in inches and (mm).
2. To obtain extra closing force, add 3" (76.2) to dimensions marked by asterisk (\*). This will limit degree of door opening to 110°.

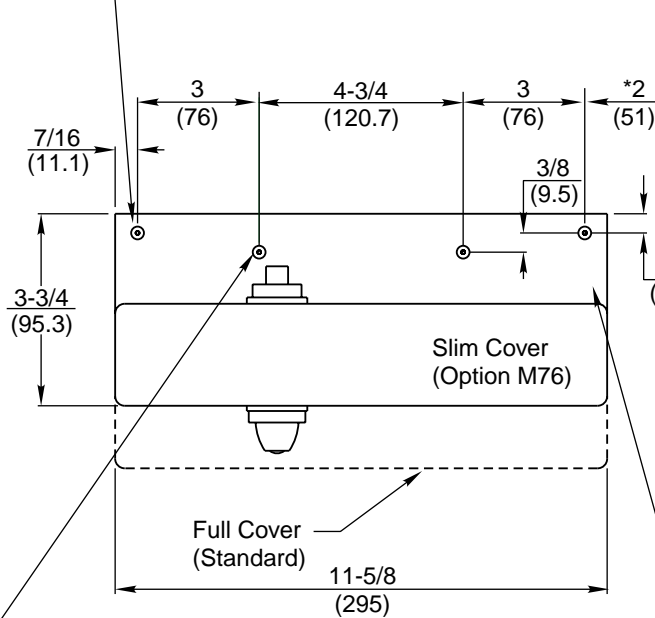
**CAUTION:** CLOSER TO BE INSTALLED IN A TRUE HORIZONTAL POSITION TO ENSURE PROPER CLOSER PERFORMANCE.

Door Thickness	Sex Nut Length "L"
1-3/8 (35)	1-9/32 (33)
1-3/4 (44) & over	1-21/32 (42)



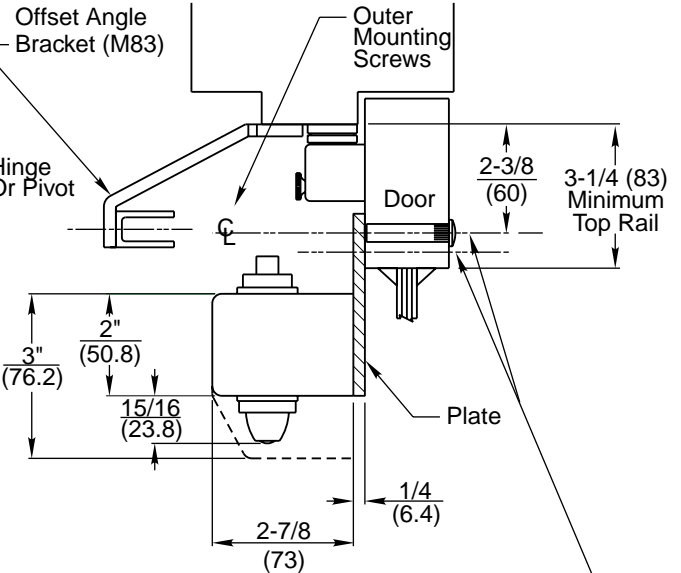
Sex Nut Detail

1/4-20 Tap For Machine Screw Or Drill For #14 Wood Screw (8 Places)



1/4-20 Tap For Machine Screw Or Drill For #14 Wood Screw (4 Places)

Sex Nut Application: 9/32 Dia (7.1) Thru Clearance For 1/4-20 Machine Screw (4 Places)



Drop Plate Full Cover 597F58 Slim Cover 188F65

Sex Nut Application: Enlarge To 3/8 Dia. This Side Only (4 Places)

**RESPONSIBILITY**

Door and Frame Manufacturers are responsible for providing adequate construction or reinforcements for proper installation of hardware shown. All architectural builders hardware must be installed on properly reinforced doors and frames, regardless of the type, material, or method of construction.

DC6210 Series by M83 by Plate  
DC6410 Series by M83 by Plate

Surface Door Closer  
Parallel Arm Mounting  
x Offset Angle Bracket for Holders x Plate  
(with or without A1)



www.corbinrusswin.com

Do Not Scale Drawing

Supersedes \_\_\_\_\_ Dr. \_\_\_\_\_ App. \_\_\_\_\_

Date 06-04

Template Number T30709