

MOUNTING INFORMATION

Sex nuts or through bolts are required for wood and plastic covered composite doors, and any type of door without reinforcements and recommended for wood core and metal clad (Kalamein) type doors.

RH SHOWN
LH OPPOSITE

CAUTION: Closer To Be Installed In A True Horizontal Position To Ensure Proper Closer Performance.

APPLICATION

STOP

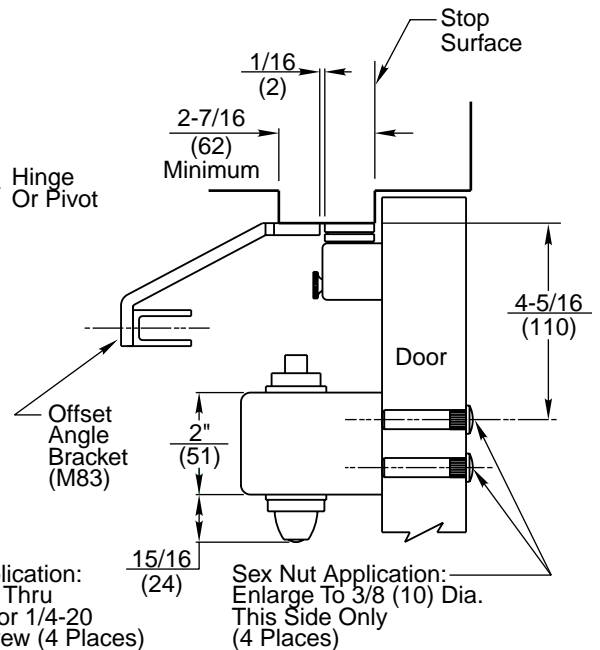
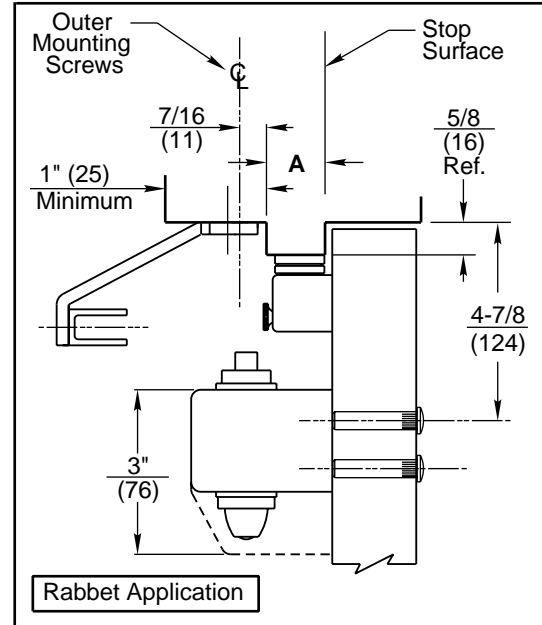
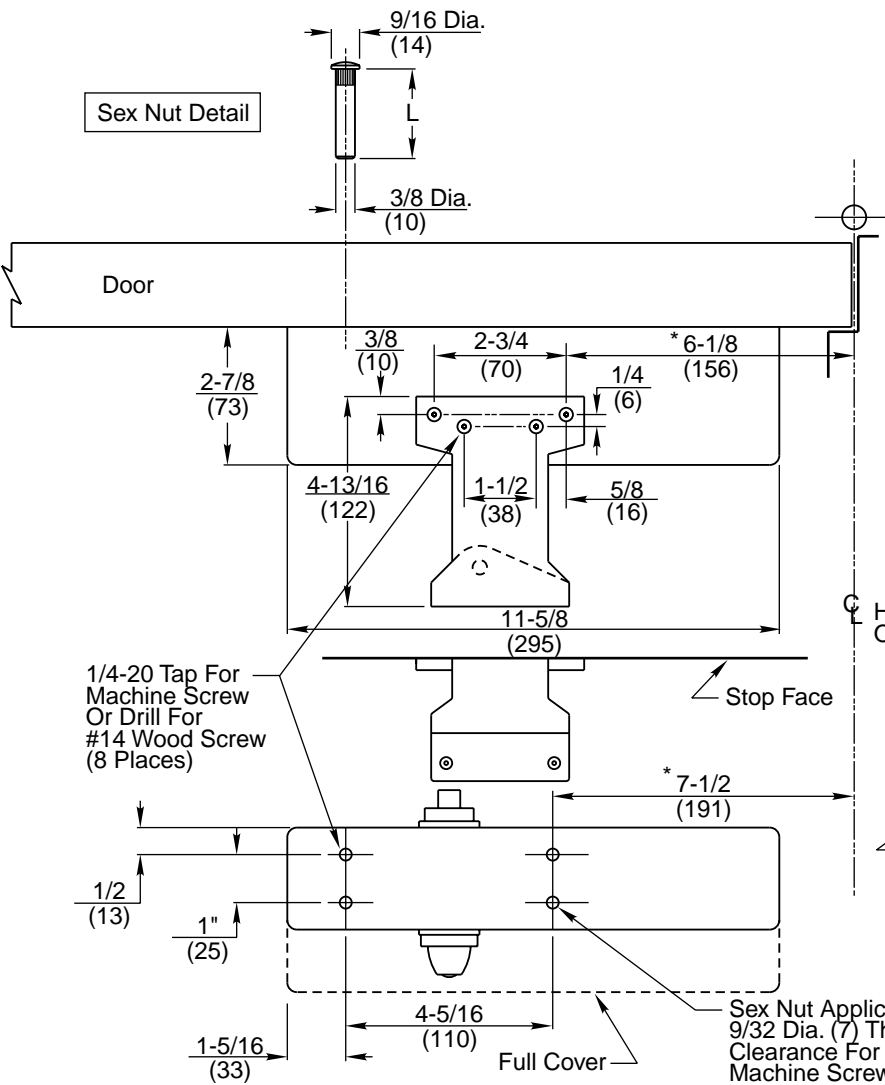
A _{MIN}	A _{MAX}
------------------	------------------

1-1/8 (29)	1-1/2 (38)
---------------	---------------

NOTES:

1. Dimensions given in inches and (mm).
2. Minimum Top Rail- Stop Application: 6-1/8 (156)
3. To obtain extra closing force, add 3" (76) to dimensions marked by asterisk (*). This will limit degree of opening to 110°.

Door Thickness	Sex Nut Length "L"
1-3/8 (35)	1-9/32 (33)
1-3/4 (44) & over	1-21/32 (42)



RESPONSIBILITY

Door and Frame Manufacturers are responsible for providing adequate construction or reinforcements for proper installation of hardware shown. All architectural builders hardware must be installed on properly reinforced doors and frames, regardless of the type, material, or method of construction.

DC6210 Series By M83
DC6410 Series By M83

Surface Door Closer
Parallel Arm Mounting
By Offset Angle Bracket for Holders
(with or without A1)

**Corbin
Russwin**®

www.corbinrusswin.com

Do Not Scale Drawing

Supersedes T30714 Dr. App.

Date 01-07 Template Number T30714-1