

**MOUNTING INFORMATION**


Sex nuts or through bolts are required for wood and plastic covered composite doors, and any type of door without reinforcements and recommended for wood core and metal clad (Kalamein) type doors.

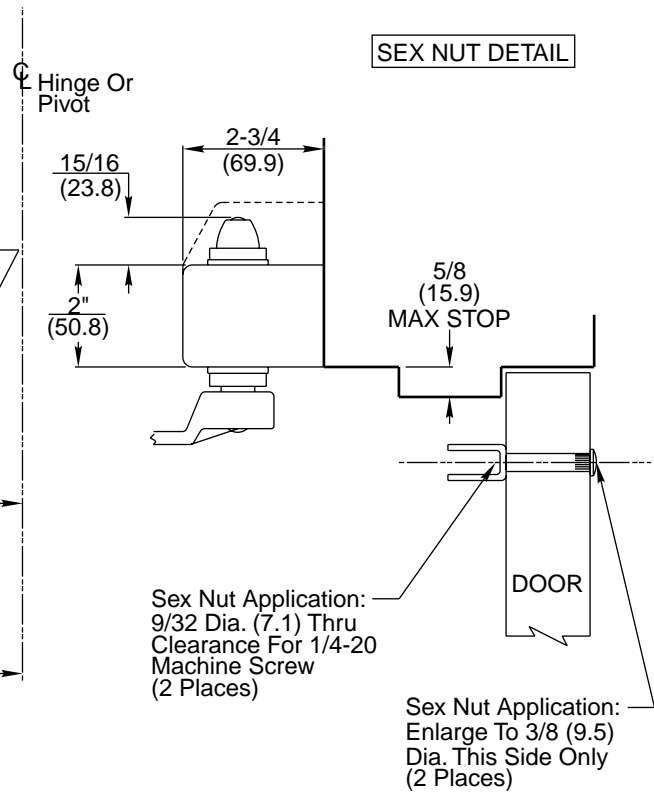
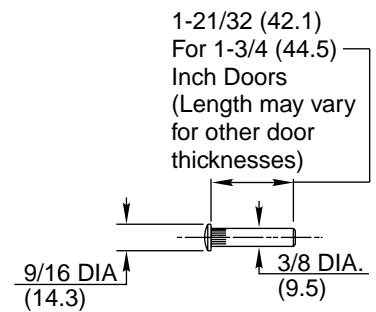
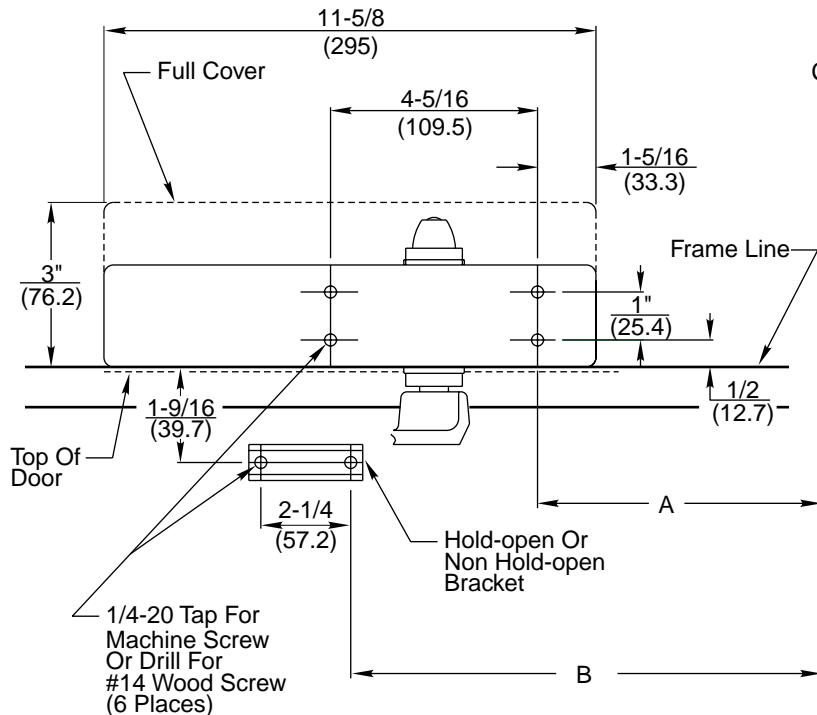
RH SHOWN  
LH OPPOSITE

**CAUTION:** CLOSER TO BE INSTALLED IN A TRUE HORIZONTAL POSITION TO ENSURE PROPER CLOSER PERFORMANCE.

**NOTES:**

1. Dimensions given in inches and (mm).
2. Minimum 1-3/4 (44.5) required for top jamb and top rail.
3. Dimensions "A" & "B" apply to centerline of hinge/pivot for butt, swing clear, offset and center hung pivots.

Opening Maximum	A	B	Hinge Condition
110°	8-7/8 (225.4)	13-3/8 (339.7)	Butts, Offset Pivots, And Swing Clear Hinges
180°	5-7/8 (149.2)	10-3/8 (263.5)	
 140°	7-3/8 (187.3)	11-7/8 (301.6)	Center Hung



**RESPONSIBILITY**

Door and Frame Manufacturers are responsible for providing adequate construction or reinforcements for proper installation of hardware shown. All architectural builders hardware must be installed on properly reinforced doors and frames, regardless of the type, material, or method of construction.

DC6220 Series  
DC6420 Series  
Surface Door Closer  
Top Jamb Mounting  
(with or without A1, A6, or A8)



www.corbinrusswin.com

Do Not Scale Drawing

Supersedes	Dr.	App.
Date 03-04	Template Number	T30706