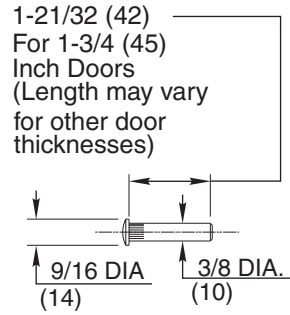


### MOUNTING INFORMATION

Sex nuts or through bolts are required for wood and plastic covered composite doors, and any type of door without reinforcements and recommended for wood core and metal clad (Kalamein) type doors unless door manufacturer has a listed alternative means for fastening door hardware.

RH SHOWN  
LH OPPOSITE

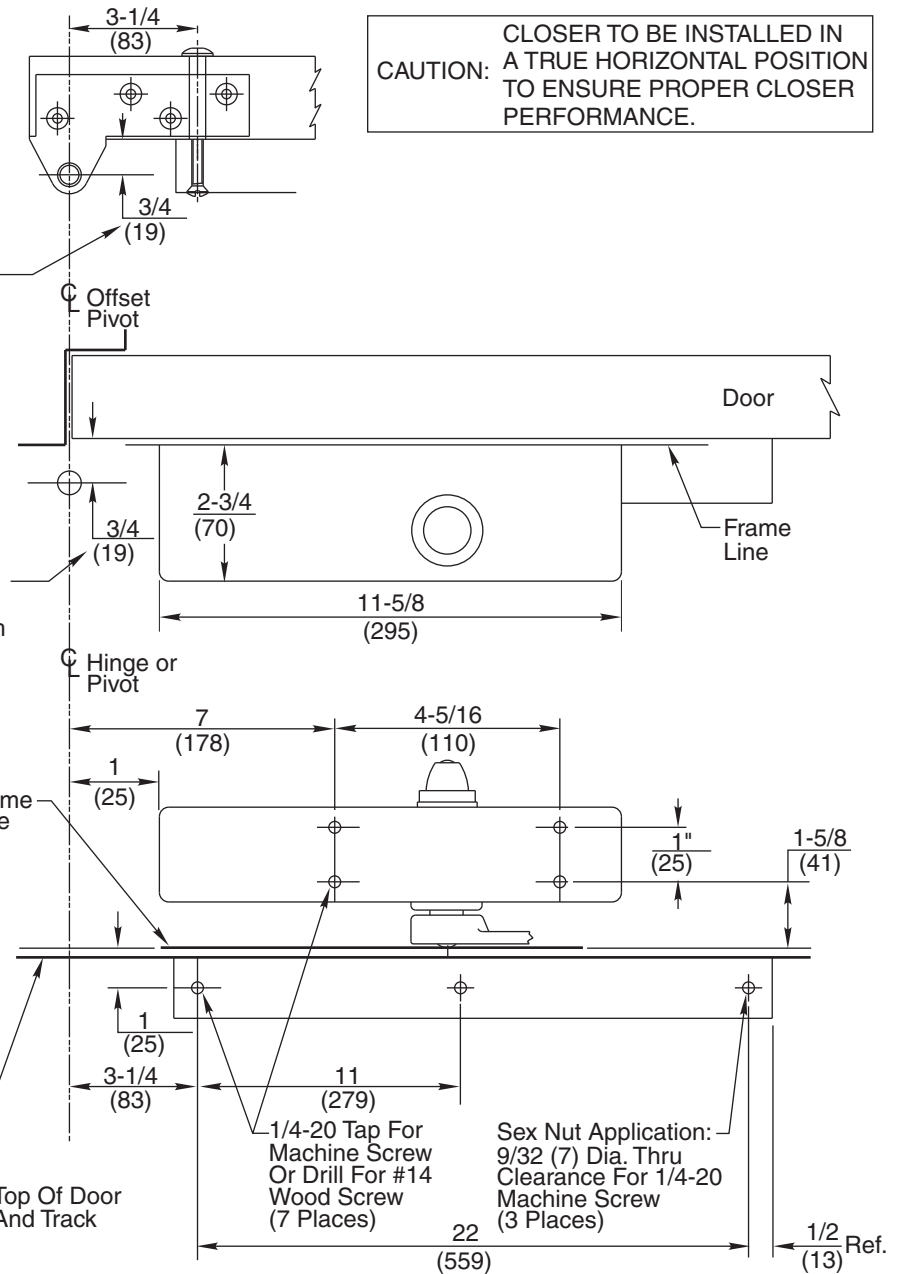
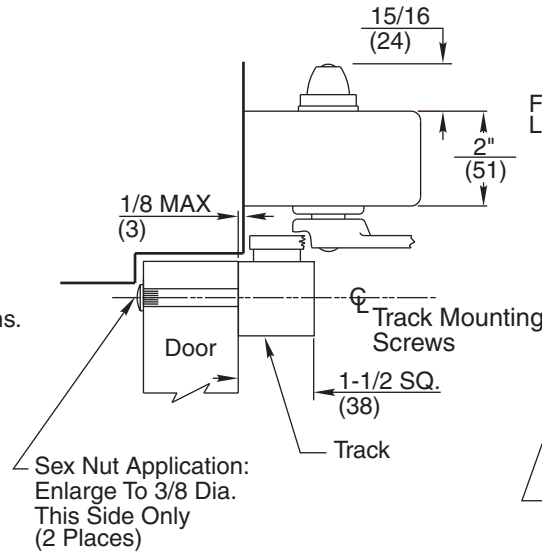
**CAUTION:** CLOSER TO BE INSTALLED IN A TRUE HORIZONTAL POSITION TO ENSURE PROPER CLOSER PERFORMANCE.



SEX NUT DETAIL

Offset Pivot Requires  
25" (64)  
Minimum Door Width

Butt Hinge Requires  
24" (610)  
Minimum Door Width



- NOTES:
1. Hold-open may be set from 85° to 105° positions.
  2. Maximum degree of opening is 110°. All degrees of opening are based on use of butt hinges or 3/4" (19) offset pivots.
  3. Dimensions given in inches and (mm).
  4. Minimum 3" (76) frame face required for mounting closer bracket.
  5. Minimum Top Rail: 1-5/8" (41).
  6. Minimum ceiling clearance 4" (102).

### RESPONSIBILITY

DOOR AND FRAME MANUFACTURERS ARE RESPONSIBLE FOR PROVIDING ADEQUATE CONSTRUCTION OR REINFORCEMENTS FOR PROPER INSTALLATION OF HARDWARE SHOWN. ALL ARCHITECTURAL BUILDERS HARDWARE MUST BE INSTALLED ON PROPERLY REINFORCED DOORS AND FRAMES, REGARDLESS OF TYPE, MATERIAL, OR METHOD OF CONSTRUCTION.

②

### DC6230 Series DC6430 Series Surface Door Closer Track Mounting (with or without A1)

**Corbin  
Russwin**

**ASSA ABLOY**

www.corbinrusswin.com

SUPERSEDES T31034-1 DO NOT SCALE DRAWING

TEMPLATE NUMBER T31034-2 DATE 04-10