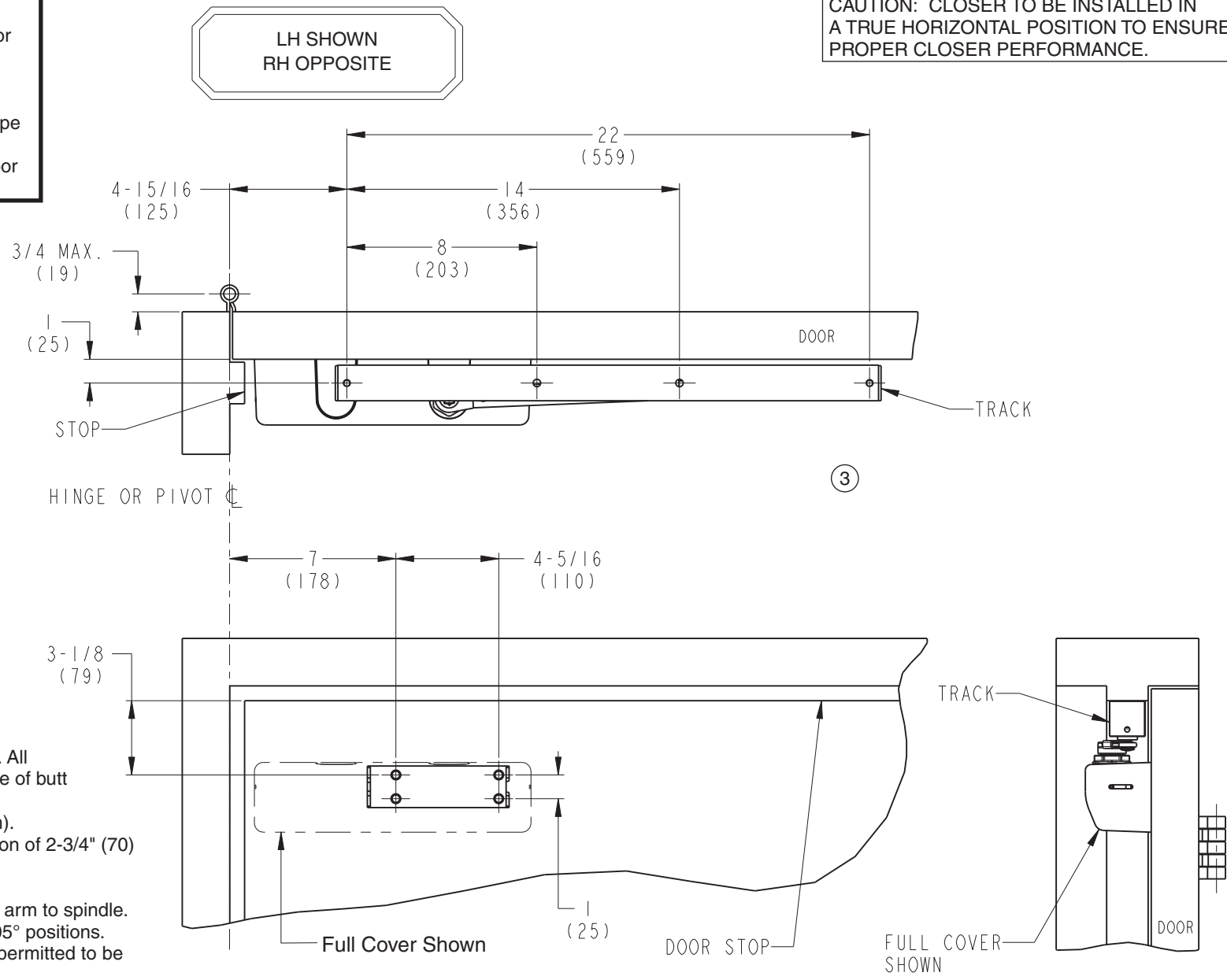


MOUNTING INFORMATION

Sex nuts or through bolts are required for wood and plastic covered composite doors, and any type of door without reinforcements and recommended for wood core and metal clad (Kalamein) type doors unless door manufacturer has a listed alternative means for fastening door hardware.

CAUTION: CLOSER TO BE INSTALLED IN A TRUE HORIZONTAL POSITION TO ENSURE PROPER CLOSER PERFORMANCE.



NOTES:

1. Maximum degree of opening is 110°. All degrees of opening are based on use of butt hinges or 3/4" (19) offset pivots.
2. Dimensions given in inches and (mm).
3. Door closer with cover has a projection of 2-3/4" (70) from door.
4. Tube end of closer toward hinge.
5. Preload spindle 45° before attaching arm to spindle.
6. Hold open may be set from 85° to 105° positions. Units with hold open feature are not permitted to be installed on fire door assemblies.

RESPONSIBILITY

DOOR AND FRAME MANUFACTURERS ARE RESPONSIBLE FOR PROVIDING ADEQUATE CONSTRUCTION OR REINFORCEMENTS FOR PROPER INSTALLATION OF HARDWARE SHOWN. ALL ARCHITECTURAL BUILDERS HARDWARE MUST BE INSTALLED ON PROPERLY REINFORCED DOORS AND FRAMES, REGARDLESS OF TYPE, MATERIAL, OR METHOD OF CONSTRUCTION.

**DC6240 Series
DC6440 Series**
Push Side Door Closer
Track Mounting
(With or without A1)



ASSA ABLOY

www.corbinruswin.com

SUPERSEDES T31037-2 DO NOT SCALE DRAWING

TEMPLATE NUMBER T31037-3 DATE 06-10