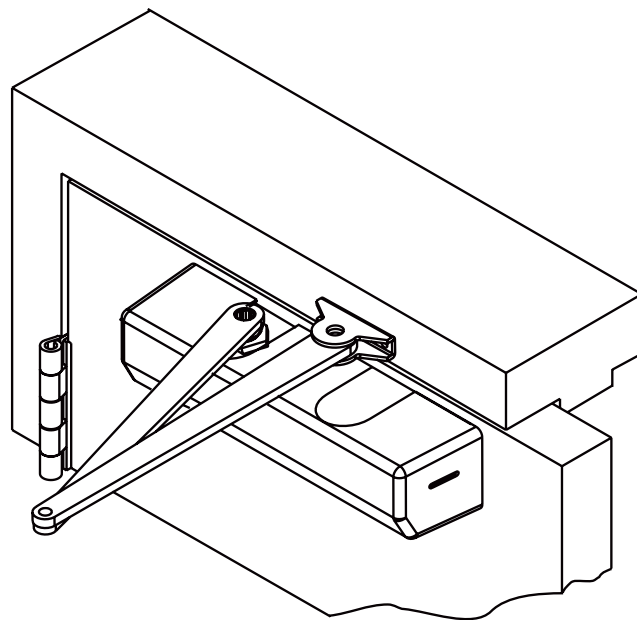


DC6200 Series DC6400 Series

A10 Heavy Duty Non-Hold Open Arm



Important

- An improperly installed or incorrectly adjusted door closer may cause property damage or personal injury; and will void product warranty.
- To avoid personal injury, **DO NOT DISASSEMBLE THIS DOOR CLOSER BODY.**
- Door closers must be securely fastened to a properly reinforced door and frame with fasteners provided.

DC6200 & DC6400 Series Closers

A10 Heavy Duty Non-Hold Open Arm

Installation Instructions



ASSA ABLOY

1

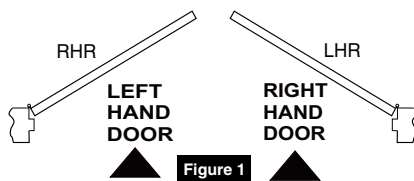
Introduction



BEFORE INSTALLING:

- The Americans with Disabilities Act (ADA) requires that doors having door closers have an opening force not to exceed 5 lbf. Use standard templating for regular arm and parallel arm applications. Jamb mounted applications use the template for 140° door opening to achieve the required opening force.
- The door closer's power size adjustment feature may require adjustment to its lowest setting to comply with ADA opening force guidelines.
- ADA compliant closer: DC6200 & DC6401.

TO DETERMINE HAND OF YOUR DOOR:



Size of Door & Door Closer				
Type of Installation	Interior	Exterior In-swinging	Recommended Closer Size	**Max. Opening Force lbs/f
Regular Arm	2' 4"	-	1	8
	3' 0"	-	2	14
	3' 6"	2' 6"	3	16
	4' 0"	3' 0"	4	22
	4' 6"	3' 6"	5	24
	5' 0"	*4' 0"	6	26

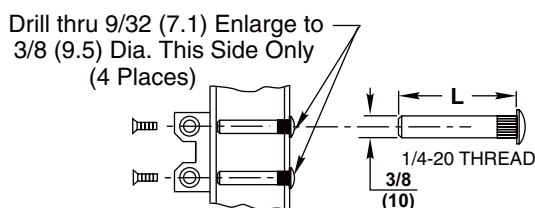
*DC6400 Series recommended

**NOTE: These forces are for standard templating with bearing type hinges and do not account for pressure differentials and draft. Half size closers DC6400 are capable of being adjusted to next higher setting.

MOUNTING SCREW SPECIFICATIONS

ARM AND CLOSER BRACKET

1/4-20 oval head machine screw or 1/4-14 self-drilling screw Type BSD. 3/16 (4.8) diameter pilot hole required for Wood Applications. } or { Option M54: Sex nuts, furnished when ordered



DOOR THICKNESS	SEX NUT LENGTH "L"
1-3/8" (35mm)	1-9/32" (33mm)
1-3/4" (44mm) & OVER	1-21/32" (42mm)

For installation assistance contact Corbin Russwin
1-800-543-3658 • techsupport.corbinrusswin@assaabloy.com

80-9360-6004-152 04/18

Copyright © 2018 Corbin Russwin, Inc., an ASSA ABLOY Group company. All rights reserved. Reproduction in whole or in part without the express written permission of Corbin Russwin, Inc. is prohibited.

2

Installation

1. Template

Mark and prepare door and jamb (for closer bracket and arm bracket).

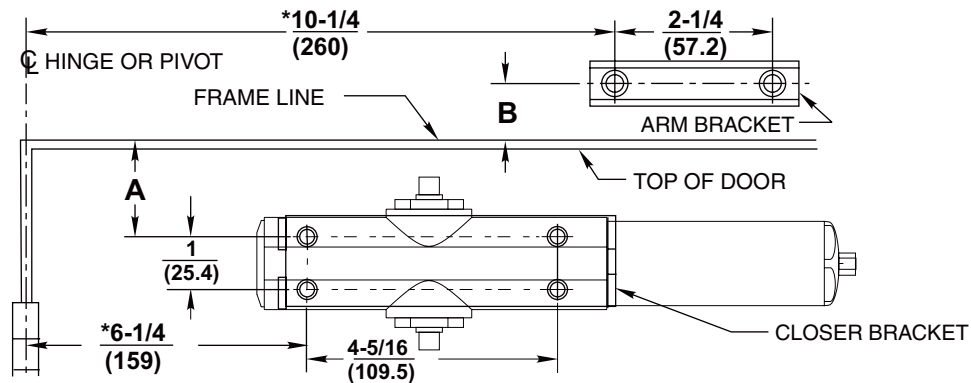
For Vertical Dimensions use “Mounting Dimensions Chart” (Figure 2)

NOTES:

- Check hand of door. (Figure 1)
- Right Hand Application Shown, Left Hand Opposite
- Dimensions given in inches (mm). Do Not Scale Drawing.
- Closer must be installed in a true horizontal plane to ensure proper closer performance.
- Door opening (up to 180°) is dependent upon door, frame, wall and hinge/pivot conditions permitting.
- Maximum Hinge Side Reveal 1/8" (3mm).

MOUNTING DIMENSIONS			MINIMUM CLEARANCE REQUIRED OVER DOOR
TOP RAIL	DIM. A	DIM. B	
2-1/2" (64mm) & OVER	1" (25.4mm)	3/4" (19mm)	1-11/16" (43mm)
1-3/4" (44mm) -MIN.	5/8" (16mm)	1-1/8" (29mm)	2-1/16" (53mm)

Figure 2



* To obtain extra closing force add 3" (77mm) to dimensions marked. This will limit degree of door opening to 110°.

2

Installation

2. Install Closer Bracket. (Figure 3)

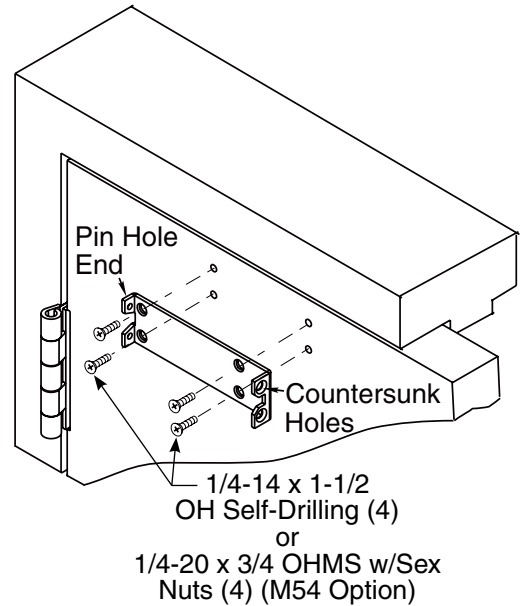


Figure 3

3. Mount Closer Body to Closer Bracket. (Figure 4)

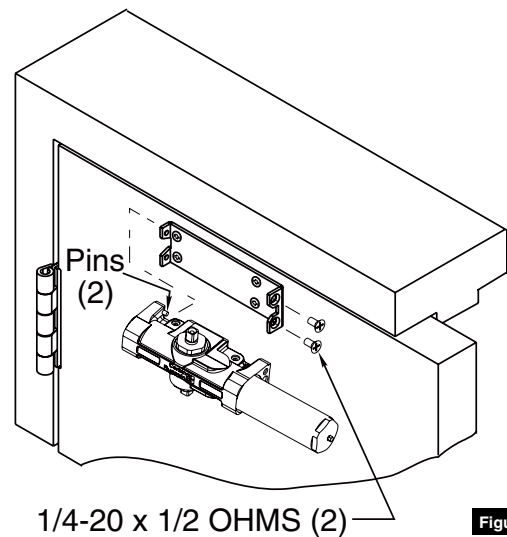


Figure 4

DC6200 & DC6400 Series Closers

A10 Heavy Duty Non-Hold Open Arm

Installation Instructions



ASSA ABLOY

2

Installation

4. Position Arm on Closer. (Figure 5)

Main arm projects straight out at 90° angle to door.

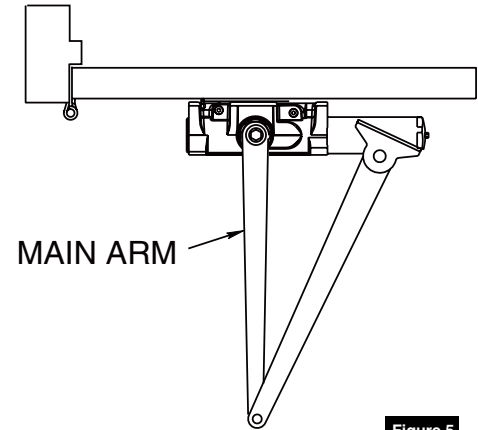


Figure 5

5. Preload and Fasten Arm to Frame. (Figure 6)

Close door, swing arms to align holes in arm bracket with pre-drilled holes on frame and install attaching screw.

NOTE: Arms will form a “V” position.

Extended Maintenance

Lubricate Arm periodically at shaded points with a drop or two of appropriate lubricant.

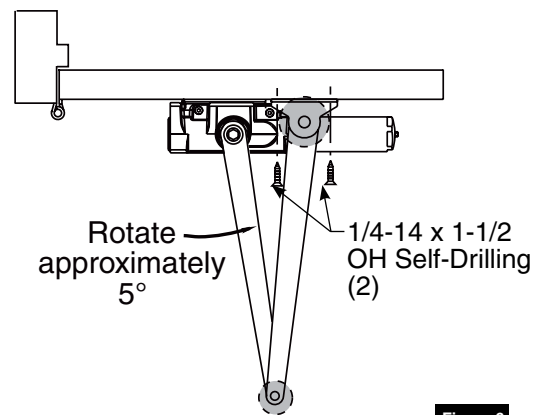


Figure 6

DC6200 & DC6400 Series Closers

A10 Heavy Duty Non-Hold Open Arm

Installation Instructions



ASSA ABLOY

3

Adjustments

Adjustments (Figure 7)

(3/32 Allen Wrench Provided)

Closing Speed Valve (Figure 8)

To adjust speed of door closing from fully open to a position 2 to 5" from closed, turn Closing Speed Valve **CLOCKWISE** to **SLOW** closing, **COUNTER-CLOCKWISE** to **SPEED** closing.

Latching Speed Valve (Figure 9)

After closing speed has been obtained, turn latching speed valve **CLOCKWISE** to **SLOW** latching or **COUNTER-CLOCKWISE** to **SPEED** latching for last 2" to 5" of door travel.

NOTE: Set combination of CLOSING and LATCHING speeds to between 3 and 7 seconds. Use of door by handicapped, elderly or small children, may require even greater closing time.

Backcheck Intensity Valve (Figure 8)

Turn valve **COUNTER-CLOCKWISE** to reduce backcheck or **CLOCKWISE** to increase backcheck. (Backcheck should be set to give a soft cushioning action, not a sudden stop).

Delayed Action Valve (Figure 8)

Turn valve **CLOCKWISE** to **SLOW** closing, **COUNTER-CLOCKWISE** to **SPEED** closing. Delayed action may be adjusted from 20 seconds to 90 seconds, depending on degree of door swing. Delay occurs at the beginning of the door closing cycle from fully open down to 70°, where the closing speed valve then begins its control.

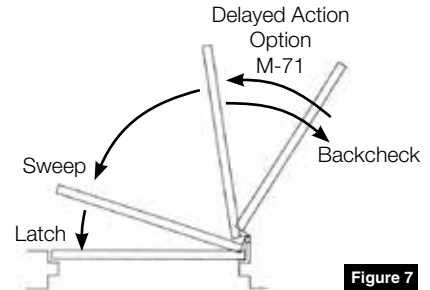


Figure 7

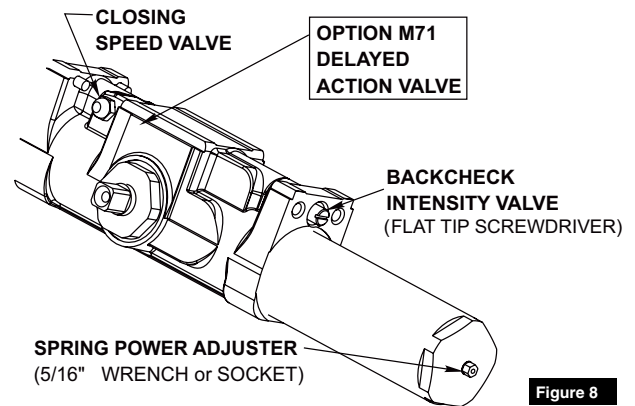


Figure 8

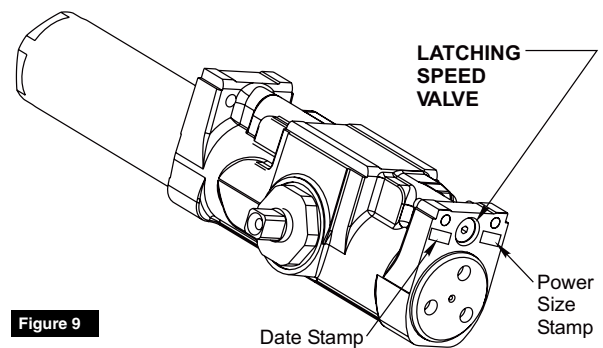


Figure 9

3

Adjustments

Adjust Spring Power According to Chart DC6200 Size 1-6 Adjustment (Figure 10) DC6400 Half Size Adjustment as desired

- All DC6200 closers are factory set at an approximate Size 3.
- Adjust closer as necessary for door size using this chart.
- Readjustment may be required to suit prevailing conditions.

Size of Door		No. of Full (360°) Turns Clockwise of Power Adjuster	Equivalent Closer Size (Approx.)
Interior	Exterior In-Swinging		
2' 4" (712)	2' 6" (764)	4	2
2' 6" (764)	3' 0" (915)	8	3
3' 0" (915)	3' 6" (1067)	12	4
3' 6" (1067)	4' 0" (1219)	16	5

Figure 10

4

Cover Installation

Install Cover (Figure 11)

Slip cover over closer. Hold tightly against closer mounting surface. Secure on each side with 6-32 x 1/4 PBHMS screws.

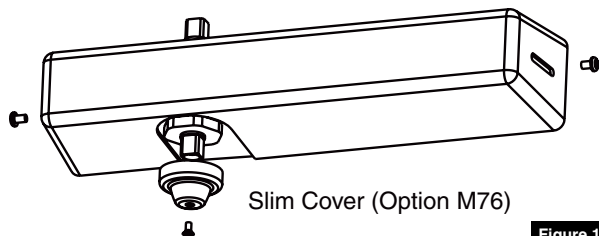


Full Cover (Standard)

Figure 11

Slim Cover Option M76 only (Figure 12)

Position spindle cap over unused spindle and secure with truss head screw.



Slim Cover (Option M76)

Figure 12



ASSA ABLOY

Corbin Russwin
225 Episcopal Road
Berlin, CT 06037
Phone: 800-543-3658
Fax: 800-447-6714
corbinrusswin.com

ASSA ABLOY is the global
leader in door opening solutions,
dedicated to satisfying
end-user needs for security,
safety and convenience

Copyright © 2018 Corbin Russwin, Inc., an ASSA ABLOY Group company.
All rights reserved. Reproduction in whole or in part without the express written
permission of Corbin Russwin, Inc. is prohibited.

Patent pending and/or patent: www.assaabloydss.com/patents

**For installation assistance contact Corbin Russwin
1-800-543-3658 • techsupport.corbinrusswin@assaabloy.com**

80-9360-6004-152 04/18