



DC62900 Series
Electromechanical Closer-Holder



Product Catalog

Experience a safer
and more open world

Introduction

DC62900 Series



Table of Contents

Applications.....	2
Functions and Features	3
Electrical Information	4
Mountings	5-6
Brackets and Covers.....	7
Track Assemblies & Parts...8-9	
How to Order	10
Specification	11

Applications

Corbin Russwin Electric Track Closer-Holders combine the functions of a single-point electromechanical door holder with the DC6200 Series door closer. The track assembly contains an arm slide and solenoid-operated hold open mechanism.

The closer is mounted on the door. The track is mounted to the frame face for pull side installations or the frame soffit for push side installations.

The track is an aluminum extrusion which incorporates a solenoid-actuated cam that locks the arm slide in the

track at a selected point. The degree of door hold open is selected by adjustment of the telescoping arm. When there is power to the unit, the door will hold open at the selected hold open point. Any power interruption will release the arm slide and the door will close. The door can be released manually at any time.

Corbin Russwin Electric Track Closer-Holders are available in two basic functions for controlling fire/smoke doors.

Functions and Features

DC62900 Series

Functions:

Support Unit – This unit is comprised of a solenoid hold open mechanism in the slide track and a door closer. These units can be installed on a single door or a pair of doors when controlled by compatible U.L. listed detection equipment such as area ceiling detectors, pull stations, and remote alarm panels.

Quick Code: ET

Note:

Application of any Corbin Russwin Electric Track Single-Point Hold Open Closer-Holder Releasing Device should be checked for compliance with both state and local codes.

Features:

Selective Single-Point Hold Open:

The DC62900 Series has one template position. The single-point hold open position is selected by adjusting the telescoping arm with a hex drive set-screw. Hold open range is 85° thru 110° in approximately 3° increments.

Spring Cushioned Dead Stop:

A spring loaded buffer block at the point of hold open prevents overtravel of the arm slide and provides a cushioned dead stop. Use of an additional wall or floor stop is always recommended.

Non-Handed:

Non-handed except when ordered with "DE" (Double Egress) arms.

Pull/Push Installations:

The track can be ordered for installation on either side of the door. List number DC62940 can be installed on the push side only. List number DC62930 can be installed on the pull side only.

Choice of Supply Voltage:

Corbin Russwin Electric Tracks are available in the most commonly used operating voltages of 24 Volts AC/DC or 120VAC, 60Hz. Power to these devices must be within a range of (+) 10% (-) 15% of the stated voltage.

Fail Safe:

In the event of a power outage, solenoid will be de-energized and the Closer-Holder will then operate as a normal door closer.

Wiring Option:

Both pull side and push side application will accommodate either concealed or surface wiring. The hook-up box will accept a 3/4" (19mm) conduit. Each DC62900 is supplied with a thin-walled conduit nut to attach the conduit clamp. State and local building codes will dictate the type of wiring permitted.

Door Closer:

The DC62900 Series is a non-handed, narrow projection closer with a full plastic cover. It has an adjustable spring for sizes 1-6. It also has four independent valves to control latch speed, closing speed, backcheck positioning and intensity. QUIK-INSTALL mounting bracket speeds installation.

Warranty:

2-year limited

U.L. Listing:

All Support Units are U.L. listed for application with any compatible U.L. listed fire/smoke detection equipment.

ANSI / BHMA:

The DC62900 Series is ANSI/



BHMA certified for A156.15.

Electrical Information

DC62900 Series

Ordering Voltages:

Type of Unit	Model	# of Power Input Lines	Choices of Voltage Input	Can be used with
Support	ET-24	1	24 VAC/DC	Area Smoke Detection System
	ET-120		120 VAC, 60Hz	

Operating voltage or voltages for the control of fire/smoke doors are specified by the architect, electrical engineer and alarm system engineer and/or contractor. Consulting with these sources will verify which operating voltage(s) should be ordered.

“ET” Support Units

- Hold open solenoid requires electrical power.
- Solenoid controlled by smoke detection equipment (ceiling detectors) or remote alarm panels.
- Available for operation on 24VAC/DC or 120VAC, 60Hz.
- Hold open solenoid operates on direct current.
- Contains built-in rectifier that converts alternating current to direct current.

Mountings

DC62900 Series

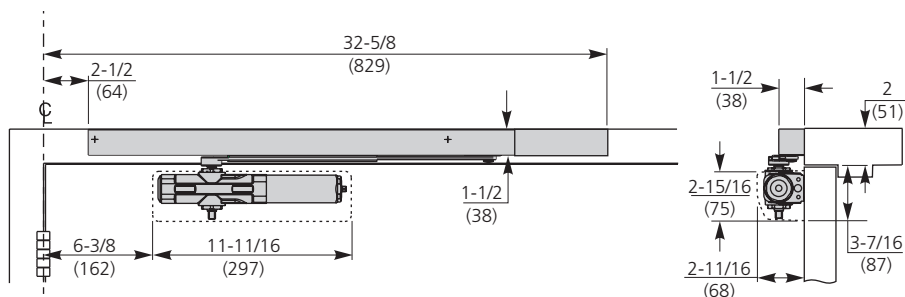
DC62930 Pull (Hinge) Side Mounting

Model #	Description
DC62930 x ET	Support Unit Controlled by Remote Detection Equipment



DC62930 x ET

Support Unit Track



Minimum ceiling clearance 2-1/8" (54mm)

	Door(s) Opening Inches (cm)		Model Number & Type
	Max.	Min*	
Single Door	48" (122)	32" (81)	(1) DC62930 x ET Support Unit
Pair of Door	96" (244)	64" (163)	(2) DC62930 x ET Support Units

* Minimum door opening for standard installation. Consult factory for door openings narrower than those shown.

Mountings

DC62900 Series

DC62940 Push (Stop) Side Mounting

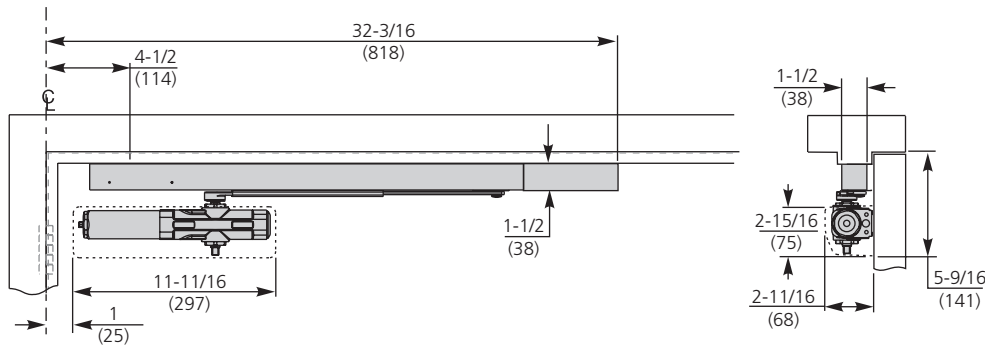
Model #	Description
DC62940 x ET	Support Unit Controlled by Remote Detection Equipment

Interference with other hardware (vertical rod exit devices, magnetic locks, etc.) must be considered when selecting this product.



DC62940 x ET

Support Unit Track



Minimum 1-1/2" (38mm) frame soffit required.

	Door(s) Opening Inches (cm)		Model Number & Type
	Max.	Min*	
Single Door	48" (122)	36" (91)	(1) DC62940 x ET Support Unit
Pair of Doors	96" (244)	71" (180)	(2) DC62940 x ET Support Units

* Minimum door opening for standard installation. Consult factory for door openings narrower than those shown.

Brackets and Covers

DC62900 Series

188F03



Quik-Install™ Mounting Bracket

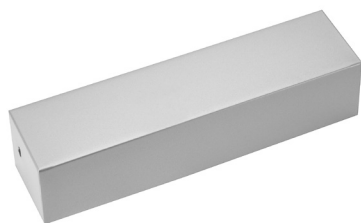
- Standard on all closers
- Reduces installation time
- Ensures correct mounting
- Bracket is first mounted to door or frame, then closer is attached
- Bracket size: 1-3/4" (44mm) (vertical) x 6" (152mm) (horizontal)
- Hole spacing: 1" (25mm) (vertical) x 4-5/16" (110mm) (horizontal)

597F78



Full Cover

- Standard on all DC6000 series door closers
- Completely covers closer body
- Non-handed
- Dimensions: 11-5/8" (295mm) x 3" (76mm) x 2-3/4" (70mm) deep
- Available in painted finishes only



Full Metal Cover

- For use in high-abuse applications
- Specify hand; not field reversible
- Available in painted and plated finishes
- Dimensions: 11-1/2" (292mm) x 2-7/8" (73mm) x 2-3/4" (70mm) deep
- To order specify closer x M73

Cover	Model #
RH/LHR	603F55
LH/RHR	603F57

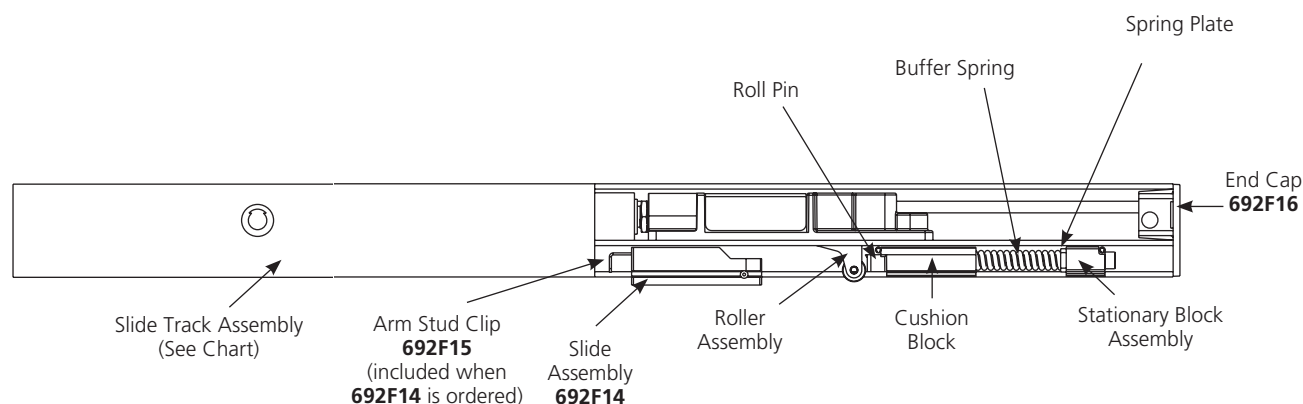
Parts

DC62900 Series

Metal covers and arm assemblies are available in painted or plated finishes. Plastic covers and track assemblies are available in painted finishes only.

Description	Voltage	Part Number	
		Hinge Side	Stop Side
Support Unit	24V	754F52	754F53

Support Unit Track Assemblies include track, slider assembly and solenoid block assembly. Hook-up box not included.



Miscellaneous Parts	
Description	Part Number
Fuse	754F66
Solenoid Block Assembly	692F17
Hook-Up Box Cover Kit (Support)	754F72

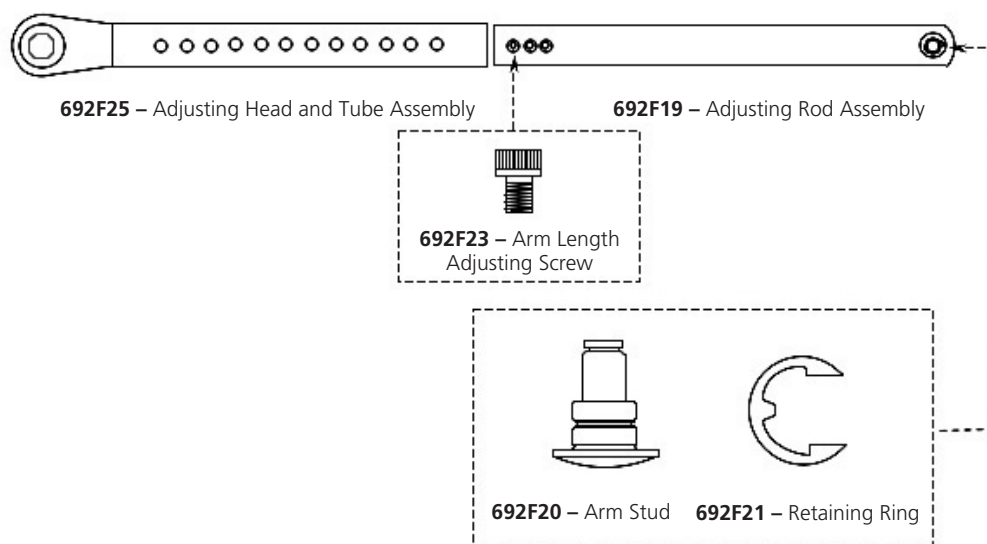
Hook-Up Boxes			
Description	Voltage	Hinge Side	Push Side
Support	24V	754F58	754F63
	120V	754F59	754F64

Description	Voltage	Part Number
		Hook-Up Board
Support	24V	754F54
	120V	754F55

NOTE: Mounting hardware included with all parts orders.

Standard Arm Assembly

692F24^{1,2}

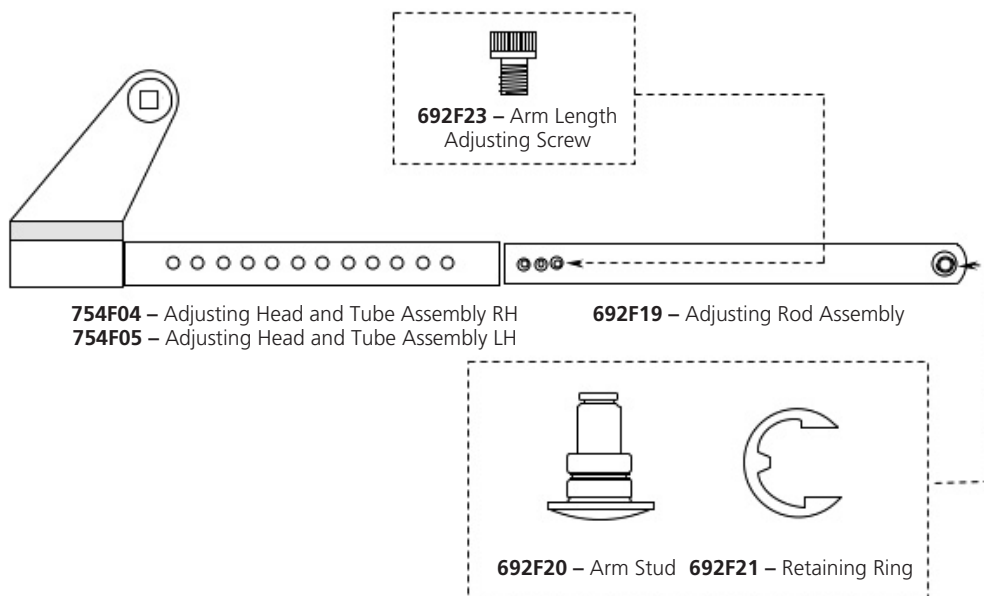


Double Egress Arm Assembly

(Specify model x Quick Code A6)

754F02 – (Right Hand)^{1,2}

754F03 – (Left Hand)^{1,2}



1 Includes arm length adjusting screw #692F23

2 Includes arm tube & adjusting rod assembly

NOTE: Mounting hardware included with all parts orders.

How To Order

DC62900 Series

Ordering Examples

Application	Model #
Pull Side Mounting Support	DC62930 x ET
Push Side Mounting Support	DC62940 x ET

Finish

Standard painted finishes

Description	Specify
SBL Silver Aluminum Painted	689
DBL Dark Bronze painted	690
LBL Light Bronze Painted	691
FBL Black Painted	693
GBL Satin Brass Painted	696

Example

Quantity	Model Number	Voltage	Finish	Door Thickness	Misc. Options
3	DC62930 x ET	120A	689	D134	M73

Requirements

Single Door	Pair of Doors
(1) ET	(2) ET

Door Thickness

Door Thickness	Specify
1-3/4" (44mm)	(Standard)

Voltage

Description	Specify
24VAC	(Standard)
24VDC	24D
120VAC	120A

Arm

Door Thickness	Specify
Double Egress Arm - 1/8" to 3" deep reveal	A6

Miscellaneous Options

Description	Specify
Torx screws	M04
Sex nuts and bolts (SNBs)	(Standard)
Backcheck intensity and location valves	(Standard)
Full cover	(Standard)
Full metal cover	M73

Specification

DC62900 Series

Suggested Specification

Closer for _____ doors shall be electromechanical closer-holder. Hold open to be achieved by electric solenoid locking of the closer arm slide in its track. Track, arm, slide (and) solenoid to be contained in a single aluminum extrusion 1-1/2" (38mm) high, 1-1/2" (38mm) deep. Closer shall be door mounted. Track and hold open mechanism shall be surface mounted to the frame face for application on the pull side of the door and frame soffit mounted for application on the push side of the door.

Single point hold open shall be selective through a range of 85° to 110°. Hold open point to be achieved by adjustment of a telescoping closer arm.

Closer shall be hydraulic with full rack and pinion enclosed in a cast iron shell. Hydraulic fluid shall be non-gumming and non-freezing. Closer shall have two non-critical values to independently regulate sweep speed and latch speed. It shall have an adjustable backcheck cushioning valve.

(Support units to be controlled by U.L. Listed Smoke Detection Equipment.) Units to be fail safe and close the door during any interruption to the electrical power. The hold open solenoid coil shall have a maximum amperage draw of (.090 Amps at 24 volts) (.035 Amps at 120 volts). Unit shall have a switch to permit testing of the releasing device function without alarming the system.

All wiring connections shall be made without the need of wire nuts or soldering.

(Support unit(s) shall require a (24VAC/DC) (120VAC, 60Hz.) power input.) Supplier to coordinate electrical requirements with electrical and alarm system engineers. Wiring (and conduit) by others.

The ASSA ABLOY Group is the global leader in access solutions. Every day, we help billions of people experience a more open world.

ASSA ABLOY Opening Solutions leads the development within door openings and products for access solutions in homes, businesses and institutions. Our offering includes doors, frames, door and window hardware, locks, perimeter fencing, access control and service.



For additional information, contact your
ASSA ABLOY Door Security Solutions
sales consultant or visit www.corbinruswin.com.

In U.S.

Corbin Russwin
Architectural Hardware
225 Episcopal Road
Berlin, CT 06037
Phone: 800-543-3658
Fax: 800-447-6714
www.corbinruswin.com

In Canada

ASSA ABLOY Door
Security Solutions Canada
160 Four Valley Drive
Vaughan, Ontario
Canada L4K 4T9
Phone: 800-461-3007
Fax: 800-461-8989
www.assaabloydss.ca