

**MOUNTING INFORMATION**

Sex nuts or through bolts are required for wood and plastic covered composite doors, and any type of door without reinforcements and recommended for wood core and metal clad (Kalamein) type doors.

RH SHOWN  
LH OPPOSITE

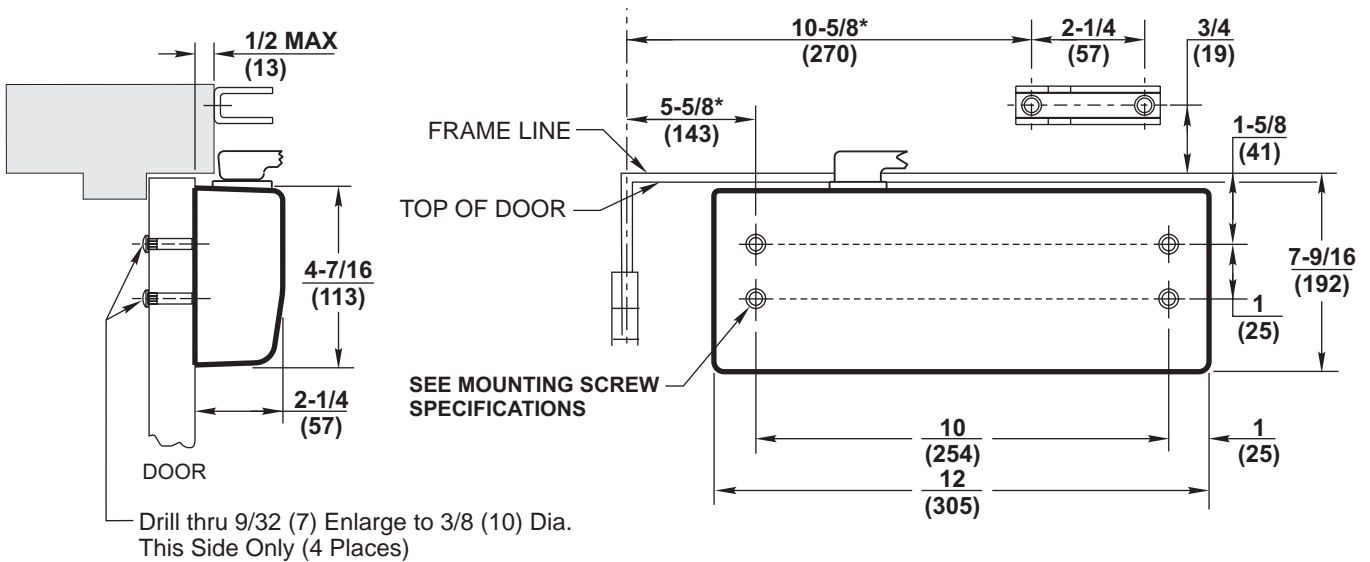
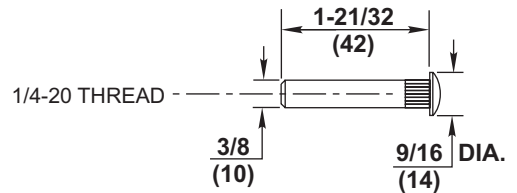
**CAUTION:** Closer To Be Installed In A True Horizontal Position To Ensure Proper Closer Performance.

**NOTES:**

1. Dimensions given in inches and (mm).
2. Minimum Top Rail: 3 (76)
3. Auxiliary door stop required, by others.
4. Hold Open arms cannot be used on fire doors.
5. To obtain extra closing force, add 3 (76) to dimensions marked by an asterisk (\*). This will not meet ADA and limit degree of opening to 110° depending on arm adjustment.
6. Astrisk (\*) dimensions apply to centerline of hinges, offset pivots, or center pivots.

**MOUNTING SCREW SPECIFICATIONS**  
ARM AND QUIK-INSTALL™ BRACKET

#12-14 self-drilling screw.  
1/8 (3) diameter pilot hole } or { Sex nuts, furnished  
required for Wood } when ordered  
Applications.



**RESPONSIBILITY**

Door and Frame Manufacturers are responsible for providing adequate construction or reinforcements for proper installation of hardware shown. All architectural builders hardware must be installed on properly reinforced doors and frames, regardless of the type, material, or method of construction.

**DC8200 Series**

Regular Arm Mounted  
Surface Door Closer  
(with or without A1)



**ASSA ABLOY**

www.corbinrusswin.com

Do Not Scale Drawing

Supersedes \_\_\_\_\_ Dr. \_\_\_\_\_ App. \_\_\_\_\_

Date 04-08 Template Number T31067