

MOUNTING INFORMATION

Sex nuts or through bolts are required for wood and plastic covered composite doors, and any type of door without reinforcements and recommended for wood core and metal clad (Kalamein) type doors.

RH SHOWN
LH OPPOSITE

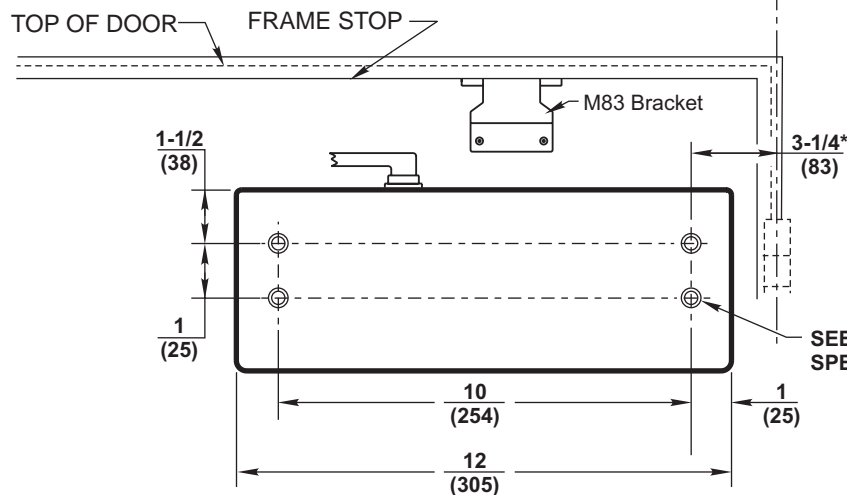
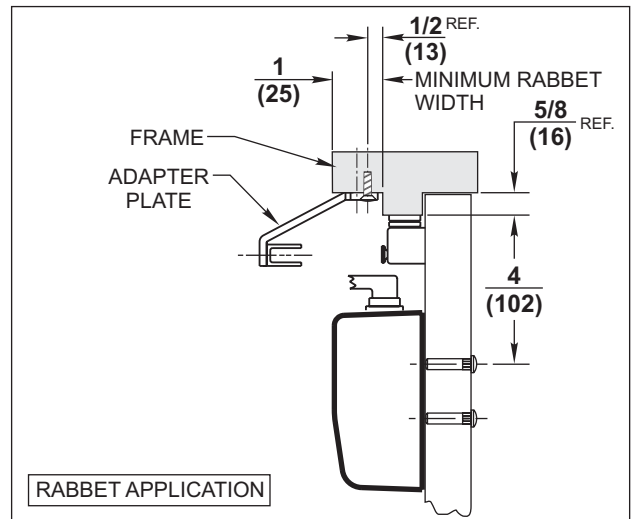
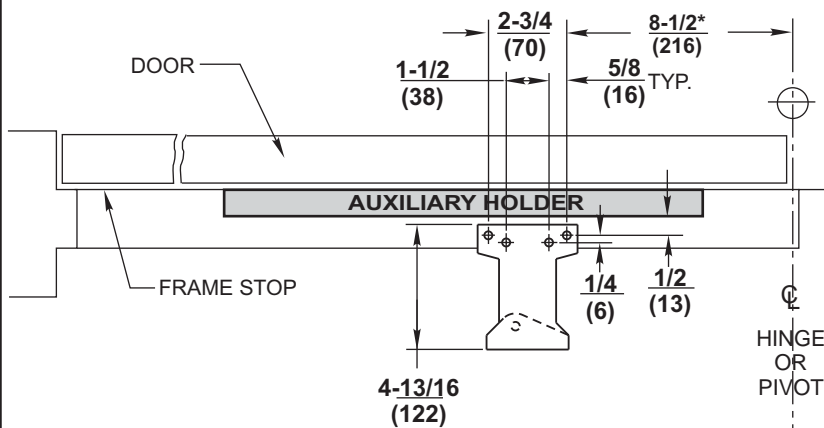
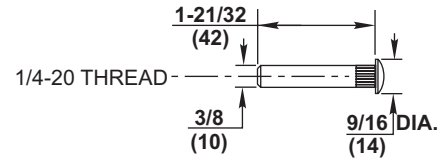
CAUTION: Closer To Be Installed In A True Horizontal Position To Ensure Proper Closer Performance.

NOTES:

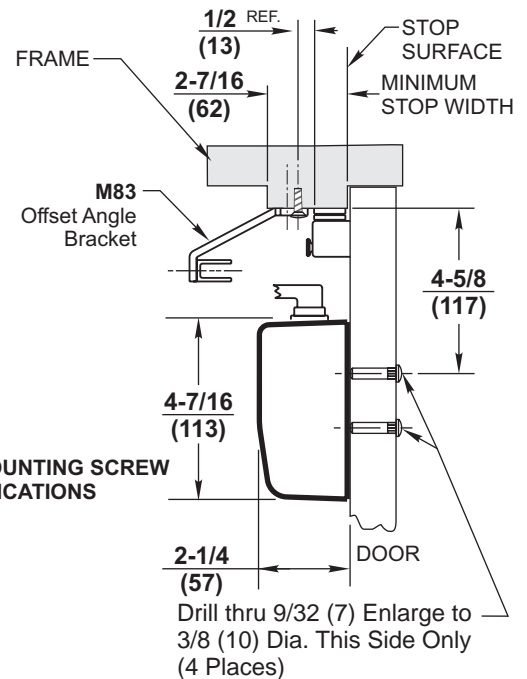
1. Dimensions given in inches and (mm).
2. Minimum Top Rail: 6-3/4 (171)
Minimum Top Rail (Rabbet Application): 6-1/8 (156).
3. 130° to 150° maximum door opening depending on arm adjustment.
NOTE: Overhead stop will limit door opening to 110°.
4. To obtain extra closing force, add 3" (76) to dimensions marked by asterisk (*). This will limit degree of opening to 90° to 95° depending

MOUNTING SCREW SPECIFICATIONS
M83 OFFSET BRACKET & QUIK-INSTALL™ BRACKET

#12-14 self-drilling screw.
1/8 (3) diameter pilot hole } or { Sex nuts, furnished
required for Wood } Applications.
required for Wood } Applications.



SEE MOUNTING SCREW SPECIFICATIONS



RESPONSIBILITY

Door and Frame Manufacturers are responsible for providing adequate construction or reinforcements for proper installation of hardware shown. All architectural builders hardware must be installed on properly reinforced doors and frames, regardless of the type, material, or method of construction.

DC8210 Series x M83

Surface Door Closer
Parallel Arm Mounting
By M83 Offset Angle Bracket
for Use With Auxiliary Stops



ASSA ABLOY

www.corbinrusswin.com

Do Not Scale Drawing

Supersedes _____ Dr. _____ App. _____

Date 04-08 Template Number T31050