

MOUNTING INFORMATION

Sex nuts or through bolts are required for wood and plastic covered composite doors, and any type of door without reinforcements and recommended for wood core and metal clad (Kalamein) type doors.

RH SHOWN
LH OPPOSITE

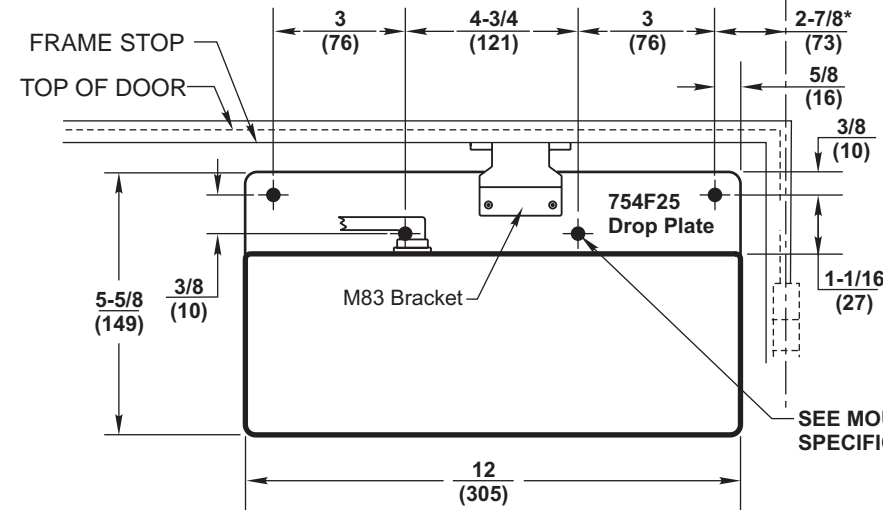
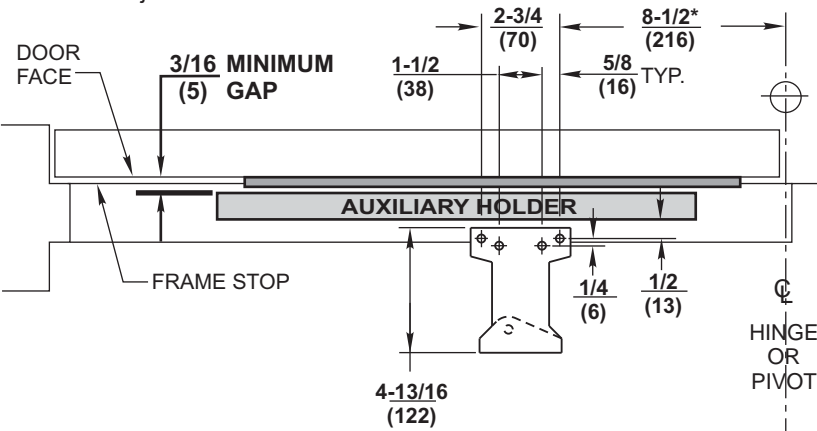
CAUTION: Closer To Be Installed In A True Horizontal Position To Ensure Proper Closer Performance.

IMPORTANT!

Auxiliary Holders must be mounted at least 3/16" (5mm) from the face of the door to use the 754F25 drop plate!

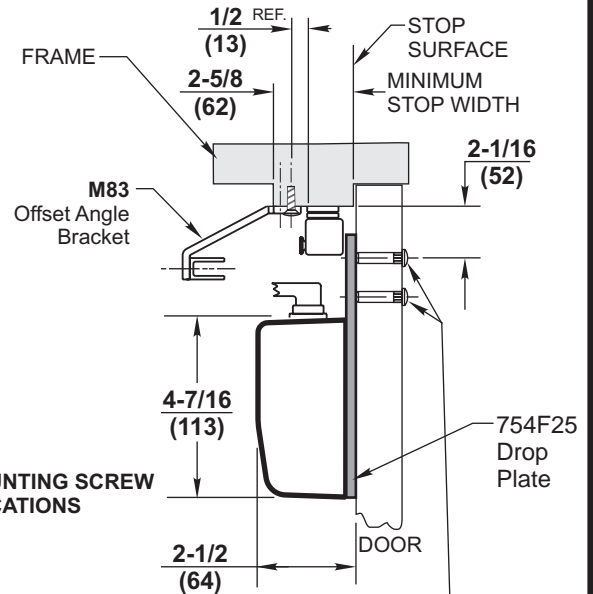
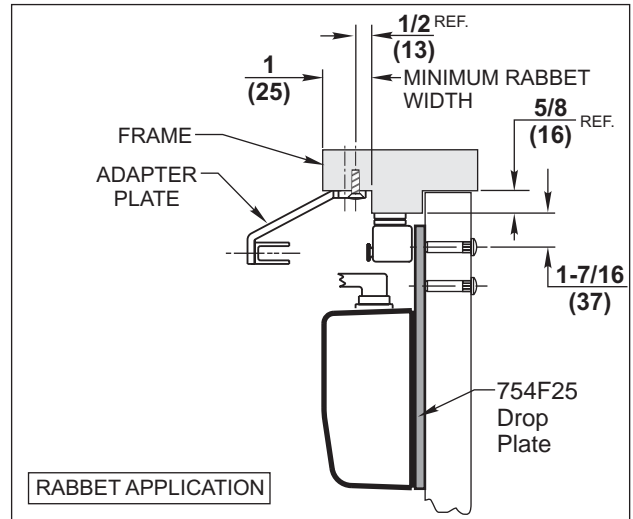
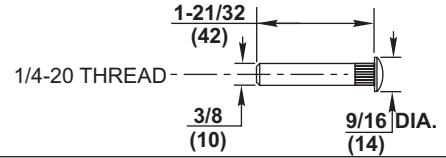
NOTES:

1. Dimensions given in inches and (mm).
2. Minimum Top Rail: 4-1/8 (105)
Minimum Top Rail (Rabbit Application): 3-1/2 (89)
3. 130° to 150° maximum door opening depending on arm adjustment.
NOTE: Overhead stop will limit door opening to 110°.
4. To obtain extra closing force, add 3" (76) to dimensions marked by asterisk (*). This will limit degree of opening to 90° to 95° depending on arm adjustment.



MOUNTING SCREW SPECIFICATIONS
M83 OFFSET BRACKET AND 754F25 DROP PLATE

#12-14 self-drilling screw. } or { Sex nuts, furnished required for Wood } when ordered Applications.



Drill thru 9/32 (7) Enlarge to 3/8 (10) Dia. This Side Only (4 Places)



RESPONSIBILITY

Door and Frame Manufacturers are responsible for providing adequate construction or reinforcements for proper installation of hardware shown. All architectural builders hardware must be installed on properly reinforced doors and frames, regardless of the type, material, or method of construction.

DC8210 Series x M83 x 754F25

Parallel Arm Mounted Surface Door Closer with 754F25 Drop Plate by M83 Offset Angle Bracket for Use With Auxiliary Stops



ASSA ABLOY

www.corbinrusswin.com

Do Not Scale Drawing

Supersedes _____ Dr. _____ App. _____

Date 04-08 Template Number T31051